



S7000 Series Sliding Door Roller

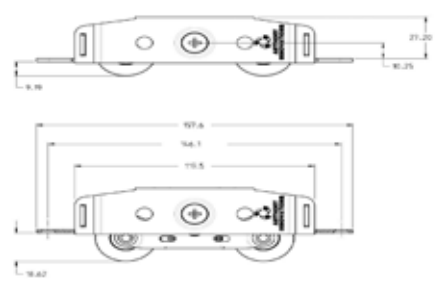
The S7000 series is the latest edition of rollers on offer for the timber door market. Built with high grade sealed precision bearings, these rollers are manufactured to go the distance. This improved design offers less rolling resistance which results in effortless operation.

Comes with:
10 year warranty for peace of mind.

The confidence of product testing to 50,000 cycles with a 200kg panel weight.



Part No.	Description	Load
AI-S7000DGA	Plated Steel Carriage, Chrome Steel Bearing	100 Kg
AI-S7000DPA	Plated Steel Carriage, Chrome Steel Bearing	100 Kg
AI-S7000DNA	Plated Steel Carriage, Chrome Steel Bearing	80 Kg
<hr/>		
AI-SS7000DSGA	Stainless Steel Carriage, Stainless Steel Bearing	100 Kg
AI-SS7000DSPA	Stainless Steel Carriage, Stainless Steel Bearing	100 Kg
AI-SS7000DSNA	Stainless Steel Carriage, Stainless Steel Bearing	80 Kg



Timber



Aluminium



Sliding

SS2400 Series Eurogroove Roller



Anti-corrosive components
Dual wheel bogey
5mm of adjustment

Part number: SS2400DSNA
Load Capacity (per assembly): 60 kg



Timber



Aluminium



Sliding



Adjustable Top Hung

- Assembly to suit Alcan 200 Series Sliding Door System -

Part No.	Description	Load
JPR-JP1020	Adjustable Top Hung Roller	100 Kg



Aluminium



Sliding



Heavy Duty Bottom Roller

Part No.	Description
JPR-JP1021	H/Duty Bottom Roller



Aluminium



Sliding



Truth Super Heavy Duty Adjustable Door Roller

- The Truth Hardware super heavy duty door roller is clearly a class above all competition. The truth design offers a smoother, easier, operation with the capacity to carry doors up to 270KG. Designed for wasy installation and trouble free service These rollers are heat treated for wear resistance and plated for corrosion resistance.

Part No.	Carriage	Wheel	Load
T-38.09.00.050	S/S	S/S	270 Kg (Per Pair)

Truth Heavy Duty Adjustable Door Roller

- Designed for easy installation and trouble-free service, these high quality radial ball bearing-equipped rollers encompass Truth Hardware's unique advantage in that they manufacture our own ball bearings. These rollers are then heat treated for wear resistance and plated for corrosion resistance. This method provides the longest lasting true running rollers capable of carrying the heaviest loads. You can dependably support up to a 182 KG door with two roller assemblies per door (nylon wheels rated up to a 114KG door)

Part No.	Carriage	Wheel	Load
T-39-13-00	Steel	S/S	182 Kg (Per Pair)
T-39-10-00	Steel	Steel	182 Kg (Per Pair)
T-39-11-00	Steel	Nylon	114 Kg (Per Pair)



Timber



Aluminium



uPVC



Sliding



AI 9000 Series Tandem Sliding Door Roller

• The N9000 series compound carriage's unique designs allows for longer life due to it's corrosion resistant properties, high impact absorption and greater structural integrity. Ease of adjustment under load means simpler and quicker installation. This product being of Australian design and manufacture is assured by our 10 year Warranty.

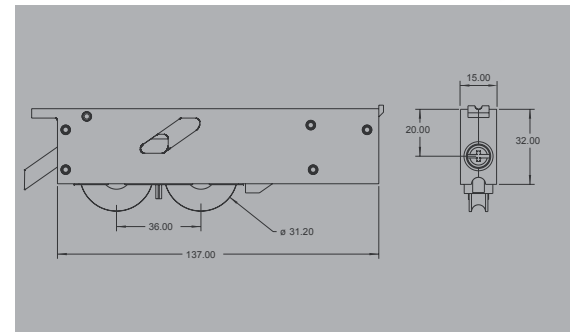
Features

Adjustable under load, Smooth operation, Equal distribution of weight, Non corrosive adjustment mechanism, 10 year warranty, Industry leading bearing, Advanced tyre compound

Specification

Height adjustment: 12 mm\carriage height: 33mm

Single wheel product also available



Part No.	Corrosion Res	Tyre	Load
AI-N9017DSGD	Anti Corrosive	S/S	100 Kg
AI-N9017DSNA	Anti Corrosive	Acetal	80 Kg
AI-N9017DSND	Anti Corrosive	Acetal	50 Kg
AI-N9017DNA	Standard	Acetal	80 Kg
AI-N9017DND	Standard	Acetal	50 Kg
AI-N9017DSPA	Anti Corrosive	Acetal	100 Kg
AI-N9017DPA	Standard	Acetal	100 Kg



Timber



Aluminium



Sliding

Mammoth 7000 series Twin Wheel Door Rollers

• The 7000 series by Mammoth. A High performance door roller, using twin 36mm wheels This patented design has a 25% reduction in operating force, over other systems with 32mm wheels. These bigger, double sealed, stainless steel wheels, are riveted to a Stainless Steel inner carriage for ultimate strength. Combined with an engineered reinforced polymer outer carriage that is custom designed to the suit the aluminum door styles, results in a class leading roller that will outlast and outperform any others on the market.

New Captive Screw Adjustment

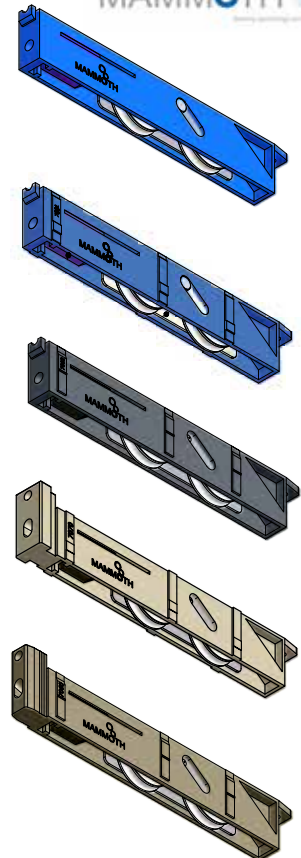
Bigger Wheels- Easier To Roll

Load Capacity To 240Kg Doors

Available With Plastic Or Stainless Steel Tyres

Easily Customised To Suit Any Extrusion

10 Year Guarantee



Part No.	Corrosion Res	Tyre	Load
JPR-45-7000 SNG	Anti Corrosive	Plastic Tyre	90 Kg
JPR-45-7000 SSG	Anti Corrosive	S/S Tyre	120 Kg
JPR-45-7001 SNG	Anti Corrosive	Plastic Tyre	90 Kg
JPR-45-7001 SSG	Anti Corrosive	S/S Tyre	120 Kg



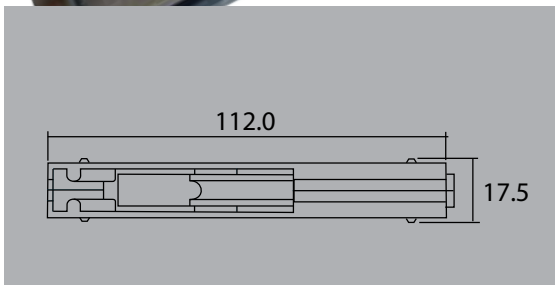
Timber



Aluminium



Sliding



AI Single Roller Adjustable

• The N5000 series compound carriage's unique design allows for longer life due to its corrosion resistant properties and greater structural integrity. Ease of adjustment under load means simpler and quicker installation. This product being of Australian design and manufacture is assured by our 10 year Warranty.

Part No.	Outer	Inner	Balls	Load
AI-N5001SF	Acetal	Nylon	S/S	25 Kg
AI-N5001ND	Acetal	Nylon	Steel	25 Kg
AI-N5001SND	Acetal	Nylon	S/S	25 Kg
AI-N5001SGD	S/S	Nylon	S/S	50 Kg
AI-N5201NA	Acetal	Nylon	Steel	40 Kg
AI-N5001SNA	S/S	Nylon	Steel	40 Kg



Timber



Aluminium



uPVC



Sliding



AI SS10000 Series Quad Sliding Door Roller

• Capable of moving 400kg panels, this product is in a league of its own. The 4 wheel roller assembly equally distributes the weight across each wheel ensuring less resistance, smoother operation, and limits track wear. With all stainless steel components this product provides the ultimate corrosion resistance.

- 10 year warranty for peace of mind.
- The confidence of product testing to 50,000 cycles and capable of moving 400kg panel weights.

Part No.	Outer	Inner	Balls	Load
AI-SS10000DSGA	Stainless Steel	Stainless Steel	Stainless Steel	200 Kg
AI-SS10000DSPA	Stainless Steel	Engineered Plastic	Stainless Steel	200 Kg



Timber



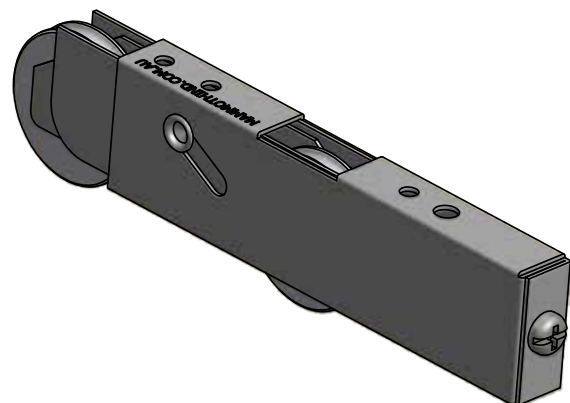
Aluminium



uPVC



Sliding



Heavy Duty Tandem Roller

Part No.	Description	Load
JPR-45-7550-SNG	Stainless Steel Body & Tyre	150 Kg



Timber



Aluminium



Sliding

Adjustable Sliding Door Roller

Part No.	Wheel	Load
AI-SS35NA	Stainless Steel Carriage Nylon Tyre Precision Bearing	60 Kg



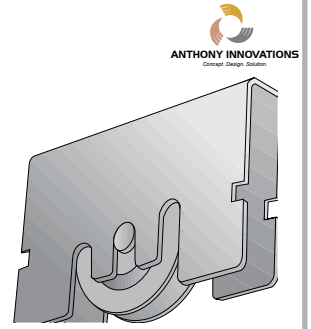
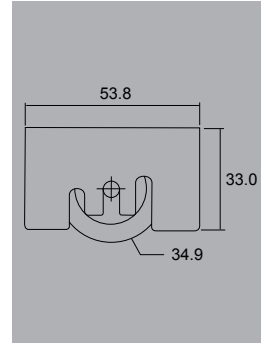
Timber



Aluminium



Sliding



ANTHONY INNOVATIONS
Concept Design Solution

Adjustable Door Roller

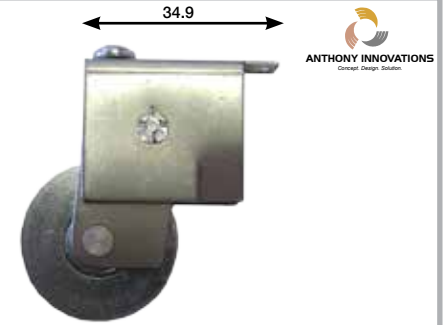
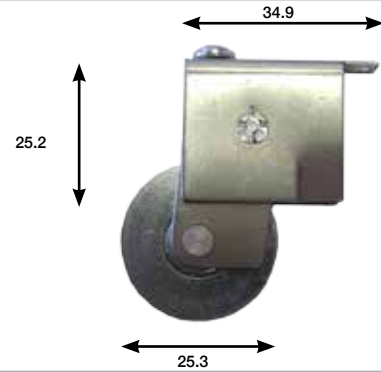
Part No.	Wheel	Load
AI-SS186GL	Steel Carriage Stainless Steel Tyre	25 Kg



Timber



Aluminium



ANTHONY INNOVATIONS
Concept Design Solution

Bottom Roller

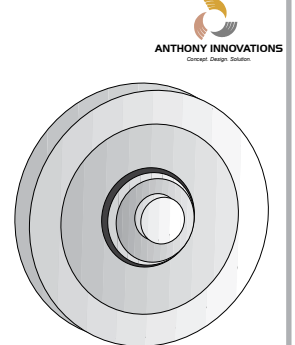
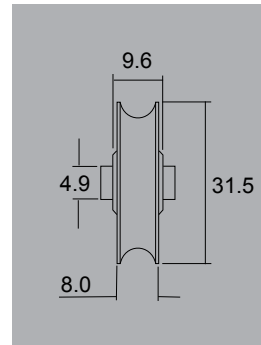
Part No.	Wheel	Load
AI-Z-ND3208	Steel Bearings Plastic Tyre C/W Axle	25 Kg



Timber



Aluminium



ANTHONY INNOVATIONS
Concept Design Solution

Non-Adjustable Steel Door Roller

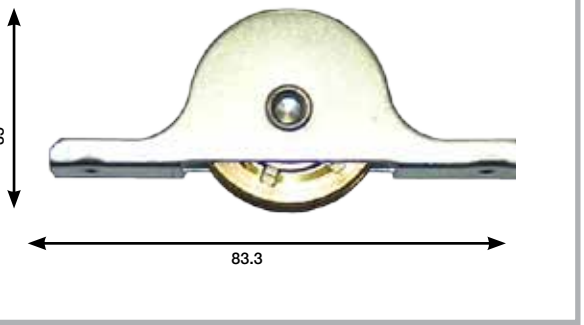
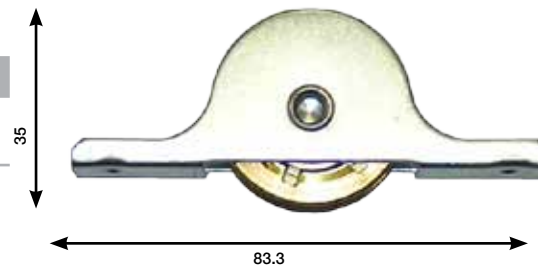
Part No.	Wheel	Load
JPR-JP1008	Non Adjustable Roller Assembly Steel Carriage Brass Roller	30 Kg



Timber



Sliding



ANTHONY INNOVATIONS
Concept Design Solution

Adjustable Steel Carriage

Part No.	Wheel	Load
AI-Z-S53500BA	Stainless carriage, Brass Tyred With Precision Bearing	100 Kg



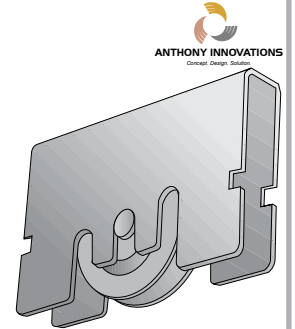
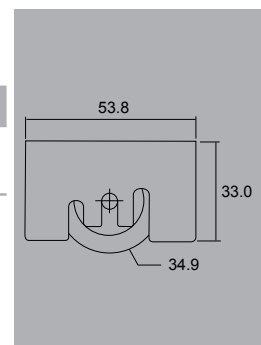
Timber



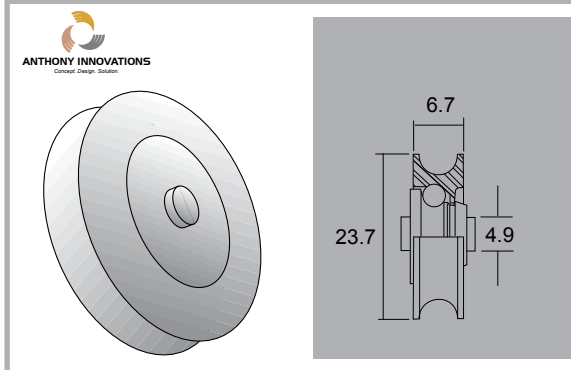
Aluminium



Sliding



ANTHONY INNOVATIONS
Concept Design Solution



Light Duty Roller

Part No.	Wheel	Load
AI-SJ2404	Plastic Wheel, Anti-Corrosive	12 Kg



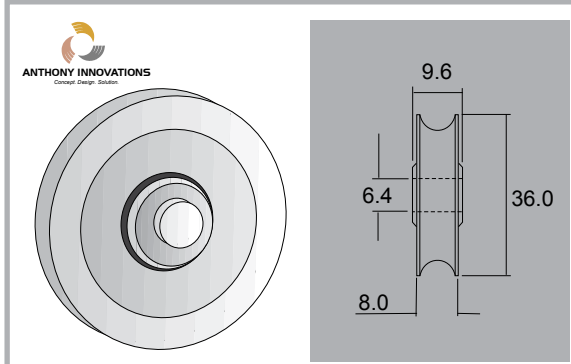
Timber



Aluminium



Sliding



Bottom Roller

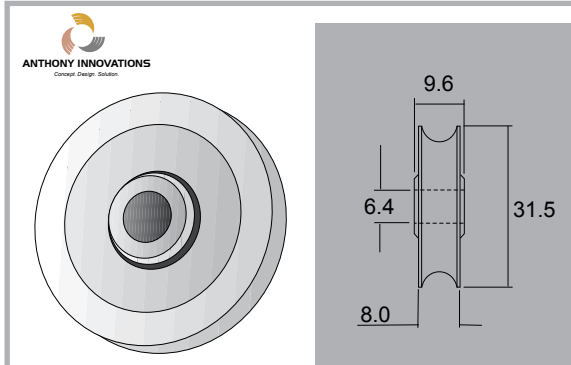
Part No.	Wheel	Load
AI-Z-ND3607	Steel Bearing Plastic Tyre - C/W Axle	35 Kg



Timber



Aluminium



Bottom Roller

Part No.	Wheel	Load
AI-Z-ND3201	Steel Bearing Plastic Tyre - No Axle	25 Kg



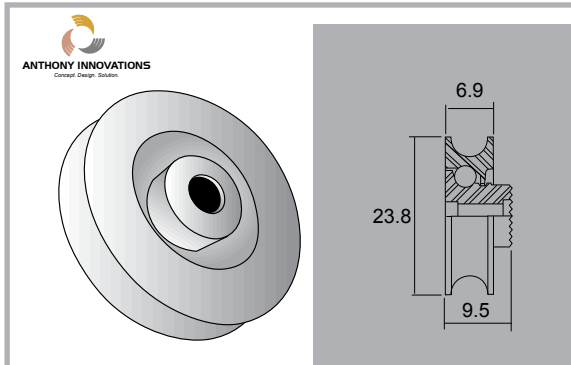
Timber



Aluminium



Sliding



Light Duty Roller

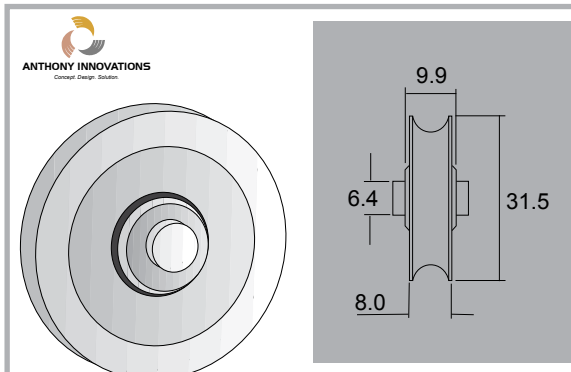
Part No.	Wheel	Load
AI-SJ2401	Plastic Inner	12 Kg



Timber



Aluminium



Bottom Roller

Part No.	Wheel	Load
AI-Z-ND3200	Acetal Wheel, Steel Bearing	25 Kg



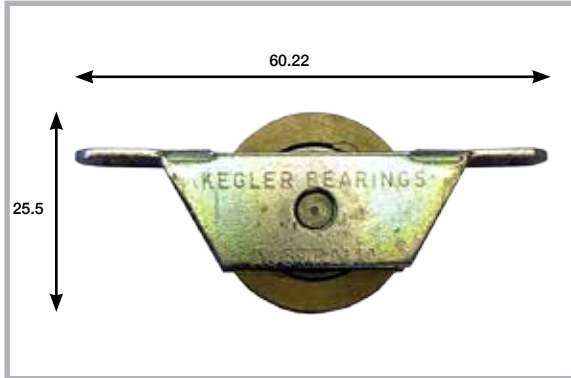
Timber



Aluminium



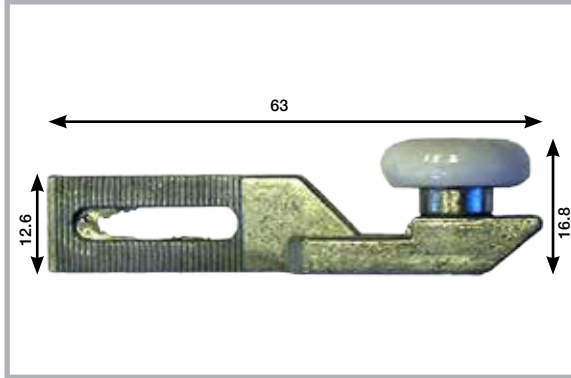
Sliding



Fly Door Roller

Part No.	Wheel	Load
KI-300-10	Steel Carriage Brass Roller	20 Kg

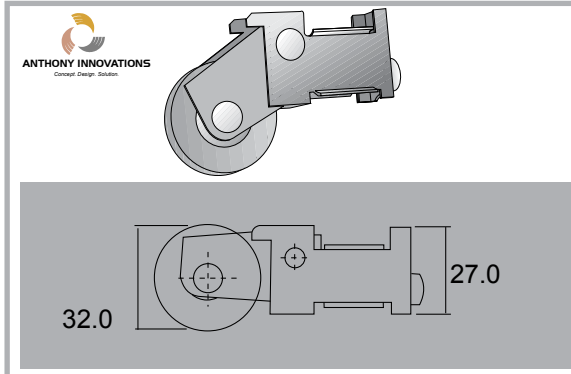
- Timber
- Sliding



Adjustable Overhead Flydoor Roller

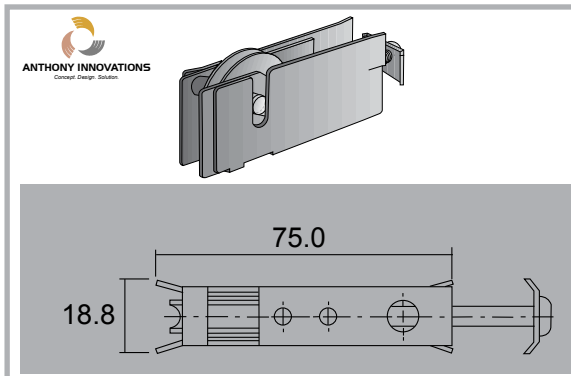
Part No.	Wheel	Load
KI-9-205-10		11 Kg

- Timber
- Aluminium
- Sliding



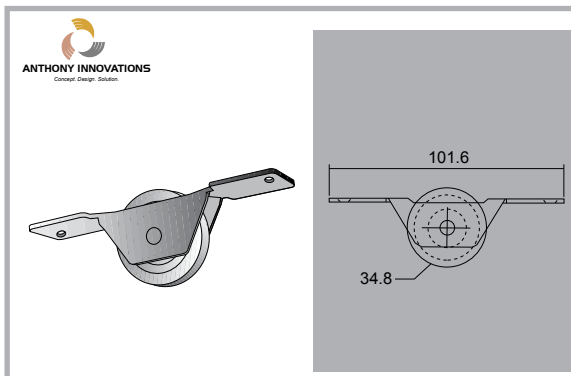
Part No.	Wheel	Load
AI-Z-S20NDS	Steel Bearing Plastic Tyre C/W Axle	25 Kg

- Timber
- Aluminium
- Sliding



Part No.	Wheel	Load
AI-S3225ND	Adjustable Roller Steel Carriage and Plastic Tyre	30 Kg

- Timber
- Aluminium
- Sliding



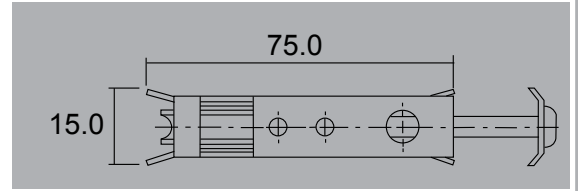
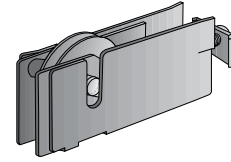
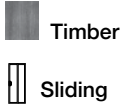
Sliding Door Roller Assembly

Part No.	Wheel	Load
AI-Z-S35BD	Steel Carriage Brass Tyre	100 Kg

- Timber
- Sliding

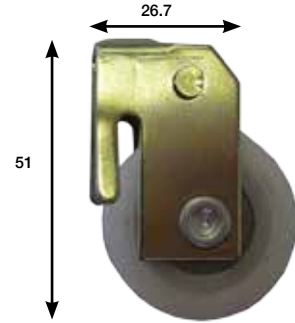
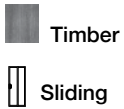
Adjustable Sliding Door Roller

Part No.	Wheel	Load
AI-Z-A328ND	Aluminum Carriage - Nylon Tyre	25 Kg
JPR-S328ND	Steel Carriage - Nylon Tyre	25 Kg



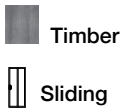
Sliding Door Adjustable Roller

Part No.	Wheel	Load
AI-S371ND	Steel Carriage Nylon Tyre	12 Kg



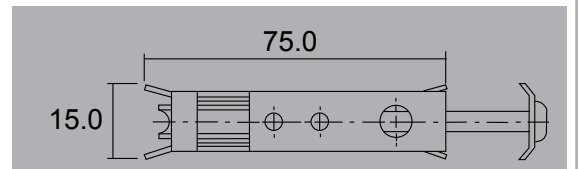
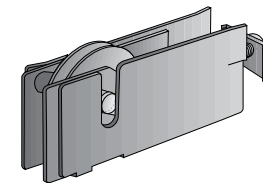
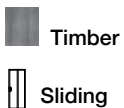
Sliding Door Roller Assembly

Part No.	Wheel	Load
AI -N36CA	Plastic Carriage Nylon Tyre	25 Kg

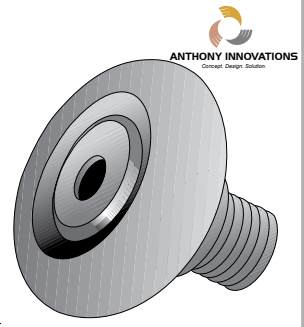
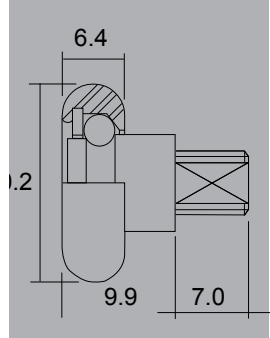



Adjustable Door Roller

Part No.	Wheel	Load
JPR--S324-BD	Steel Carriage Brass Wheel	35 Kg
AI--S324-BD	Aluminium Carriage Brass Wheel	35 Kg



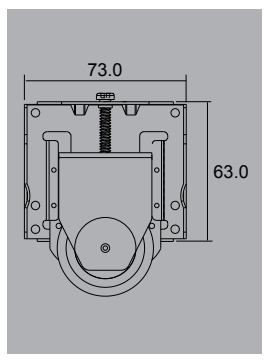
Part No.	Wheel	Load
AI-ND2001	Light Duty ND Bearings Plastic Radius Outer Solid Inner	15 Kg



-  Timber
-  Aluminium
-  uPVC
-  Wardrobe

Wardrobe Roller

Part No.	Wheel	Load
JPR-WARDROLL	JPH Wardrobe Roller	30 Kg
AI-Z-S4301NA	Kwikrobe - Wardrobe Roller	30 Kg



-  Aluminium



Kwikfit Security Door Roller

9.5mm height adjustment under load, No Drilling, No Riveting, Fits in less than 10 seconds, Improves productivity, Corrosion resistant materials, 10 year warranty, Australian Made, Full adjustment in one clockwise revolution, Superior glass fibre reinforced nylon housing, Engineered plastic to reduce noise, Industry leading bearing, Advanced tyre compound, Full stainless ball complement.

Part No.	Wheel	Load
AI-KF3200SF	AusFit Anti Corrosive	20 Kg
AI-KF3200NA	AusFit Steel Bearing	20 Kg
AI-GKF3200SF	KwikFit Anti Corrosive	25 Kg
AI-GKF3200SGA	KwikFit Stainless Steel Wheel	25 Kg



Aluminium



Security Door



KLIK2FIT Security Door Roller

Click 2 Fit's unique patented construction offers extreme durability and easy adjustment. The carriage assembly is completely corrosion free and combined with our superior wheels Click 2 fits gives the greatest corrosion and load capacities available in Australia Available with 2 wheel option -

Corrosion Guard (standard wheel)

Max Guard - Stainless Steel Wheel for maximum protection. Ask you JP Representative for ordering information.

Part No.	Wheel	Load
JPR-KLIK2FIT	KLIK2FIT Security Door Roller	20 Kg



Aluminium



Cornerstake Security Door Roller

Part No.	Wheel	Load
AI-N2466SJ-G	30.2mm x 34mm flydoor cornerstake with plastic wheel	15 Kg
AI-N2467SJ	42mm x 16mm flydoor cornerstake	15 Kg



Aluminium



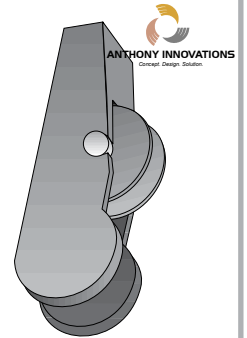
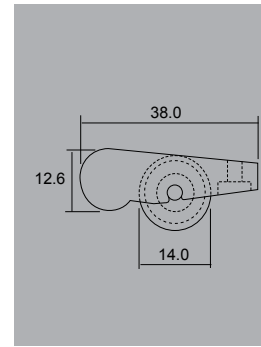
Security Door

Adjustable Sliding Window Roller

Part No.	Wheel	Load
JPR-45-140-SG	Sliding Window Showcase Roller -Stainless Tyre	12 Kg
AI-N1408SGL	Sliding Window Showcase Roller -Stainless Tyre	12 Kg

Aluminium

Sliding



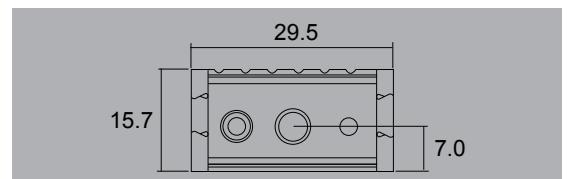
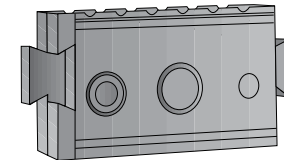
Interlocking Sliding Window Assembly

Part No.	Wheel	Load
AI-N800C		8 Kg

Timber

Aluminium

Sliding

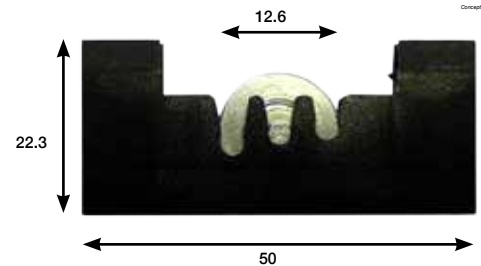


Part No.	Wheel	Load
AI-N1600GL	Plastic Tyre	12 Kg

Timber

Aluminium

Sliding

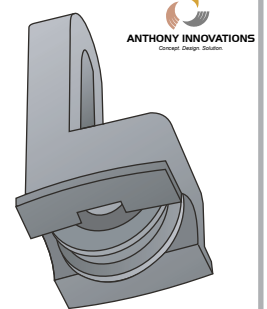
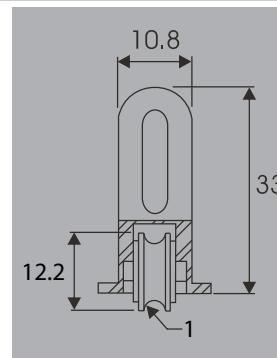


Part No.	Wheel	Load
AI-N1203N	Roller and carr for s/alum window	10 Kg

Timber

Aluminium

Sliding

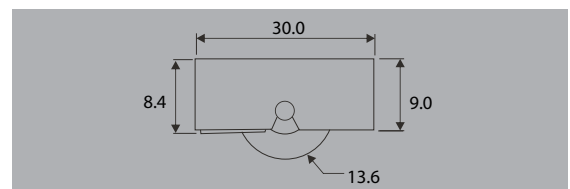
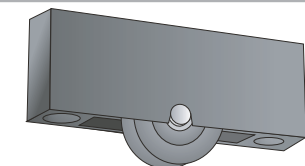


Part No.	Wheel	Load
AI-N1409N	Sliding Window Roller - Brass Pin, Plastic Wheel	12 Kg

Timber

Aluminium

Sliding





1600 Series Tandem Window Roller

5.5mm adjustment under load
 Anti corrosive properties
 Bogey carriage design
 Patented adjustment
 Australian designed and manufactured
 Tested and proven



Part No.	Wheel	Load
AI-SN1600IR	TWR 1600 Tandem Window Roller - Platic Tyre	22 Kg
AI-SN1600SGA	TWR 1600 Tandem Window Roller - S/S Tyre	22 Kg



Timber



Aluminium



Sliding

Adjustable Sash Roller



Part No.	Wheel	Load
KI-9-405-10	Steel Carriage Nylon Tyre	20 Kg
KI-9-405-13	Steel Carriage Brass Tyre	20 Kg



Timber



Aluminium



Sliding

N1600 Series Dual Wheel Window roller

Anti-corrosive components
 Dual wheel bogey
 Multiple mounting positions
 5mm of adjustment

Part number: N1600N
 Load Capacity (per assembly): 22 kg



Timber



Aluminium

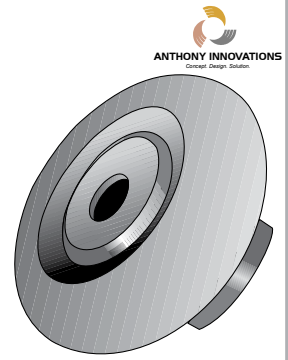
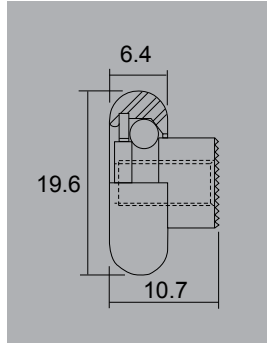


Sliding

ROLLERS SHOWERSCREEN

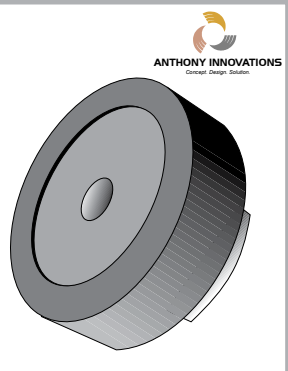
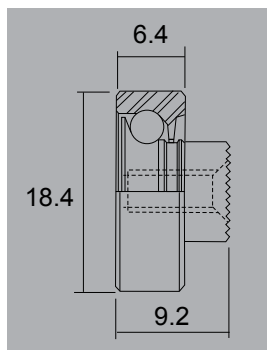


Part No.	Wheel	Load
AI-ND1918	Plastic Tyre	15 Kg



 Shower Screen

Part No.	Wheel	Load
AI-NJ196G	Shower Screen/ Light Duty Roller Plastic Flat Outer Solid Inner	12 Kg



 Shower Screen

