



JP HARDWARE SUPPLIES

www.jphardware.com.au



PRODUCT CATALOGUE

Content Description	Page
WINDOW SYSTEMS	
Truth Hardware Systems	1.1
Skylight Operator	1.5
Balance System	1.10
Counter Balanced System	1.13
Louvres System	1.16

WINDOW HARDWARE	
Window Operators	2.1
Chainwinder Bracket	2.2
Truth Hardware Systems	2.3
Electric Window Operators	2.4
Window Stays	2.5
Limit Devices	2.15
Sash Locks	2.16
Sash Lifts	2.24
Brass Hardware	2.25

DOOR SYSTEMS	
Brio Weatherfold Doors & Screens	3.1
Sliding Straight System	3.5
Sliding Partion System	3.7

DOOR HARDWARE	
Hinged Door Closers	4.1
Commercial Locksets	4.13
Commercial Handles	4.22
Commercial Patch Fittings	4.26
Electric Strike	4.27
Domestic Locksets	4.28
Domestic Handles	4.34
Bi-Fold Locksets	4.40
Cylinders	4.41
Hinges	4.44
Sliding Door Locks	4.48
Sliding Door Closers	4.53
Sliding Door Extrusion	4.54
Sliding Door Capping Track	4.58
Panic Device	4.60
Bolts	4.61
Door Stops	4.64

Content Description	Page
Flush Pulls	4.65
P.V.C Products	4.66
Door Spigots	4.68
Toilet Accessories	4.69

ROLLERS	
Door	5.1
Wardrobe	5.11
Security Door	5.12
Window	5.13
Showerscreen	5.15

SEALS	
Pile Weatherstrip	6.1
Schlegel Aquamac	6.4
Raven Seal	6.5

SILICONE	
Silicone	7.1
Adhesive	7.4

SHOWCASE SYSTEM	
Extrusions	8.1
Accessories	8.2

FASTERNERS	
Screws	9.1
Rivits	9.4

GENERAL HARDWARE	
Mesh	10.1
Touch Up Paint	10.3
Protection	10.4

TAPE	
General	11.1

WINDOW SYSTEMS

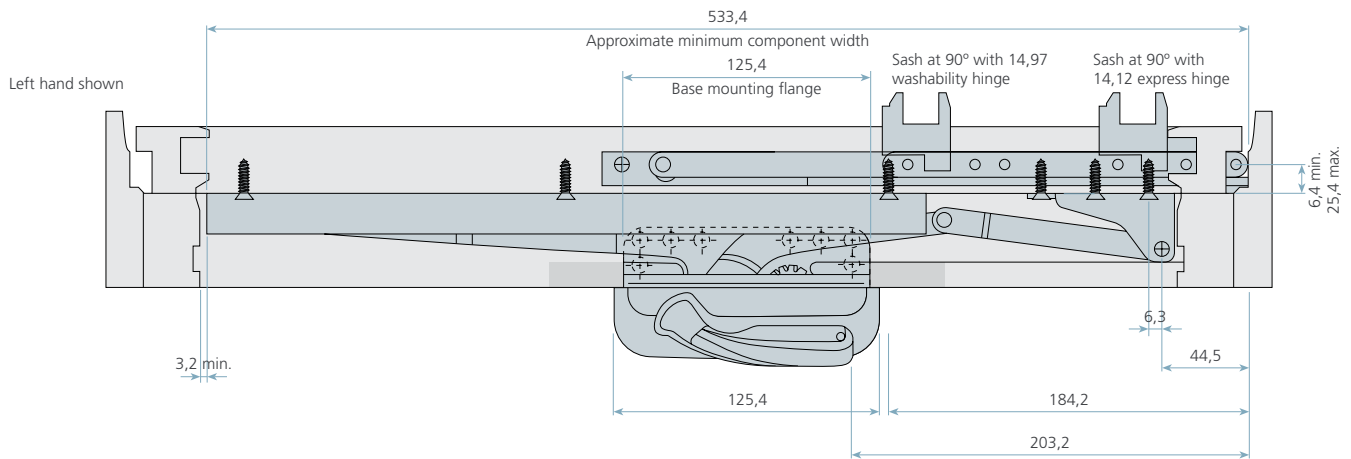
TRUTH HARDWARE SYSTEMS



Truth Encore™ Dual Arm Operator



- Superior strength and performance combined with the flexibility of a snap fit cover and streamlined full-lip folding handle
- 33% less effort to operate than previous operators
- Operates sash sizes of 550 mm to 1000 mm wide and 2100 mm high
- Suitable for sash weights of up to 45 kg
- Provides up to 90° opening
- Provides over 177 mm of washability with the standard casement hinge
- Fully operable with fly screens
- Stainless steel available for coastal locations
- This product is covered by Truth's lifetime mechanical warranty.



Truth Encore™ Dual Arm Operator Components Part List



Casement - Left Hand



Casement - Right Hand

Part Number	Description	Part Number
T-50.10.00.211	Truth Encore™ Dual Arm Operator	T-50.10.00.212
T-11576.93	Encore Casement Track & Slider	T-11576.93
T-14691.93	Encore Stud Bracket	T-14690.93
T-12614.●●	Encore Handle & Cover See Page 1.6 for Truth Hardware Colour Chart	T-12616.●●

Contact your JP Hardware Representative for ordering information on the Encore Dual Arm Stainless Steel options.



Truth Encore™ Dyad Operator

- Superior strength and performance combined with the flexibility of a snap fit cover and streamlined full-lip folding handle
- 33% less effort to operate than previous operators
- Operates sash sizes of 350 mm to 700 mm wide and 1800 mm high
- Suitable for sash weights of up to 25 kg
- Provides up to 90° opening
- Provides over 177 mm of washability with the standard casement hinge
- Fully operable with fly screens
- Stainless steel available for coastal locations
- This product is covered by Truth's lifetime mechanical warranty.



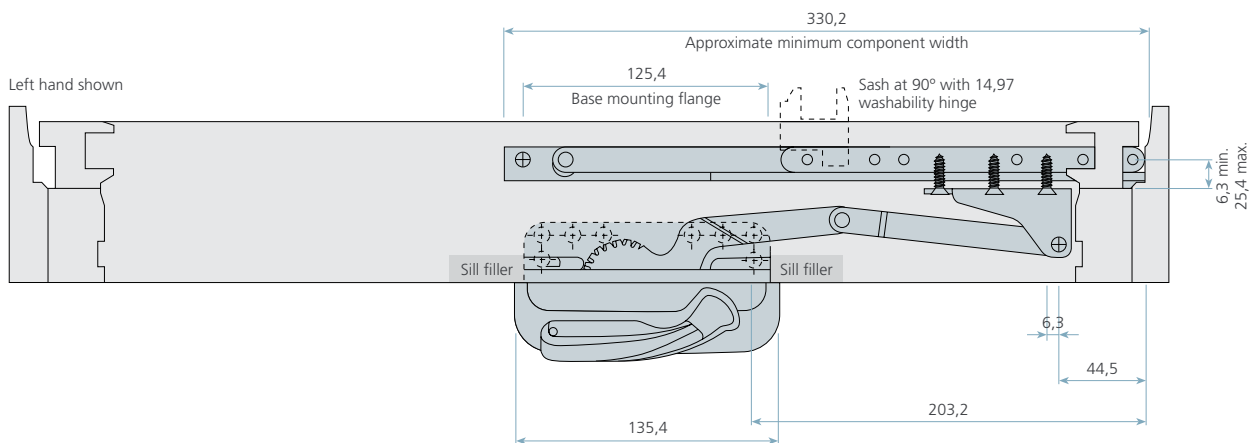
Timber



Aluminium



uPVC



Truth Encore™ Dyad Operator Components Part List



Casement - Left Hand



Casement - Right Hand

Part Number	Description	Part Number
T-50.60.00.211	Truth Encore™ Dual Arm Operator	T-50.60.00.212
T-14691.93	Encore Stud Bracket	T-14690.93
T-12614.●●	Encore Handle & Cover See Page 1.6 for Truth Hardware Colour Chart	T-12616.●●

Contact your JP Hardware Representative for ordering information on the Encore Dyad Stainless Steel options.

Truth Encore™ Single Arm Operator



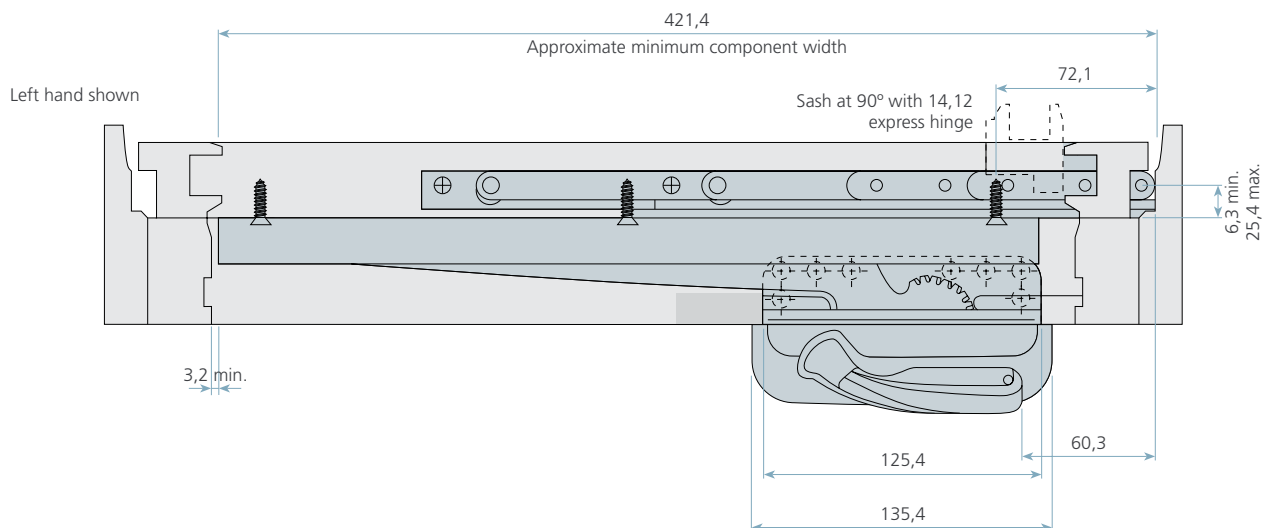
- Uniquely designed for round top, half round, trapezoid, garden and octagon windows and windows that require butt hinges
- Operates sash sizes of 420 mm to 700 mm wide and 1800 mm high (sash size of 300 mm to 419 mm possible with a 'short' single arm operator*)
- Suitable for sash weights of up to 30 kg
- Provides up to 90° opening
- Fully operable with fly screens
- Stainless steel available for coastal locations
- This product is covered by Truth's lifetime mechanical warranty



Timber



uPVC



Truth Encore™ Dual Arm Operator Components Part List



Casement - Left Hand



Casement - Right Hand

Part Number	Description	Part Number
T-52.11.00.211	Truth Encore™ Dual Arm Operator	T-52.11.00.212
T-11576.93	Encore Casement Track & Slider	T-11576.93
T-12614.●●	Encore Handle & Cover See Page 1.6 for Truth Hardware Colour Chart	T-12616.●●

Contact your JP Hardware Representative for ordering information on the Encore Single Arm Stainless Steel options.



Truth Encore™ Awning Operator

- Allows for a uniformed look throughout the home on casements and awnings
- Provides for maximum opening (approx. 370 mm) combined with wide 'pull-in' connection to sash
- 33% less effort to operate than previous operators and 50% less than conventional chain winders
- Operates sash sizes of 550 mm to 1500 mm wide and 2100 mm high
- Suitable for sash weights of up to 130 kg when used with appropriate stay
- Fully operable with fly screens
- Stainless steel available for coastal locations
- This product is covered by Truth's lifetime mechanical warranty



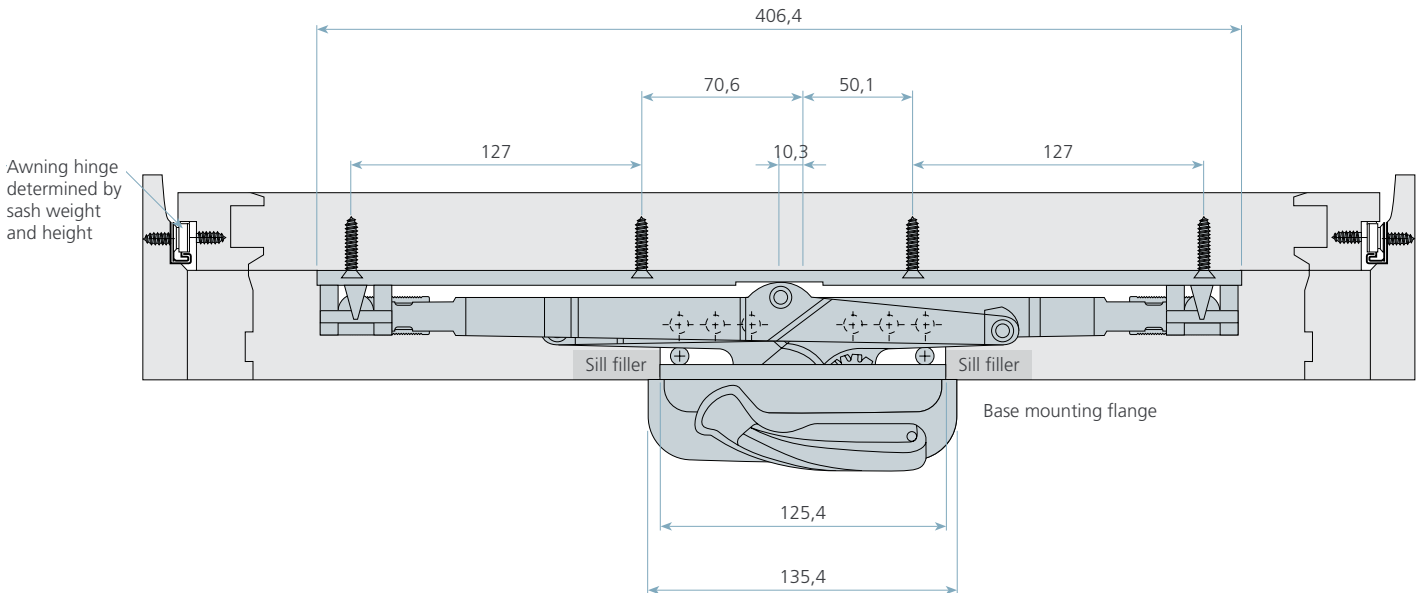
Timber



Aluminium



uPVC



Truth Encore™ Dyad Operator Components Part List



Awning

Part Number	Description
T-51.10.00.211	Truth Encore™ Awning Operator - E-Grad
T-11577.93	Encore Track Assembly
T-12614.●●	Encore Handle & Cover See Page 1.6 for Truth Hardware Colour Chart

Contact your JP Hardware Representative for ordering information on the Encore Awning Stainless Steel options.

Truth Skylight Operator



- Compatible with wood, metal or vinyl skylights, Manual Skylight Operators are easy to install, simple to use and can lift up to 140 lbs. with minimal effort. Strong plastic case liner keeps the chain and sprocket sliding smoothly, making windows easy to open
- Steel chain is detachable at the sash – ease of factory or field installations
- The sprocket and chain are made from hardened steel to provide years of continuous, chatter-free operation
- Electrostatically applied, durable coatings that provide excellent resistance to chipping, scratching and corrosion while maintaining colour stability for years in direct sunlight
- The worm gear is made from hardened steel for lasting service



Part No.	Description
T-42.65.●●	Truth Sklght Operator
T-10638	Pole
T-33604.●●	Universal with ring

Color Code	Description	Color Code	Description
01	Aluminium	32	White
02	Black	03	Bronze



Awning



Skylight



Skylight

Interlock Manual Skylight Operator

- The Interlock manual skylight operator provides an attractive and user-friendly option for opening and closing hinged roof and high windows. With a host of features and options, the system allows ventilation and convenience, flexibility and safety.

Part No.	Description
IN-P4550●	Interlock skylight operator includes 2 sash brackets & pin ,pole receiver & crank handle
IN-P4554	Interlock Skyop Pole

Color Code	Description	Color Code	Description
BLK	Black	WHT	White



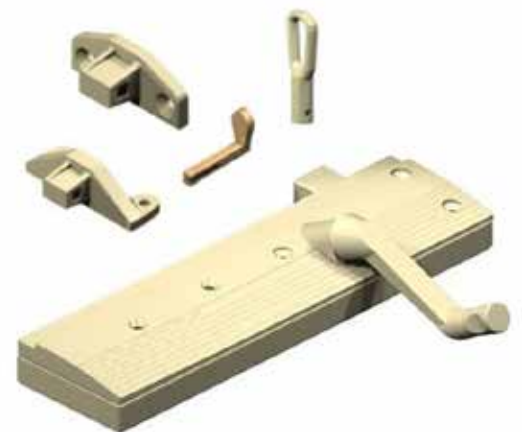
Timber



Aluminium



uPVC



Awning



Skylight



Skylight



COLOUR CHART



Aluminium
(01)



Black
(02)



Bronze
(03)



Beige
(24)



White
(32)

Decorative Finishes - Available on Request



Satin Nickel
(19)



Bright brass
(13)



Antique brass
(14)



Bright chrome
(35)



Oil rubbed bronze
(52)

The samples shown above are representative of Truth's colours They are not actual samples. Consult a JP Hardware Representative for an actual sample, and for information(stock/non-stock) on traditional and decorative colours.

Truth Homegard® Sash Lock

- Homegard Primary Sash Lock
A low profile sash lock, designed to be used with Truth's entire range of operators. It's positive lock in provides up to 125kgs of negative air pressure and forced entry resistance per lock. It is also fully operable with flyscreens. This product is covered by Truth's lifetime mechanical warranty.

- Homegard Secondary Sash Lock
Provides multi-point tandem locking when used in conjunction with Homegard Primary lock and a tie-bar. Ideal for Casement sashes over 1500mm in height

This product is covered by Truth's lifetime mechanical warranty.



Truth Maxim® Multi-point & Single Point Locking System

The new Maxim® Sash Latch complements and completes the already popular Maxim® System. Available in both multi-point and single-point versions, the Maxim® Sash Latch provides the most attractive, easiest operating, highest performing, best value in casement and awning window latching hardware.

This product is covered by Truth's lifetime mechanical warranty.

For more information on sash control devices please contact your JP Hardware Representative.



Truth Encore™ Multi-point Locking System

Providing trouble free operation with fully concealed locking and sequential engagement the Encore Multi-Point Locking System is the most complete locking system for casement and awning windows. The Encore Lock brings a number of new features unique to the window industry – including an option for securing round-top windows and a built-in construction handle which allows windows to be operable prior to painting or staining.

This product is covered by Truth's lifetime mechanical warranty.

For more information on sash control devices please contact your JP Hardware Representative.





Truth 13 Series Awning Hinge

- These hinges balance a sash as it opens for smooth effortless operation. It is recommended to match the size of the hinge to the height and weight of the sash. Proper selection can help prevent problems such as window chatter.



Part No.	Height x Width(Max)	Weight (Max)	Minimum Height	Hinge Length
T-13.13	355.6 mm x 1500mm	3.2 Kg.	254 mm	245 mm
T-13.14	482.6 mm x 1500mm	9.1 Kg.	355.6 mm	355 mm
T-13.15	660.4 mm x 1500mm	17.3 Kg.	482.6 mm	475 mm
T-13.16	863.6 mm x 1500mm	22.7 Kg	660.4 mm	558 mm
T-13.17	1066.8 mm x 1500mm	27.7 Kg	863.6 mm	660 mm



Awning



Truth 14 Series Casement Hinge

- These hinges balance a sash as it opens for smooth effortless operation. It is recommended to match the size of the hinge to the height and weight of the sash. Proper selection can help prevent problems such as window chatter.



Part No.	Height x Width(Max)	Weight (Max)	Minimum Width	Hinge Length
T-14.05	2100 mm x 813 mm	39 Kg.	305 mm	245 mm
T-14.97	2100 mm x 1016 mm	44 Kg.	305 mm	330.2 mm



Casement



Truth 34 Series Casement Hinge

- Throughout the industry the names Anderberg and Truth have stood for reliable engineering and production, as well as precision made products and excellent support services; but above all this, these names stand for quality. This is most evident in our expertly crafted 4-Bar Hinges



Casement

Truth Sash Control Device



LIMIT DEVICES: Two different varieties of Limit Devices are available. When properly installed and operated, the Limit Device will help prevent damage to casement and awning windows under high winds in high-rise applications. Two different methods of disconnecting the Limit Device from the sash for cleaning purposes - either by inserting a key, or by operating the detach clip. For more information on sash control devices please contact your JP Hardware Representative.



Awning



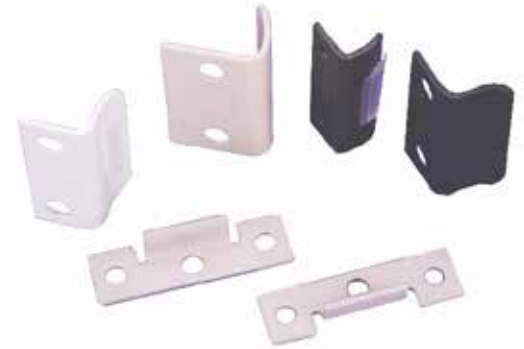
Casement

Truth Snubbers



- Available in both concealed and visible styles - will prevent bowing of tall casement windows or wide awning windows. Have also been found to be useful with double hung windows in improving the seals of the bottom and top rails in the closed position. Adding a snubber may increase negative air pressure rating and resistance to forced entry.

This product is covered by Truth's lifetime mechanical warranty.



Awning



Casement

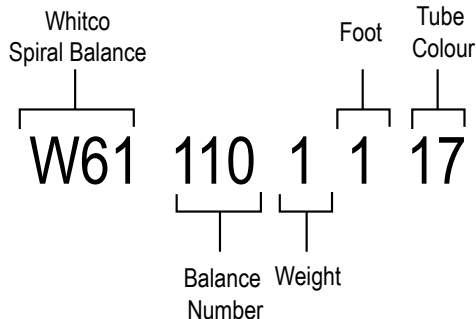
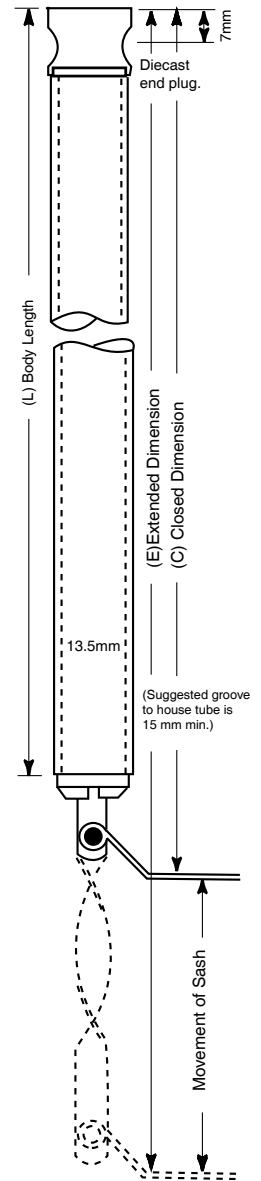


WINDOW SYSTEMS

BALANCE SYSTEM



Balance Number	'C' Closed Dimension	'E' Extended Dimension	'L' Body Length	Number of pretension turns of spiral Kg		
				Weight Range 2.25-7.25kg	Weight Range 2 7.25-10 Kg	Weight Range 3 10-14 Kg
110	318	559	292	3		
200	343	610	318	3		
220	368	660	343	3		
240	394	711	368	3		
260	419	762	394	3		
280	445	813	419	3		
210	470	864	445	3		
300	495	914	470	3		
320	521	965	495	4		
340	546	1,016	521	4		
360	572	1,067	546	4		
380	597	1,118	572	4		
310	622	1,168	597	4		
400	648	1,219	622	4	5	6
420	673	1,270	648	4	5	6
440	699	1,321	673	4	5	6
460	724	1,372	699	5	5	6
480	749	1,422	724	5	5	6
410	775	1,473	749	5	5	6
500	800	1,524	775	5	5	6
520	826	1,575	800	5	5	6
540	851	1,626	826	6	6	6
560	876	1,676	851	6	6	7
580	902	1,727	876	6	6	7
510	927	1,778	902	6	6	7
600	953	1,829	927	6	6	7
620	978	1,880	953	6	6	7
640	1,003	1,930	978	7	7	7
660	1,029	1,981	1,003	7	7	8
680	1,054	2,031	1,029	7	7	8
610	1,080	2,083	1,054	7	7	8
700	1,105	2,134	1,080	7	7	8
720	1,130	2,183	1,105	7	7	8



Legend:

Balance Number - Refer to size chart (above)

Weight Range

- 1 = 2.25 to 7.25kg
- 2 = 7.25 to 10.0kg
- 3 = 10.0 to 14.0kg

Foot

- 0 = No Foot
- 1 = Standard Foot Included

Colour

- 17 = Black

To select a whitco sash balance tube unit size

Top Sash

1. Measure the top sash height.
2. Refer to appropriate closed "C" dimension on table.
3. If top sash height does not exactly, go down to next size. Note - the closed dimension "C" must be less than the sash height.

Bottom Sash

1. Establish overall opening height.
2. Refer to extended "E" dimension on drawing.
3. If opening height does not exactly, go up to next size.
4. Read off Balance Number.

Remember: When closed the bottom sash has the tube in the extended position, and the top sash is in the closed position. Important: Always ensure that you select the correct type of balance to match the weight and size of sash. Included



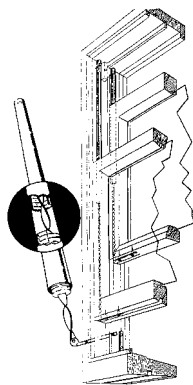
Double Hung



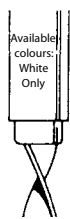
Timber



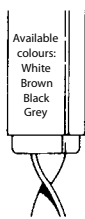
Aluminium



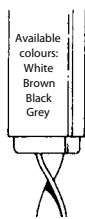
Available colours: White, Brown, Black, Grey
 TYPE 'D' STANDARD
 14mm DIAMETER
 TO SUIT
 16mm x 16mm
 REBATE
 SASH WEIGHT UP TO
 13.5kg



Available colours: White Only
 TYPE 'A'
 9.5mm DIAMETER
 TO SUIT
 11mm x 11mm
 REBATE
 SASH WEIGHT UP TO
 8kg



Available colours: White, Brown, Black, Grey
 TYPE 'B'
 12.4mm DIAMETER
 TO SUIT
 14mm x 14mm
 REBATE
 SASH WEIGHT UP TO
 13.5kg



Available colours: White, Brown, Black, Grey
 TYPE 'HD'
 12.4mm DIAMETER
 TO SUIT
 14mm x 14mm
 REBATE
 SASH WEIGHT UP TO
 17.5kg



UNIQUE SASH BALANCES



Double Hung



Timber



Aluminium

* Note: Type 'D' in visual pack is available in grey only

For window sizes over mm	For window sizes up to mm	Tube length mm	Sash Balance No.	Type 'D' Sash Balance Part No. EACH	Type 'A' Sash Balance Part No. EACH	Type 'B' Sash Balance Part No. EACH	Type 'HD' Sash Balance Part No. EACH
635mm	690mm	330mm	10	A01D/10	A01A/10	A01B/10	
690mm	735mm	355mm	11	A01D/11	A01A/11	A01B/11	
735mm	785mm	380mm	12	A01D/12	A01A/12	A01B/12	
785mm	840mm	405mm	13	A01D/13	A01A/13	A01B/13	
840mm	890mm	430mm	14	A01D/14	A01A/14	A01B/14	
890mm	940mm	455mm	15	A01D/15	A01A/15	A01B/15	
940mm	990mm	485mm	16	A01D/16	A01A/16	A01B/16	
990mm	1040mm	510mm	17	A01D/17	A01A/17	A01B/17	
1040mm	1090mm	535mm	18	A01D/18	A01A/18	A01B/18	
1090mm	1145mm	560mm	19	A01D/19	A01A/19	A01B/19	
1145mm	1195mm	585mm	20	A01D/20	A01A/20	A01B/20	A01HD/20
1195mm	1245mm	610mm	21	A01D/21	A01A/21	A01B/21	A01HD/21
1245mm	1295mm	635mm	22	A01D/22	A01A/22	A01B/22	A01HD/22
1295mm	1345mm	660mm	23	A01D/23	A01A/23	A01B/23	A01HD/23
1343mm	1395mm	690mm	24	A01D/24	A01A/24	A01B/24	A01HD/24
1395mm	1450mm	715mm	25	A01D/25	A01A/25	A01B/25	A01HD/25
1450mm	1500mm	735mm	26	A01D/26	A01A/26	A01B/26	A01HD/26
1500mm	1550mm	760mm	27	A01D/27	A01A/27	A01B/27	A01HD/27
1550mm	1600mm	785mm	28	A01D/28	A01A/28	A01B/28	A01HD/28
1600mm	1650mm	815mm	29	A01D/29	A01A/29	A01B/29	A01HD/29
1650mm	1700mm	840mm	30	A01D/30	A01A/30	A01B/30	A01HD/30
1700mm	1755mm	865mm	31	A01D/31	A01A/31	A01B/31	A01HD/31
1755mm	1805mm	890mm	32	A01D/32	A01A/32	A01B/32	A01HD/32
1805mm	1855mm	915mm	33	A01D/33			A01HD/33
1855mm	1905mm	940mm	34	A01D/34			A01HD/34
1905mm	1955mm	965mm	35	A01D/35			A01HD/35
1955mm	2005mm	990mm	36	A01D/36			A01HD/36
2005mm	2055mm	1015mm	37	A01D/37			A01HD/37
2055mm	2110mm	1040mm	38	A01D/38			A01HD/38
2110mm	2160mm	1065mm	39	A01D/39			A01HD/39
2160mm	2210mm	1090mm	40	A01D/40			A01HD/40
2210mm	2260mm	1115mm	41	A01D/41			A01HD/41
2260mm	2310mm	1145mm	42	A01D/42			A01HD/42
2310mm	2360mm	1170mm	43	A01D/43			A01HD/43
2360mm	2415mm	1195mm	44	A01D/44			A01HD/44
2415mm	2465mm	1220mm	45	A01D/45			A01HD/45
2465mm	2515mm	1245mm	46	A01D/46			A01HD/46
2515mm	2590mm	1270mm	47	A01D/47			A01HD/47
2590mm	2615mm	1295mm	48	A01D/48			A01HD/48



WINDOW SYSTEMS

BALANCE SYSTEM

Whitco Spiral Tension Key



Part No.	Description	Box Qty.
W492700	Whitco Spiral Tension Key	200

Adjustable Spiral Foot



Part No.	Description	Box Qty.
W615100	Whitco Adjustable Spiral Std. Foot	200
W615300	Whitco Adjustable Spiral Foot Super Heavy Duty	200
GA - APT01/UC1	Unique UCI Foot	200

Whitco Spiral Foot



Part No.	Description	Box Qty.
W615200	Whitco Spiral Balance Foot TFD	200

Spiral Accessory Kit



Part No.	Description	Box Qty.
W492916	Whitco Accessory Kit White	200
W492900	Whitco Accessory Kit Black	200
GA - APT01/ACC	Unique Accessory Kit Black	200

Whitco Long Stop



Part No.	Description	Box Qty.
W493000	Whitco Long Stop	200

WINDOW SYSTEMS

COUNTER BALANCED SYSTEM



Counter Balanced Double Hung Window System

• Pulley system allows perfect counter balancing of window frames.
 Suitable for all sash sizes, very easy operation with large sashes.

- The closest thing to box frames without the expense of weights and cords
- Perfect for Renovations / Restorations
- 10 Year Warranty on pulley
- Maximum sash weight up to 60 kg.
- Slim line and unobtrusive design



Dual Roller Pulley



Sash Cord Fastener

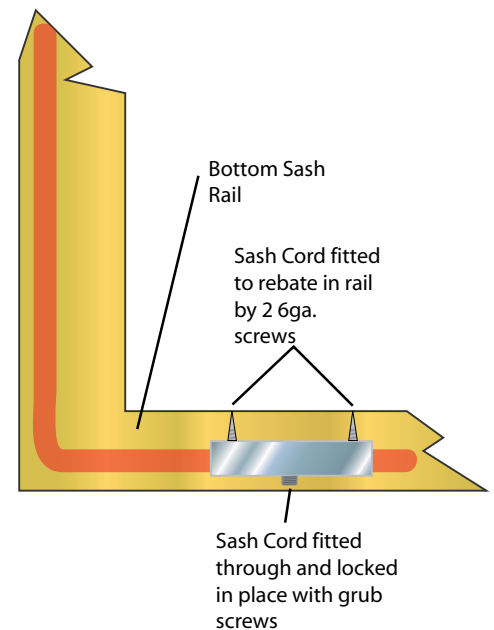
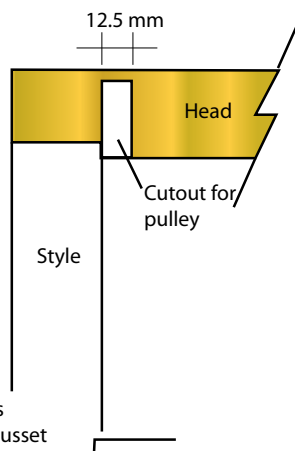
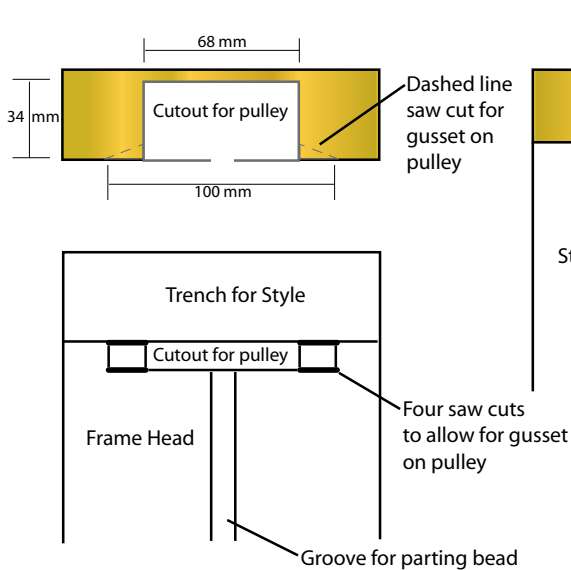
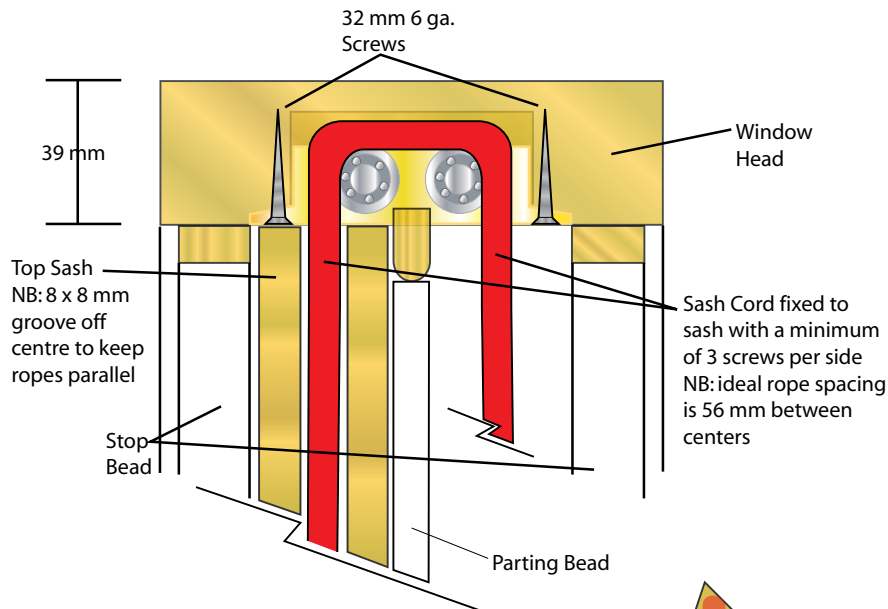
Part No.	Description	Box Qty.
JPR-45252SSG	Dual Roller Pulley for Counter Balance	1
AI-Z-SS25DSGA	Dual Roller Pulley for Counter Balance	1
JPA-EV1	Sash Cord Fastener	1



Double Hung



Timber



Brass Double Hung Pulleys



Part No.	Description	Box Qty.
SU-3114	Superior Brass 125mm x 25mm - Brass	5
SU-43114	Superior Brass 125mm x 25mm - Satin Chrome	5
SU-33114	Superior Brass 125mm x 25mm - Bright Chrome	5



Double Hung



Timber



Plastic Double Hung Pulleys

Part No.	Description	Box Qty.
AI-JP1090	Plastic Carriage Nylon Wheel 22Kg.	25
AI-JP1092	Plastic Carriage Brass Wheel 36Kg.	25



Double Hung



Timber



Brass Double Hung Pulleys

Part No.	Description	Box Qty.
KI-9-300-16	Brass Double Hung	25



Double Hung



Timber



Counter Balance Pulley Single Wheel

Part No.	Description	Box Qty.
	Steel Carriage Nylon Wheel 20Kg.	25



Double Hung



Timber

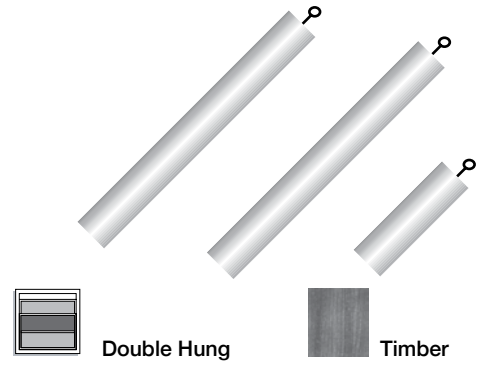
WINDOW SYSTEMS

COUNTER BALANCED SYSTEM



38mm(Diam) Lead Weight

Part No.	Description
CA-I1535	Lead Weight 38mm x 2000mm (26 kg)
JPH-EYES	Eyes Only - 46mm x 4.8mm (12mm 1D) -Zinc
Other Sizes	
CA-WW38385	Lead Weight 38mm x 385mm (5 kg)
CA-WW38615	Lead Weight 38mm x 615mm (8 kg)
CA-WW38770	Lead Weight 38mm x 770mm (10 kg)
CA-WW40510	Lead Weight 40mm x 510mm (7 kg)
CA-WW422500	Lead Weight 42mm x 2500mm (35 kg)
CA-WW501105	Lead Weight 50mm x 1150mm (25.9 kg)
CA-WW501200	Lead Weight 50mm x 1200mm (27 kg)
CA-WW501400	Lead Weight 50mm x 1400mm (31.5 kg)
CA-WW501550	Lead Weight 50mm x 1550mm (38.9 kg)



Pre-Streached Nylon Cord

Part No.	Description	Box Qty.
JPH-8P-5W	5 mm 100mtr Roll White	1
JPH-8P-6W	6 mm 100mtr Roll White	1



Cotton Sash Cord

Part No.	Description	Box Qty.
JPH-SCORD6	6mm - 250m Roll	1
JPH-SCORD8	8mm - 100m Roll	1





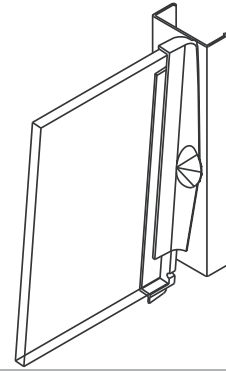
Slim line design in both 102mm and 152mm blades. Manufactured from low maintenance aluminum in both powder coat and anodised finishes. Using high impact U.V. resistant polypropylene clips Suitable for both residential and commercial applications with insect and security screens an integral part of the perimeter frame. Options included an attractive security bar system, and both remote and dual options.



Number Blades	102mm (4") Blades					152mm (6") Blades				
	Control	Blade Split	Height (mm)	Frame Height	Part Number	Control	Blade Split	Height (mm)	Frame Height	Part Number
2	N/A	N/A		N/A	N/A	Single	2	305	355	DL-20-X02
3	Single	3	292	342	DL-21-X03	Single	3	445	495	DL-20-X03
4	Single	4	381	431	DL-21-X04	Single	4	585	635	DL-20-X04
5	Single	5	470	520	DL-21-X05	Single	5	725	775	DL-20-X05
6	Single	6	559	609	DL-21-X06	Dual	3,3	865	915	DL-20-X06
7	Single	7	648	698	DL-21-X07	Dual	3,4	1005	1055	DL-20-X07
8	Dual	4,4	737	787	DL-21-X08	Dual	4,4	1145	1195	DL-20-X08
9	Dual	4,5	826	876	DL-21-X09	Dual	5,4	1285	1335	DL-20-X09
10	Dual	5,5	915	965	DL-21-X10	Dual	5,5	1425	1475	DL-20-X10
11	Dual	5,6	1004	1054	DL-21-X11	Triple	3,4,4	1565	1615	DL-20-X11
12	Dual	6,6	1093	1143	DL-21-X12	Triple	4,4,4	1705	1755	DL-20-X12
13	Dual	6,7	1182	1232	DL-21-X13	Triple	5,4,4	1845	1895	DL-20-X13
14	Dual	7,7	1271	1321	DL-21-X14	Triple	5,5,4	1985	2035	DL-20-X14
15	Triple	5,5,5	1360	1410	DL-21-X15	Triple	5,5,5	2125	2175	DL-20-X15
16	Triple	5,5,6	1449	1499	DL-21-X16	Quad	4,4,4,4	2265	2315	DL-20-X16
17	Triple	5,6,6	1538	1588	DL-21-X17	Quad	5,4,4,4	2405	2455	DL-20-X17
18	Triple	6,6,6	1627	1677	DL-21-X18	N/A	N/A	N/A	N/A	N/A
19	Triple	6,6,7	1716	1766	DL-21-X19	N/A	N/A	N/A	N/A	N/A
20	Triple	6,7,7	1805	1855	DL-21-X20	N/A	N/A	N/A	N/A	N/A
21	Triple	7,7,7	1894	1944	DL-21-X21	N/A	N/A	N/A	N/A	N/A
22	Quad	5,5,6,6	1983	2033	DL-21-X22	N/A	N/A	N/A	N/A	N/A
23	Quad	5,5,6,7	2072	2122	DL-21-X23	N/A	N/A	N/A	N/A	N/A
24	Quad	5,6,6,7	2161	2211	DL-21-X24	N/A	N/A	N/A	N/A	N/A
25	Quad	6,6,6,7	2250	2300	DL-21-X25	N/A	N/A	N/A	N/A	N/A
26	Quad	6,6,7,7	2339	2389	DL-21-X26	N/A	N/A	N/A	N/A	N/A
27	Quad	6,7,7,7	2428	2478	DL-21-X27	N/A	N/A	N/A	N/A	N/A

Fixed Glass Extension Piece

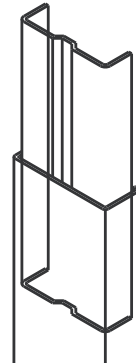
DIAMOND LOUVRES
Australia



Part No.	Description
DL-20-	Fixed Glass Extension Piece

Stacking Sleeve

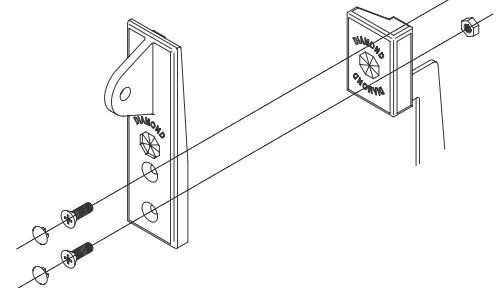
DIAMOND LOUVRES
Australia



Part No.	Description
DL-20-161	Stacking Sleeve

Remote Control Adaptor

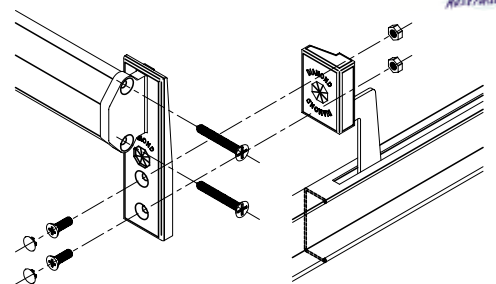
DIAMOND LOUVRES
Australia



Part No.	Description
DL-20-168	Remote Control Adaptor

Torsion Bar Adaptor

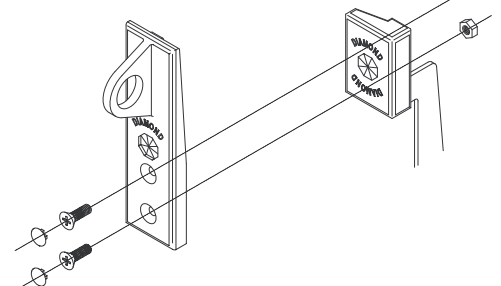
DIAMOND LOUVRES
Australia



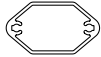
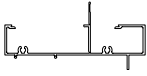
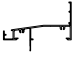


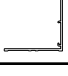
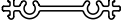
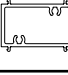
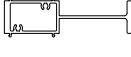
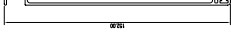
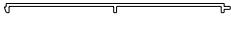
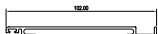


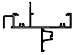
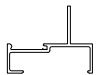

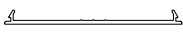
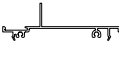

Part No.	Description
DL-20-170	Torsion Bar Adaptor

Map Hook Adaptor

DIAMOND LOUVRES
Australia



Part No.	Description
DL-20-159	Map Hook Adaptor

	Part No.	Description
	DL-600-506	Torsion Bar
	DL-600-700	Frame Jamb
	DL-600-701	Frame Sill
	DL-600-702	Weather Bar Adaptor
	DL-600-703	Weather Bar 40mm
	DL-600-704	Cyclon W/Bar 40mm
	DL-600-705	Gallery Coupler
	DL-600-706	Box Coupler 42x25mm
	DL-600-707	H/Duty Coupler 97mm
	DL-600-708	150mm Metal Blade
	DL-600-709	150mm Metal Blade Back
	DL-600-710	102mm Metal Blade
	DL-600-711	102mm Metal Blade Back
	DL-600-719	Extruded Insect Screen
	DL-600-720	Frame Head
	DL-600-721	High Lite Adaptor
	DL-600-722	100mm Frame Coupler
	DL-700-414	Flush Infil
	DL-LSS-309	High Lite Sill
	DL-LSS-402	Glazing Bead

Whitco MK8 Locking Chain Winder Folding Handle

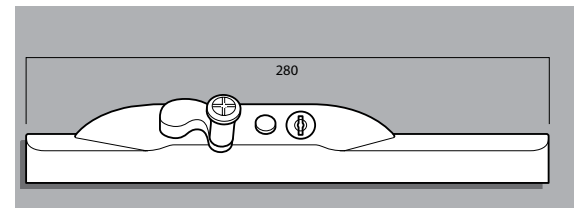
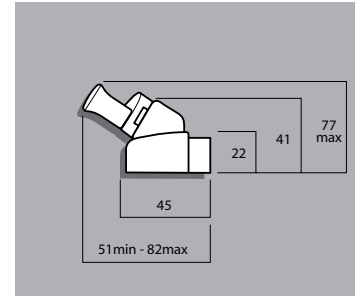
- Chain type locking operator for awning windows



Part No.	Description	Box Qty.
W3802••	Standard Operator	10
W3803••	Non-Corrosive Chain and Body	10
W341100	Whitco Chainwinder Stopper Plug (100mm & 150mm)	100



Color Code	Description	Color Code	Description
02	Bright Gold	17	Black
05	Satin Chrome	19	Primrose
08	Bright Chrome	21	Merino
11	Silver	23	Doeskin
12	Mahogany	24	Magnolia
13	Brown	28	Stone Beige
14	Pottery	41	White Birch
16	White		



Timber



Aluminium



uPVC



Awning

Whitco MK8 Non Locking Chain Winder Folding Handle

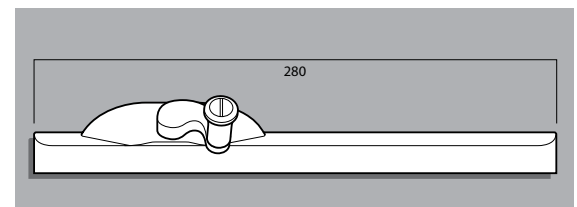
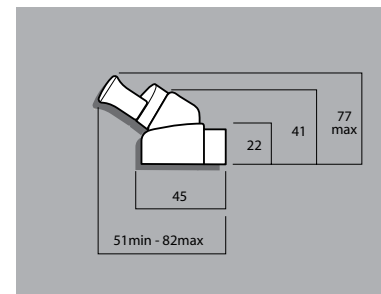
- Chain type operator for awning windows



Part No.	Description	Box Qty.
W3702••	Standard Operator	10
W3703••	Non-Corrosive Chain and Body	10
W341100	Whitco Chainwinder Stopper Plug (100mm & 150mm)	100



Color Code	Description	Color Code	Description
02	Bright Gold	17	Black
05	Satin Chrome	19	Primrose
08	Bright Chrome	21	Merino
11	Silver	23	Doeskin
12	Mahogany	24	Magnolia
13	Brown	28	Stone Beige
14	Pottery	41	White Birch
16	White		



Timber



Aluminium



uPVC



Awning

Whitco
SECURING YOUR HOME

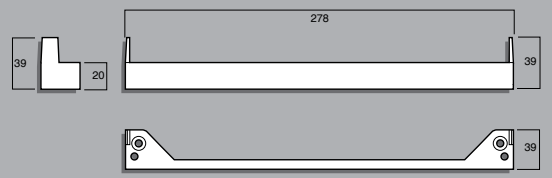


Whitco Chainwinder Mounting Brackets

- To fix Whitco Window Winder to aluminium sill sections.

Part No.	Description	Box Qty.
W3513••	Front Fix	50

Color Code	Description	Color Code	Description
17	Black	11	Sliver
16	White		



Whitco
SECURING YOUR HOME

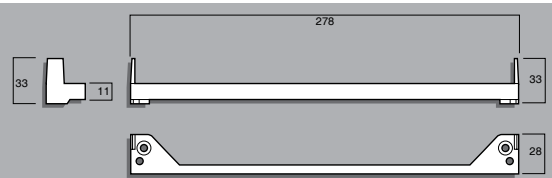


Whitco Chainwinder Mounting Brackets

- To fix Whitco Window Winder to aluminium sill sections.

Part No.	Description	Box Qty.
W3515••	Boral	50

Color Code	Description	Color Code	Description
17	Black	11	Sliver
16	White		



Whitco
SECURING YOUR HOME

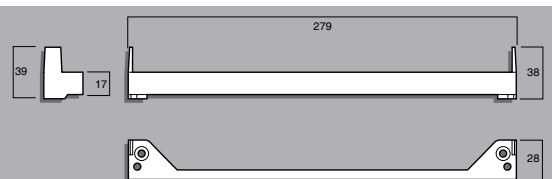


Whitco Chainwinder Mounting Brackets

- To fix Whitco Window Winder to aluminium sill sections.

Part No.	Description	Box Qty.
W3516••	Alcan	50

Color Code	Description	Color Code	Description
17	Black	11	Sliver
16	White		



Truth Roto Gear Operator

- This operator is designed to provide positive control of the sash in any position, achieving up to a 400mm opening.
- Fully operable with fly screens.
- Maximum Sash sizes are determined by limitations of stays 13 series table
- This product is covered by Truth's lifetime mechanical warranty.
- See Color Chart on 1.6



Awning

Part No.	Description	Box Qty.
T-11.10.●●.001	Truth Roto Gear Awning Operator	20
T-20008.92	Truth Roto Gear Awning Operator Sash Hook	20
T-11329. ●●	Truth Folding Handle	20



Timber



Lockwood Elevation Electric Window Control System

Lockwood's Elevation® is an Electric Window Control System designed to control your windows with a touch of a button. Elevation can be configured to reflect the unique layout of any home or commercial building but primarily used to control windows that are hard-to-reach. Elevation caters for both awning and casement windows.

Part No.	Description	Box Qty.
LW-EWAC-300-•••	Lockwood Elevation Actuator	1
LW-EWAC-SNA	Lockwood Elevation Network Adaptor	1
LW-TSD-35-WHT	Lockwood Elevation Touch Key Pad	1
LW-EWAC-SM1500	Lockwood Elevation Actuator Power Suply 1500 MA	1
LW-EWAC-SSL	Lockwood Elevation Sync Loom	1
LM-EWAC-SRS	Lockwood Elevation Rain Sensor and network adaptor	1

Color Code	Description
WH	White
BLK	Black

Color Code	Description
SIL	Sliver

Timber	Aluminium	uPVC
Awning	Casement	Skylight

JPH Electronic Window Control System

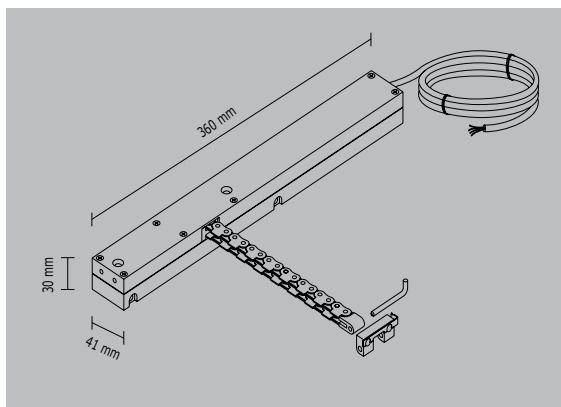
- European designed electronic window system with heavy duty stainless steel chain.
- Smooth & Quiet Operation
- Easy Installation
- One Touch Opening
- Modern Slimline Design
- Heavy Duty Stainless Steel Chain



Part No.	Description	Box Qty.
JPH-0000 ••	Operator + 24DC Transformer	1

Casement		
Maximum Weight (kg)	Minimum Width	Maximum Height
53 Kg	300 mm	300 mm

Awning		
Maximum Weight (kg)	Minimum Width	Minimum Height
53 kg	300 mm	900 mm



Color Code	Description
WH	White
BLK	Black

Color Code	Description
SIL	Sliver

Timber	Aluminium	uPVC
Awning	Casement	Skylight

Bristol Awning+Friction Stay

Part Number	Description	Max Sash Weight kg	Max Sash Height mm	Max Sash Width mm	Unit	Box Qty
SC-BP10TH	Awning Stay 254mm 84° opening	14 kg	450 mm	N/A	Pair	25
SC-BP12TH	Awning Stay 305mm 87° opening	16 kg	550 mm	N/A	Pair	25
SC-BP16TH	Awning Stay 402.5mm 60° opening	20 kg	N/A	800 mm	Pair	25
SC-BP20TH	Awning Stay 502.5mm 45° opening	20 kg	1200 mm	N/A	Pair	25
SC-BP24TH	Awning Stay 602mm 40° opening	35 kg	1200 mm	N/A	Pair	25



Timber



Aluminium

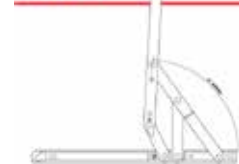


Awning

BP10TH



BP12TH



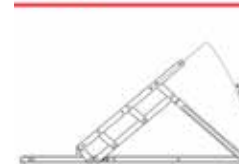
BP16TH



BP20TH



BP24TH



Bristol Casement+Friction Stay

Part Number	Description	Max Sash Weight kg	Max Sash Height mm	Max Sash Width mm	Unit	Box Qty
SC-BP12SH	Casement Stay 305mm 87° opening	24 kg	N/A	650 mm	Pair	25
SC-BP16SH	Casement Stay 414mm 88° opening	30 kg	N/A	800 mm	Pair	25



Timber

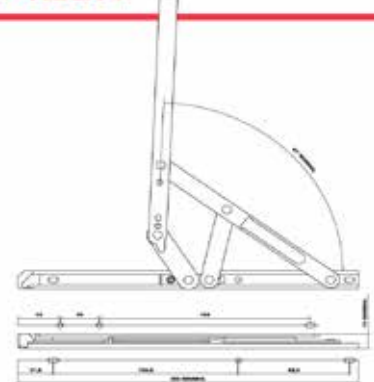


Aluminium

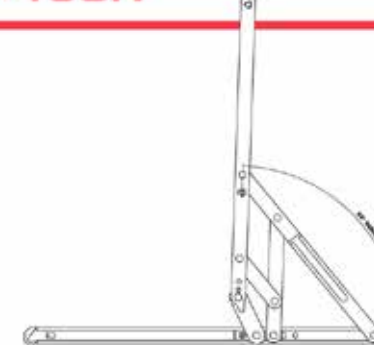


Casement

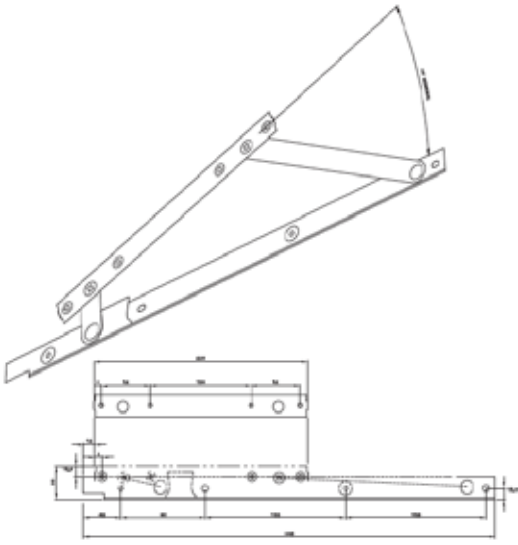
BP12SH



BP16SH



Bristol A Awning Stay



Part Number	Description	Max Sash Weight kg	Max Sash Height mm	Max Sash Width mm	Unit	Box Qty
SC-BP235••	Awning Stay 235mm 45° opening	10 kg	400 mm	N/A	Pair	25
SC-BP335••	Awning Stay 330mm 35° opening	9 kg	1000 mm	N/A	Pair	25
SC-BP440••	Awning Stay 440mm 20° opening	15 kg 43 kg	1800 mm 1200 mm	N/A	Pair	25
SC-BP510••	Awning Stay 512mm 27° opening	12 kg	1300 mm	N/A	Pair	25

NF = Non- Friction



Timber



Aluminium



Awning



Truth 13 Series Awning Hinge

• These hinges balance a sash as it opens for smooth effortless operation. It is recommended to match the size of the hinge to the height and weight of the sash. Proper selection can help prevent problems such as window chatter.

Part No.	Height x Width(Max)	Weight (Max)	Minimum Height	Hinge Length (L)
T-13.13.00.0 ••	355.6 mm x 1500mm	3.2 Kg.	254 mm	245 mm
T-13.14 .00.0 ••	482.6 mm x 1500mm	9.1 Kg.	355.6 mm	355 mm
T-13.15 .00.0 ••	660.4 mm x 1500mm	17.3 Kg.	482.6 mm	475 mm
T-13.16 .00.0 ••	863.6 mm x 1500mm	22.7 Kg	660.4 mm	558 mm
T-13.17 .00.0 ••	1066.8 mm x 1500mm	27.7 Kg	863.6 mm	660 mm
14 Left Hand				15 Right Hand



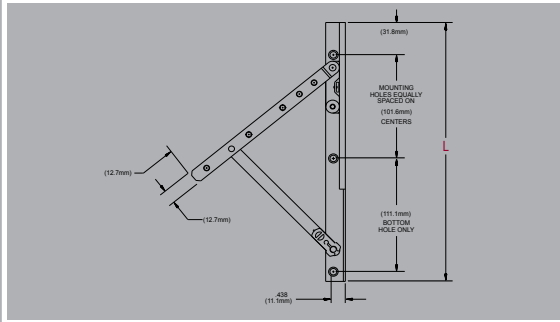
Timber



Aluminium



Awning



Truth 14 Series Casement Hinge

• These hinges balance a sash as it opens for smooth effortless operation. It is recommended to match the size of the hinge to the height and weight of the sash. Proper selection can help prevent problems such as window chatter.

Part No.	Height x Width(Max)	Weight (Max)	Minimum Width	Hinge Length (L)
T-14.05.00.0 ••	2100 mm x 813 mm	39 Kg.	305 mm	245 mm
03 Left Hand				04 Right Hand
T-14.97.00.0 ••	2100 mm x 1016 mm	44 Kg.	305 mm	330.2 mm
05 Left Hand				06 Right Hand



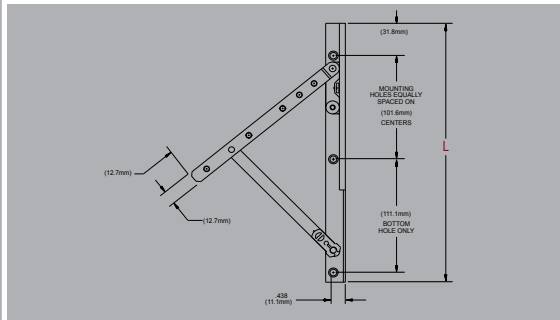
Timber



Aluminium



Casement



Truth 34 Series Casement Hinge

• Throughout the industry the names Anderberg and Truth have stood for reliable engineering and production, as well as precision made products and excellent support services; but above all this, these names stand for quality. This is most evident in our expertly crafted 4-Bar Hinges

Part No.	Height x Width(Max)	Weight (Max)	Minimum Width	Hinge Length (L)
T-34.59.00.208	1829 mm x 610 mm	45.5 Kg.	406 mm	355 mm
T-35.12.00.200	1778 MM X 813 MM	71.8 Kg.	508 mm	212.7 mm



Timber



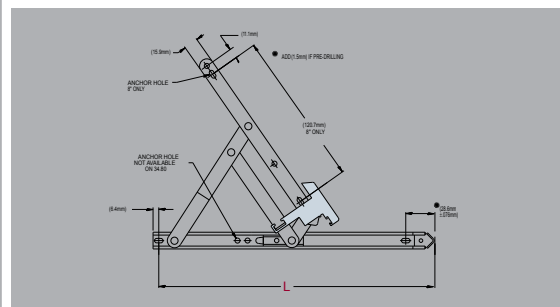
Aluminium



uPVC



Casement

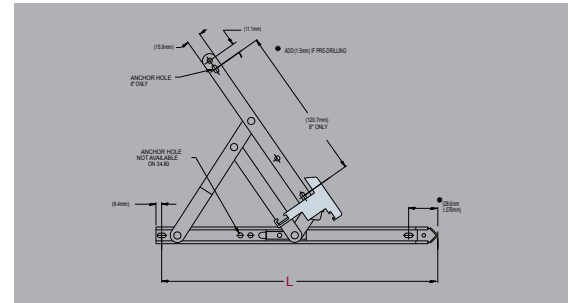
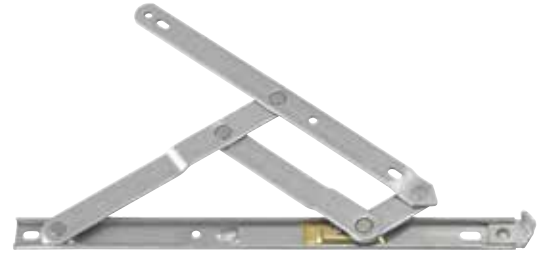


Truth 34 Series Awning Hinge



• Throughout the industry the names Anderberg and Truth have stood for reliable engineering and production, as well as precision made products and excellent support services; but above all this, these names stand for quality. This is most evident in our expertly crafted 4-Bar Hinges

Part No.	Height x Width(Max)	Weight (Max)	Minimum Width	Hinge Length (L)
T-34.24.00.400	508 mm x 1500 mm	26.4 Kg.	305 mm	254 mm
T-34.25.00.208	635 mm x 1500 mm	32.2 Kg.	508 mm	304 mm
T-34.27.00.208	737 mm x 1500 mm	45.0 Kg.	584 mm	406 mm
T-34.29. 00.208	1016 mm x 1500 mm	53.2 Kg	864 mm	508 mm
T-34.31. 00.106	1118 mm x 1500 mm	58.6 Kg	1016 mm	609 mm
T-34.86 00.208	1626 mm x 1500 mm	79.5 Kg	1270 mm	711 mm
T-34.87 00.400	2184 mm x 1500 mm	136.05 Kg	1625 mm	711 mm



Timber



Aluminium



uPVC



Awning

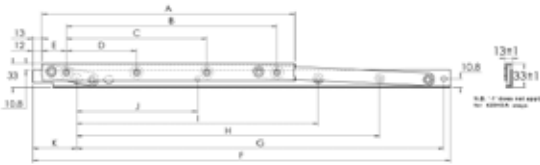
INTERLOCK
ASSA ABLOY

Interlock A Series - 33mm x 13mm Cavity



Part No.	Sash Height(Max)	Weight (Max)	Opening Angle	Hinge Length (F)
IN-P1560B	750mm	6kg	45°	230 mm
IN-P509B	400mm	4kg	45°	
IN-P1559B	***	10kg	45°	230 mm
IN-P1561B	1000mm	9kg	35°	330 mm
IN-P1553B	1200mm	43kg	20°	
IN-P1530B	1300mm	12kg	27°	500 mm

- Aluminium
- uPVC
- Awning



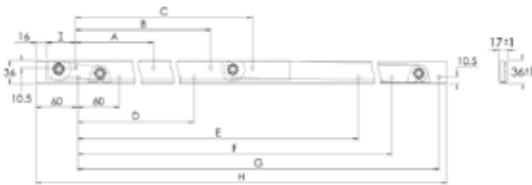
INTERLOCK
ASSA ABLOY

Interlock HD6 Series Aluminum - 36mm x 17mm Cavity



Part No.	Sash Height(Max)	Weight (Max)	Opening Angle	Hinge Length (H)
IN-P1532B	600 mm	21 Kg.	50°	300 mm
IN-P1533B	1800 mm	12 Kg.	36°	450 mm
IN-1534B	1050 mm	36 Kg.	36°	600 mm

- Aluminium
- uPVC
- Awning



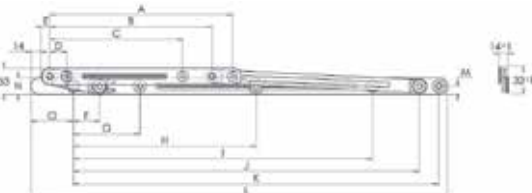
INTERLOCK
ASSA ABLOY

Interlock 4-B Series



Part No.	Sash Height(Max)	Weight (Max)	Opening Angle	Hinge Length (I)
IN-P1002	600 mm		40°	200 mm
IN-P1002NF	600 mm	10 Kg	40°	200 mm
IN-P1003	800 mm		30°	350 mm
IN-P1003NF	800 mm	25 Kg	30°	350 mm
IN-P1004	1800mm		25°	500 mm
IN-P1004NF	1500mm	40 Kg	25°	500 mm

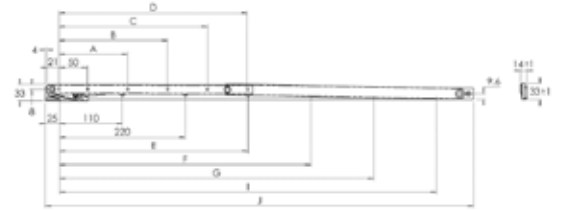
- Aluminium
- uPVC
- Awning



Interlock DA35 Series

INTERLOCK®
ASSA ABLOY

Part No.	Sash Height(Max)	Weight (Max)	Opening Angle	Hinge Length (F)
IN-P294B	650mm	11kg	45°/ 90°	400 mm
IN-P302B	900mm	15kg	30°/ 90°	400 mm
IN-P295B	1200mm	19kg	33°/ 90°	400 mm
IN-P303B	1500mm	24kg	28°/ 90°	400 mm



Aluminium

uPVC

Awning

Interlock 4-BC Series

INTERLOCK®
ASSA ABLOY

Part No.	Sash Height(Max)	Weight (Max)	Opening Angle	Hinge Length
IN-P1090	800mm	25kg	90o	230 mm
IN-P1090NF	***	25kg	90o	230 mm
IN-P1120	750mm	20kg	56o	300 mm
IN-P1080	1000mm	40kg	90o	430 mm
IN-P1080NF	***	40kg	90o	430 mm



Aluminium

uPVC

Casement



Whitco Awning and Casement Stays

• Robust metal window stays for both casement or awning windows. Available in both Standard (wide) and Narrow track designs for timber or aluminum joinery. Friction versions for manually open sashes and Non-friction versions for mechanically operated sashes.

• Standard Style

Track length	Casement sash width	Casement sash weight	Awning sash height	Awning sash weight
200 mm	Up to 635 mm	10 Kg	Up to 535 mm	6.3 Kg
300 mm	636 – 790 mm	11.8 Kg	536 – 710 mm	7.8 Kg
400 mm	791 – 840 mm	12.3 Kg	711 – 990 mm	10 Kg
500 mm	Not Recommended		991 – 1,220 mm	11.8 Kg

• Narrow Width

Track length	Casement sash width	Casement sash weight	Awning sash height	Awning sash weight
200 mm	Up to 635 mm	10 Kg	Up to 535 mm	6.3 Kg
300 mm	636 – 790 mm	11.8 Kg	536 – 710 mm	7.8 Kg
400 mm	791 – 840 mm	12.3 Kg	711 – 990 mm	10 Kg
500 mm	Not Recommended		991 – 1,220 mm	11.8 Kg

• Non-Friction Stays

Track length	Standard Width	Narrow Width	Box Qty.
200 mm	W0104••	W0204••	30
300 mm	NA	W0208••	30
400 mm	NA	W0212••	20
500 mm	NA	W0216••	20
01	Galvanised	04	Stainless Steel

• Friction Stays

Track length	Standard Width	Narrow Width	Box Qty.
200 mm	W0103••	W0203••	30
300 mm	W0107••	W0207••	30
400 mm	W0111••	W0211••	20
500 mm	W0115••	W0215••	20
01	Galvanised	04	Stainless Steel



Timber



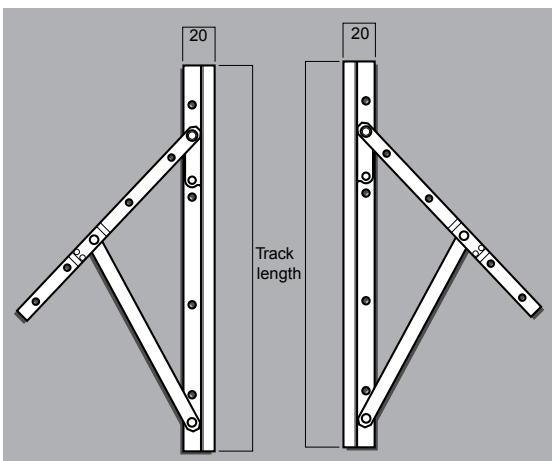
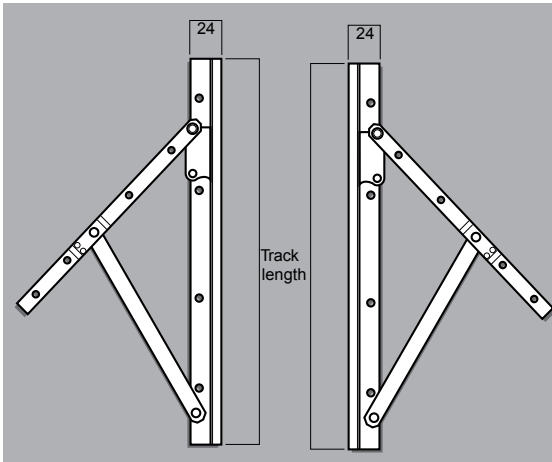
Aluminium



Awning



Casement

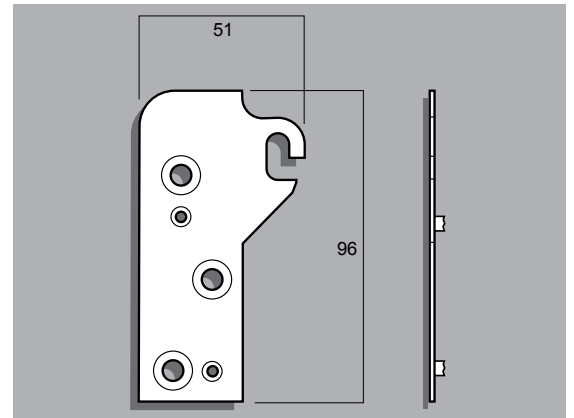


Hook Hinges

Part No.	Description	Box Qty.
W3125••	Whitco Bulk Pack	50
W3124••	Whitco Bulk Pack with Screws	75

Color Code	Description
01	Galvanised
13	Brown
14	Pottery

Color Code	Description
16	White
28	Stone Beige



Timber



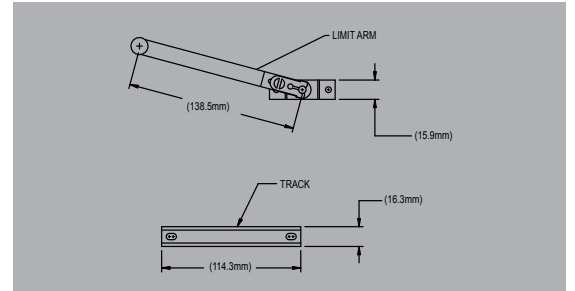
Awning

Truth Limit Device



- When properly installed and operated, the Limit Device will help prevent damage to casement and awning windows under high winds in high-rise applications.

Part No.	Description	Box Qty.
T-99.20.00.001	Concealed Restrictor Stay 130mm	100
T-99.24.00.001	Truth Limit Device - Stainless Steel	100

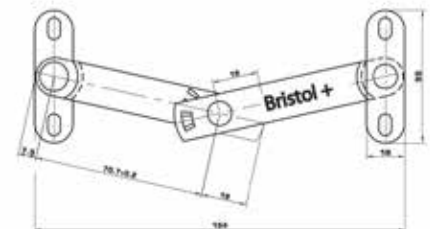


- Timber
- Aluminium
- uPVC
- Awning
- Casement

Safety Stays

- With operator safety in mind the Safety Stay offers a non-releasable restrictor for awning and casement windows. Fitted unobtrusively into the window cavity, the Safety Stay is not visible when the window is closed. The restrictor stay allows ventilation with a degree of security, plus child safety – particularly in multi-storey situations.

Part No.	Description	Box Qty.
IN-P1097	Concealed Restrictor Stay 100 mm	100
SC-BPRESTLD HL	Schlegel Stays Restrictor Concealed Stainless Steel	100

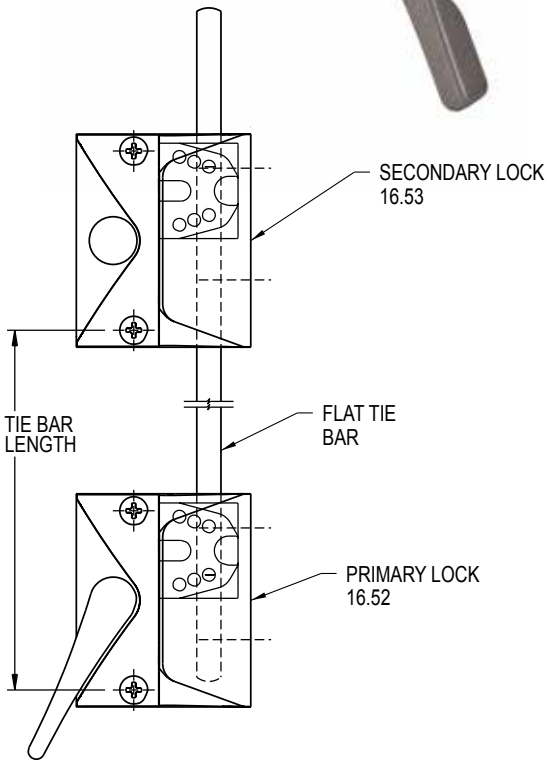


- Timber
- Aluminium
- uPVC
- Awning
- Casement



Truth Homegard Sash Lock

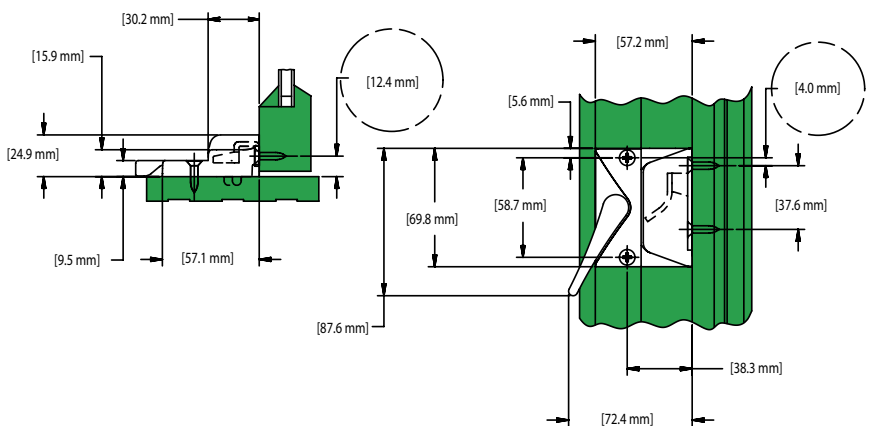
- Truth Hardware's new HomeGard Sash Lock with its smooth contemporary styling and impressive list of features is certain to be a hit.
- The HomeGard Sash Lock has new attractive aesthetics which continue Truth's efforts to design hardware for the 21st century. We have also eliminated the infamous "black hole" from the front of the HomeGard Lock. This change not only improves aesthetics, but also increases weathertightness.
- Exceptional .625" (15.8 mm) reach-out for maximum pull-in of the sash. When properly installed, the HomeGard has been tested to withstand negative air pressure of a minimum 125kg. per lock. The HomeGard Sash Lock is capable of tandem locking when dual locking is required and the #16.53 HomeGard Secondary Lock and tie bar are used.
- Designed to allow easy removal and be fully operable with flyscreens.



Part No.	Description	Box Qty.
T-16.52.●●.300	Truth Homegard Sash Lock - Primary Lock Non-Handed	100
T-16.53.●●.300	Truth Homegard Sash Lock - Secondary Lock Non-Handed	100
T-41268	Truth Homegard Keepers Left Hand	500
T-41269	Truth Homegard Keepers Right Hand	500

Color Code	Description
01	Aluminium
02	Black
03	Bronze
13	Brass*
31	Brushed Brass*

Color Code	Description
11	Coppertone
24	Beige
32	White
35	Bright Chrome*
53	Brushed Chrome*



Timber



Awning



Casement

Austral Pearl Window Lock

- Stylish low profile design.
- Easy to use “push and slide” interior action with concealed finger recess (push plate to unlatch, then use finger recess to slide the door)
- 3mm thick stainless steel beak is secured by a 4-point clamping system.
- Metal catch-plate with anti-lifting pin.
- Key locking and unlocking (optional) from the outside of the door (pin cylinder)
- Egress lock function means the inner mechanism overrides the key locking.
- Australian design and manufacture.



Part No.	Description	Box Qty.
AU-PLW-EA-•••-KA	Austral Pearl Window Lock	10

Color Code	Description	Color Code	Description
BLK	Black	WHT	White
PSLI	Silver		



Timber



Aluminium



uPVC



Sliding





Whitco Series 25 Window Lock

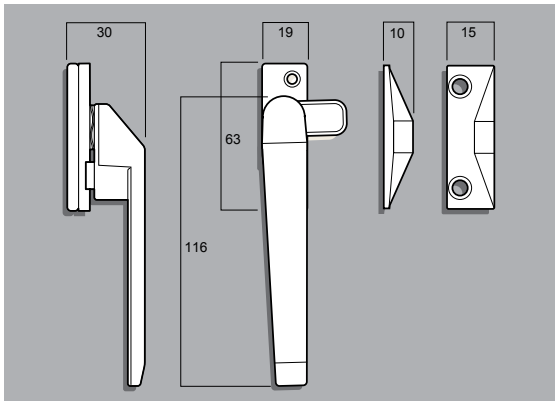
- Slim window pull and latch



Part No.	Description	Box Qty.
W2252••	Whitco Series 25 Window Lock Lockable Left Hand	10
W2251••	Whitco Series 25 Window Lock Lockable Right Hand	10
W2272••	Whitco Series 25 Window Lock Non-Lockable Left Hand	10
W2271••	Whitco Series 25 Window Lock Non-Lockable Right Hand	10

Color Code	Description
02	Bright Gold
05	Satin Chrome
08	Bright Chrome

Color Code	Description
16	White
17	Black

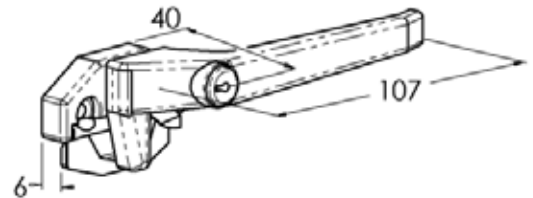


Interlock Wedgeless Deluxe

• This sleek, attractive lockable sliding catch is suitable for both windows & doors. It is available with a range of tongues & strikes to suit almost any profile, as well as being available in mill finish, thus being able to be painted to suit the colour of your extrusion. The Omnia has been tested to 25,000 cycles and 50 kg pulling force..

Part No.	Description	Box Qty.
IN-355 ●●	4mm RH Face Fix	1
IN-356 ●●	4mm LH Face Fix	1
IN-345 ●●	6mm RH Face Fix	1
IN-346●●	6mm LH Face Fix	1
IN-8761 ●●	Accessories Euro Key	1

Color Code	Description	Color Code	Description
BL	Black	PW	Pearl White
PPC	Standard Powdercoat On Application		



Aluminium



uPVC



Awning



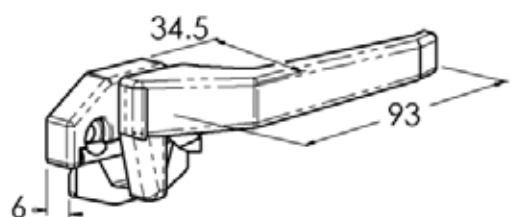
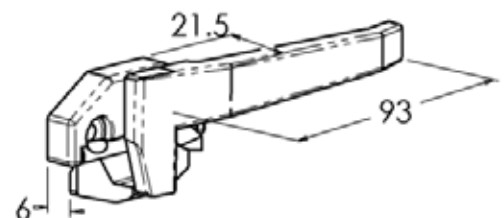
Casement

Interlock Wedgeless

• This innovative quality window fastener from Interlock is for use with aluminium or uPVC windows. Patented internationally, this unique window fastener has the 'wedge' incorporated as a folding flap attached to the base of the handle.

Part No.	Description	Box Qty.
IN-322 ●●	Low Profile 4mm RH Face Fix	1
IN-323 ●●	Low Profile 4mm LH Face Fix	1
IN-332 ●●	High Profile 4mm RH Face Fix	1
IN-333 ●●	High Profile 4mm LH Face Fix	1
IN-330 ●●	High Profile 6mm RH Face Fix	1
IN-331 ●●	High Profile 6mm LH Face Fix	1

Color Code	Description	Color Code	Description
BL	Black	PW	Pearl White
PPC	Standard Powdercoat On Application		



Aluminium



uPVC



Awning



Casement

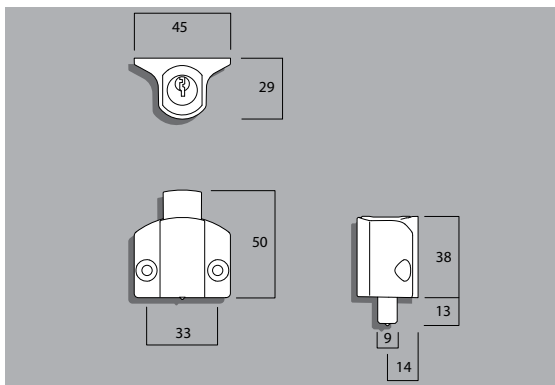


Whitco Mini Push Lock

- CYL4™ One Key Security - Can be matched to most door locks for one key convenience High security, robust construction, resists attack Simply push button to lock Solid zinc diecast metal body Stainless steel ferrule included Standard and one way fixing screws supplied Suits a wide variety of applications

Part No.	Description	Box Qty.
W22081••	Whitco Mini Push Lock	20

Color Code	Description	Color Code	Description
02	Bright Gold	16	White
11	Silver	17	Black
19	Primrose		



- Timber
- Aluminium
- Awning
- Casement
- Double Hung
- Sliding

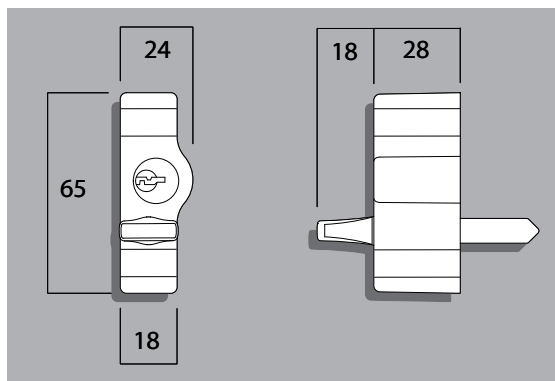


Whitco Multi Bolt

- CYL4™ One Key Security - Can be matched to most door locks for one key convenience High security, robust construction, resists attack Concealed fixing for security and style Versatile face fix or side fix design Key to lock, key to unlock Suits a wide variety of applications Enables secure ventilation - (Sliding & Double Hung applications) Standard and one way fixing screws supplied Stainless steel ferrule for timber applications Ideal for double hung windows Strong 8mm steel bolts provided

Part No.	Description	Box Qty.
W22053••	Multi Bolt with short and long thick and Thin Long bolt	16

Color Code	Description	Color Code	Description
11	Silver	17	Black
16	White	19	Primrose
23	Doeskin		



- Timber
- Aluminium
- Awning
- Casement
- Double Hung
- Sliding

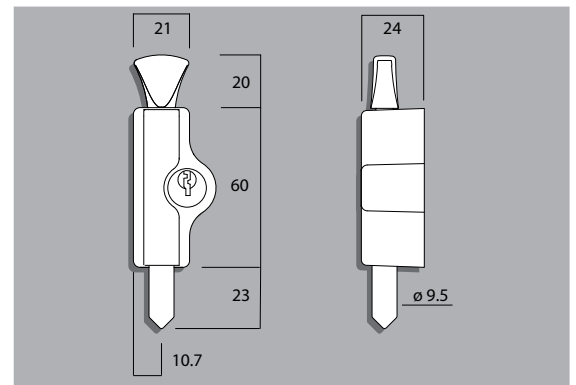
Whitco Window Bolt

- CYL4™ One Key Security - Can be matched to most door locks for one key convenience High security, robust construction, resists attack Concealed fixing for security and style Key to lock, key to unlock Strong 9.5mm steel bolt Bolt engages without locking for safety Allows window to be locked in closed or secure ventilation position (sliding and double hung windows) Reversible bolt for left or right handed installation Solid zinc diecast metal body Stainless steel ferrule for timber applications



Part No.	Description	Box Qty.
W22033••	Whitco Window Bolt	20

Color Code	Description	Color Code	Description
11	Silver	16	White
19	Primrose	17	Black
23	Doeskin		



- Timber
- Aluminium
- Awning
- Casement
- Sliding
- Double Hung

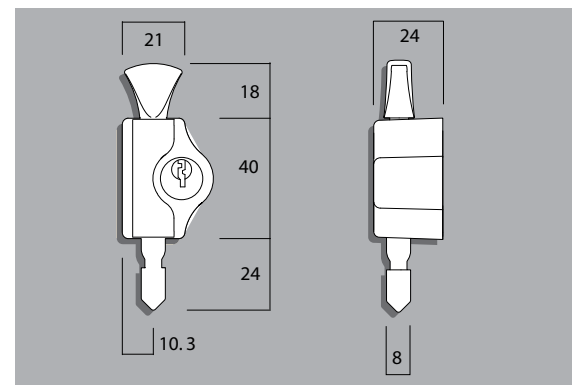
Whitco Mini Window Bolt

- CYL4™ One Key Security - Can be matched to most door locks for one key convenience High security, robust construction, resists attack Concealed fixing for security and style Key to lock, key to unlock Strong 8mm steel bolt Bolt engages without locking for safety Enables a secure ventilation position (sliding and double hung windows) Reversible bolt for left or right handed installation Solid zinc diecast metal body Stainless steel ferrule for timber applications Suits a wide variety of applications



Part No.	Description	Box Qty.
W22230••	Whitco Mini Window Bolt	20

Color Code	Description	Color Code	Description
11	Silver	16	White
19	Primrose	17	Black
23	Doeskin		



- Timber
- Casement
- Sliding
- Awning
- Double Hung

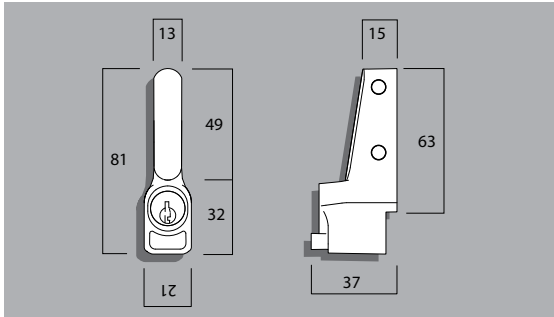


Whitco Sliding Push Lock

•CYL4™ One Key Security - Can be matched to most door locks for one key convenience High security, robust construction, resists attack Added security for sliding windows Solid zinc diecast metal body Simply push button to lock Enables secure ventilation Standard and one way fixing screws supplied Concealed fixing for security and style 2 drilling jigs included Side fix packer / jig Installation kit included for front and side fixing

Part No.	Description	Box Qty.
W22014••	Lockable with 12 mm flat strike	10

Color Code	Description	Color Code	Description
11	Silver	16	White
19	Primrose	17	Black
23	Doeskin		



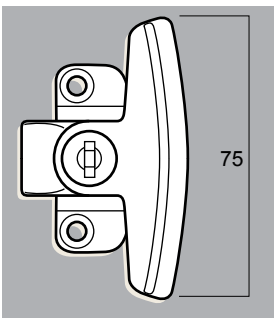
Whitco Sliding Window Lock

• Premium zinc diecast metal sliding window lock

Part No.	Description	Box Qty.
W2856••	Lockable with 12 mm flat strike	10
W2857••	Lockable with Timber frame strike	10

Part No.	Description	Box Qty.
W2851••	Non-Lockable with 12 mm flat strike	10
W2852••	Non-Lockable with Timber frame strike	10

Color Code	Description	Color Code	Description
02	Bright Gold	14	Pottery
05	Satin Chrome	16	White
08	Bright Chrome	17	Black
11	Silver	19	Primrose
12	Mahogany	28	Stone Beige
13	Brown	41	White Birch



Whitco Keyed Sash Lock



- Key Lockable swivel action double hung window lock

Part No.	Description	Box Qty.
W2736••	Wide Base including fixing screws & Standard keeper	10
W2733••	Standard base including fixing screws & Slimline keeper	10

Color Code	Description	Color Code	Description
02	Bright Gold	14	Pottery
05	Satin Chrome	16	White
08	Bright Chrome	17	Black
11	Silver	19	Primrose
12	Mahogany	28	Stone Beige
13	Brown	41	White Birch



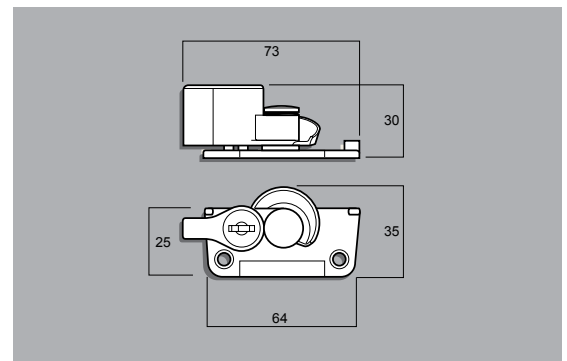
Timber



Aluminium



Double Hung



Wide Base

Whitco Safety Lock

- Latchable swivel action double hung window lock

Part No.	Description	Box Qty.
W2702••	Wide Base including fixing screws & standard keeper	10
W2790••	Standard including fixing screws & standard keeper	10

Color Code	Description	Color Code	Description
02	Bright Gold	14	Pottery
05	Satin Chrome	16	White
08	Bright Chrome	17	Black
11	Silver	19	Primrose
12	Mahogany	28	Stone Beige
13	Brown	41	White Birch



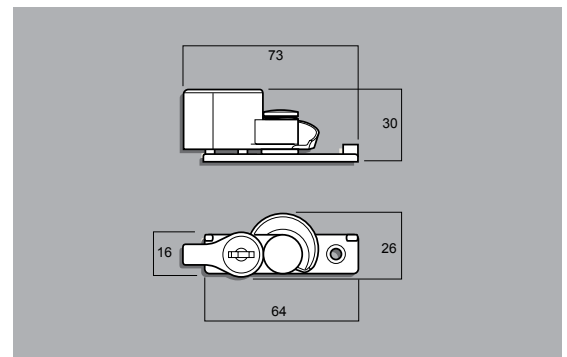
Timber



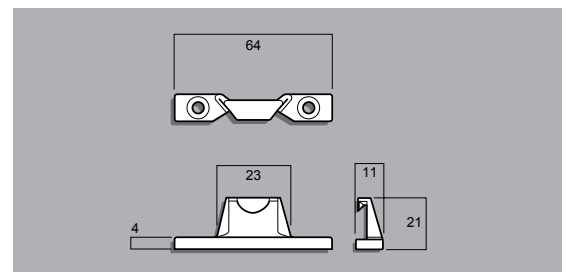
Aluminium



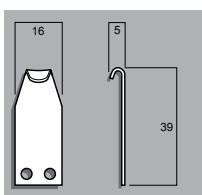
Double Hung



Standard Base

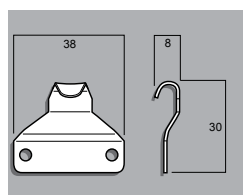


Beresfield Keeper



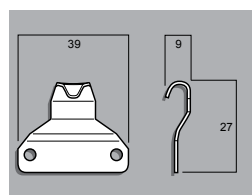
W271604

Dowell Keeper



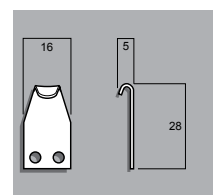
W272404

Modified Dowell Keeper



W271804

T259 Keeper



W271704



Whitco Sash Lifts




Part No.	Description	Box Qty.
W4102••	Whitco Sash Lifts	100

Color Code	Description
02	Bright Gold
05	Satin Chrome
08	Bright Chrome
11	Silver
13	Brown
41	White Birch

Color Code	Description
14	Pottery
16	White
17	Black
19	Primrose
28	Stone Beige

 Timber

 Double Hung

Part No.	Description	Box Qty.
SU-•4220	Superior Bras Fitch Fastener Narrow Style	8

Color Code	Description	Color Code	Description
0	Brass	4	Satin Chrome
3	Bright Chrome	2	Antique



Timber

Double Hung

Part No.	Description	Box Qty.
SU-•4036	Superior Brass Fitch Fastener Narrow Style	8

Color Code	Description	Color Code	Description
0	Brass	4	Satin Chrome
3	Bright Chrome	2	Antique



Timber

Double Hung

Part No.	Description	Box Qty.
SU-•3088	Superior Brass Ribbed Hook Sash Lift	20

Color Code	Description	Color Code	Description
0	Brass	4	Satin Chrome
3	Bright Chrome	2	Antique



Timber

Double Hung

Part No.	Description	Box Qty.
SU-•3131	Superior Brass Hook Sash Lift - Oval Based	20

Color Code	Description	Color Code	Description
0	Brass	4	Satin Chrome
3	Bright Chrome	2	Antique



Timber

Double Hung



Part No.	Description	Box Qty.
SU-•3020	Superior Brass Ring Sash Lift 42mm x 18mm Projection 30mm*	20

Color Code	Description	Color Code	Description
0	Brass	4	Satin Chrome
3	Bright Chrome	2	Antique



Timber



Double Hung



Part No.	Description	Box Qty.
DE-•22	Preston Fanlight Operator	10
Continuous Cord is Available in Lengths 2 - 7 meters in 0.5 meter increments		

Color Code	Description	Color Code	Description
0	Brass	4	Satin Chrome
3	Bright Chrome	2	Antique



Timber



Skylight



Part No.	Description	Box Qty.
SU-•3062	Superior Brass Casement Stay Side Fix (Length 300, Projection 30)	2

Color Code	Description	Color Code	Description
0	Brass	4	Satin Chrome
3	Bright Chrome	2	Antique



Timber



Casement



Part No.	Description	Box Qty.
SU-•4184	Superior Brass Casement Stay Side Fix(Length 140 Projection 30)*	2

Color Code	Description	Color Code	Description
0	Brass	4	Satin Chrome
3	Bright Chrome	2	Antique



Timber



Casement

Part No.	Description	Box Qty.
SU-•4183	Superior Brass Quadrant Stay 150mm*	10



Color Code	Description	Color Code	Description
0	Brass	4	Satin Chrome
3	Bright Chrome	2	Antique



Timber

Top Hung

Part No.	Description	Box Qty.
SU-•3016	Superior Brass Casement Stay 300mm*	2



Color Code	Description	Color Code	Description
0	Brass	4	Satin Chrome
3	Bright Chrome	2	Antique



Timber

Awning

Part No.	Description	Box Qty.
SU-•4420	Superior Brass Casement Stay Screwdown 250mm	2
SU-•4421	Superior Brass Casement Stay Screwdown 300mm	2



Color Code	Description	Color Code	Description
0	Brass	4	Satin Chrome
3	Bright Chrome	2	Antique



Timber

Awning

Part No.	Description	Box Qty.
SU-•4182	Superior Brass Telescopic Casement Stay Gravity Stop 300mm	2



Color Code	Description	Color Code	Description
0	Brass	4	Satin Chrome
3	Bright Chrome	2	Antique



Timber

Awning



Part No.	Description	Box Qty.
SU-3063	Superior Brass Casement Fastener Tear Drop*#	8

Color Code	Description
0	Brass
3	Bright Chrome

Color Code	Description
4	Satin Chrome
2	Antique



Timber



Casement



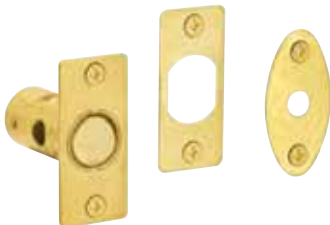
Part No.	Description	Box Qty.
SU-5034	Superior Brass Security (rack) Bolt Key	1



Timber



All Window Styles



Part No.	Description	Box Qty.
SU-5032	Superior Brass 32mm Security (Rack) Window Bolt	10
SU-5033	Superior Brass 60mm Security (Rack) Window Bolt	10

Color Code	Description
0	Brass
3	Bright Chrome

Color Code	Description
4	Satin Chrome
2	Antique



Timber

Weatherfold 4s 50-100



Stunning Indoor/Outdoor Spaces

Whether it's entertaining family and friends or hosting your most valued customers, Brio brings a stylish edge when it comes to using space more efficiently.

Exterior folding doors are without a doubt the new vogue in indoor/outdoor living today. Whether you need to connect or partition an outdoor area; exterior folding doors open and close effortlessly, and stack unobtrusively to create wide open vistas.

Brio's Weatherfold series has long been recognized as the architectural standard in exterior folding door hardware - the original, often imitated, never surpassed.

Designed in Australia, Brio Weatherfold is trusted by major window and door manufacturers. We work closely with these manufacturers to develop innovative solutions that work harmoniously with their products in residential and commercial applications.

Application

Brio's Weatherfold series is recognised as the architectural standard in exterior folding door hardware. Brio Weatherfold 4s is a top hung exterior folding system which can handle panels up to 100kg with precision and ease. Large openings of 3.3m high and 16m wide can be achieved with 8 equal size panels folding seamlessly in each direction with inward or outward opening functionality.

Suitable for aluminium and timber doors in 50kg and 100kg capacities with seals, locking and flush bolt options available. Matching hardware comes in three premium finishes: Stainless (SS), Polished Stainless (PS) and PVD Brass (PB). Hinge sets are Non-Mortice or Mortice Square Corner type. The Brio 612 Retractable Pleated Insect Screen is designed to seamlessly integrate with the 4s range.

Specification:

4s 50

Max Panel Weight: 50kg

Max Panel Width: 1000mm

Max Panel Height: 3000mm

Min Panel Thickness: 35-68mm

Max Number of Panels: 8 each way

4s 100

Max Panel Weight: 100kg

Max Panel Width: 1000mm

Max Panel Height: 3300mm

Min Panel Thickness: 35-68mm

Max Number of Panels: 8 each way



Application

For residential and commercial folding doors where weatherproofing of the opening is required.

This section covers Weatherfold 4s 50, 75 & 100 hardware suitable for non mortice aluminium applications.

When extra corrosion resistance is required Weatherfold 4s is available with precision stainless steel bearings.

Door Specifications

Track System:	Weatherfold 4s 50	Weatherfold 4s 75/100
Max Panel Height	3000mm	3300mm
Max Panel Weight	50kg	75/100kg
Max Panel Width	1000mm	1000mm
Panel Thickness	35-68mm	35-68mm
Max No. of Panels	8 each direction	8 each direction

Hardware Specifications - Timber Panels

Track:	180	250
Material	Aluminium in Mill or Clear Anodised	
Standard Lengths	2000mm, 3000mm, 4000mm and 6000mm	

Hanger Sets:		
Intermediate Hanger Set:	Includes Hanger, Guide and Hinge BWS4-50H BWS4-100H	
End Hanger Set:	Includes Hanger and Guide	
Face Fix	BWS2-50F	BWS2-75F (75kg) BWS2-100F (100kg)
Edge Fix	BWS2-50H	BWS2-75H (75kg) BWS2-100H (100kg)

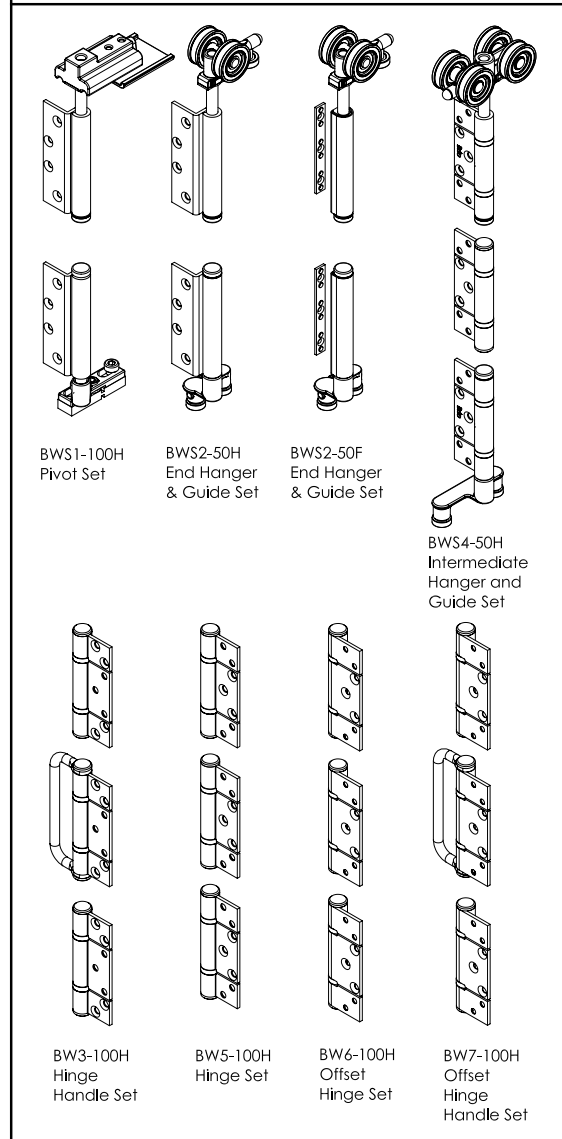
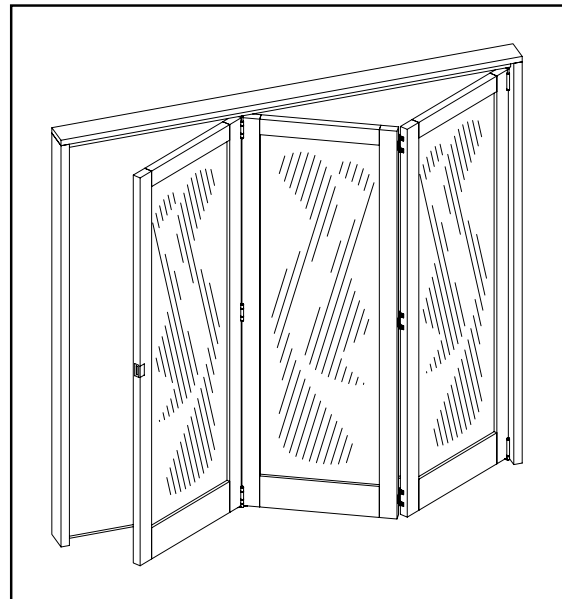
Pivot Set:	Top & Bottom Pivots	
	BWS1-100H	BWS1-100H

Hinge Sets:		
Hinge Handle Set	BW3-100H	BW3-100H
Offset Hinge Handle Set	BW7-100H	BW7-100H
Hinge Set	BW5-100H	BW5-100H
Offset Hinge Set	BW6-100H	BW6-100H

Channels:		
Polypropylene	94P	94P
Polyprop Plus Support	94PPA	94PPA
Aluminium	94A	94A
Standard lengths	2000mm, 3000mm, 4000mm and 6000mm	

Accessories:		
Flush Pull	402	402
Flush Bolt - 400mm	512-400	512-400
Flush Bolt - 600mm	512-600	512-600
Flush Bolt - 900mm	512-900	512-900
Flush Pull	401	401
Flush Bolt - 190mm	456	456
Flush Bolt - 450mm	456L	456L
Mortice Lock	6200	6200
Frame Seal - White	AQ21W	AQ21W
Frame Seal - Brown	AQ21B	AQ21B
Door Seal - White	AQ63W	AQ63W
Door Seal - Brown	AQ63B	AQ63B
Track Seal	PS13B	PS13B

Finish options
Hardware: (SS) Satin Stainless, (PS) Polished Stainless, (PB) PVD Brass.
Flushbolts: (SN) Satin Nickel, (PVDB) PVD Brass.



Brio 612 Retractable Pleated Insect Screen

the ultimate screening solution

small
profile
design

Designed by Marc Dixon, Architect

The largest screen available in Australia, made in Australia!

Brio 612 Retractable Pleated Insect Screen seamlessly brings the outdoors in for contemporary living. The impressive 3.2 metre high and 9 metre wide span (double screen) does not compromise views or ventilation and functions independently to any specific window or door system. This versatile product can be fully integrated into a variety of windows, stacking sliders, French doors and bifolds with corner applications easily achieved. An array of colour options make integrating the Brio 612 screen into a project simple and clean. Contact Brio today for more information on this and all of our product range. Screen pictured with Brio Single Run 180 Straight Sliding Door Hardware.

Brio®

Brio 612 Retractable Pleated Insect Screen with Weatherfold 4s

the retrofit solution

new!

Open up your home today with Brio's new retrofit screen

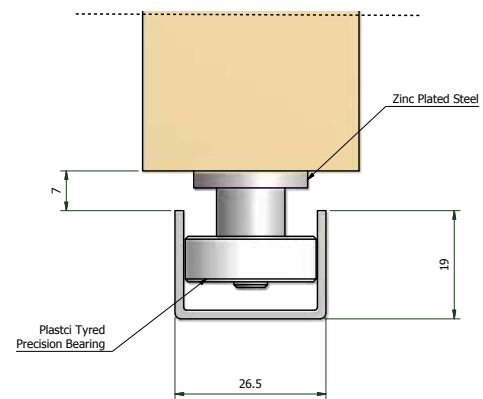
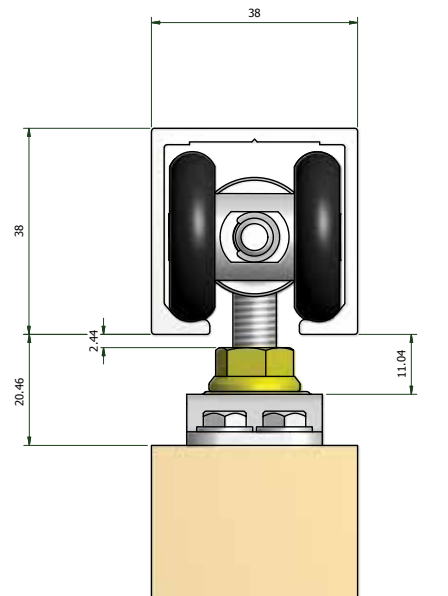
The already flexible Brio 612 Retractable Pleated Insect Screen is now even easier to install with the ability to be added to pre-existing window and door systems which have suitable outer frames. The Brio 612 aluminium framing kit has been developed to allow for face fix application which is then easily dressed by timber architraves for a seamless finish. A clean and effective solution to rescue straight sliding or folding door systems which lack suitable insect screening. Available in a variety of colours with the capability to screen openings up to 3.2m high and 4.5m wide.

Brio®

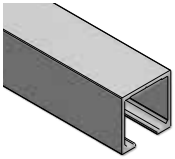
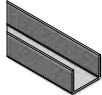
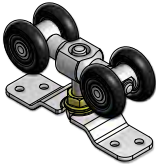

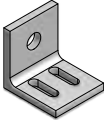
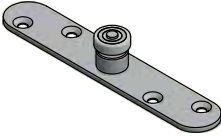
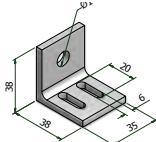
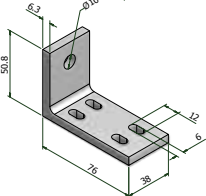
These breathtaking modern sliding door systems are easier to install and use than you may think, and the TOMMASLIDE system brings all the possibilities of a spectacular sliding door within your range.

- Straightforward, easy to understand instructions.
- Suitable for panels up to 200 Kgs
- Unique compact track allows for reduced frame section without compromising load capacity.
- Highest quality components with a 10 year warranty
- Simple adjustment system.

Full technical support is also offered on 03 9939 6888. Our knowledgeable and friendly staff will be more than happy to talk you through any technical or specification questions you may have.



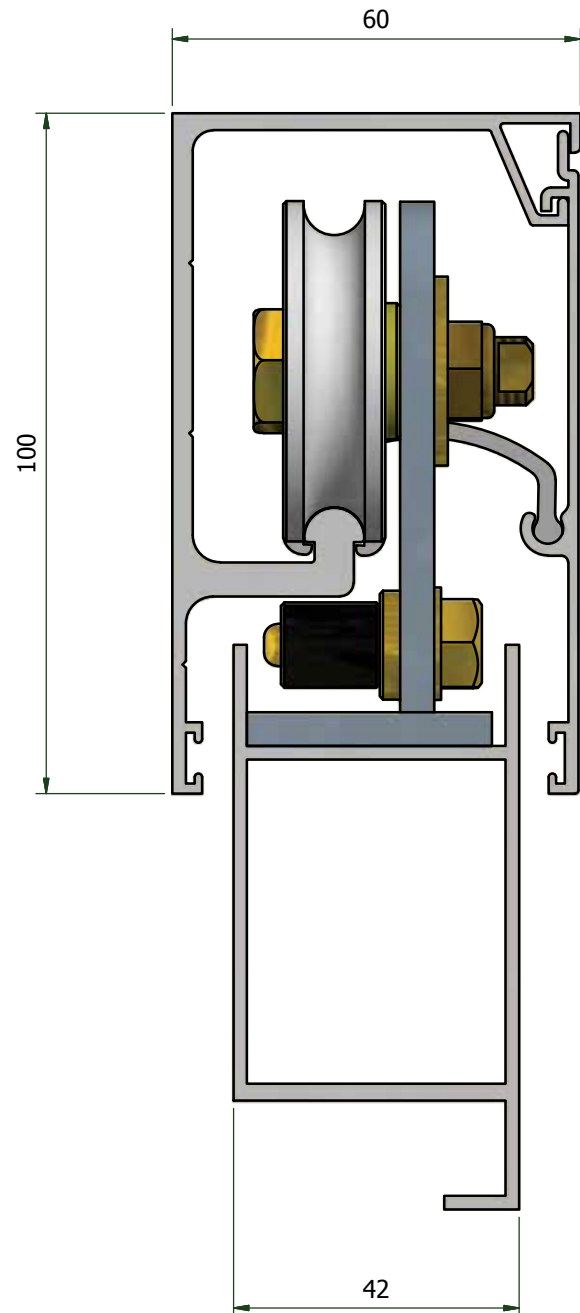
PARTS LIST

	DESCRIPTION	PART NUMBER
	6.0 Meter aluminium top track - Clear Anodised. 3.0 & 4.0 lengths available	60-TT6000-CA
	6.0 Meter aluminium bottom track - Clear Anodised. 3.0 & 4.0 lengths available	60-BT6000-CA
	Four Wheel, Machined Polymer tyres 100kg capacity	20-TW460-NA
	Adjustable high impact adjustable door stop	45-400-DS35
	Aluminium bottom guide to suit 5mm x 25mm saw cut	20-BG100-CA
	Single wheel Stainless Steel bottom guide	20-BG220-SS
	Single track mounting Bracket	20-TB100
	Double Track Mounting Bracket	20-TB200

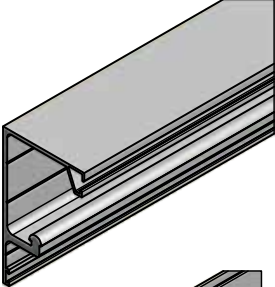
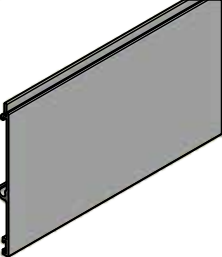

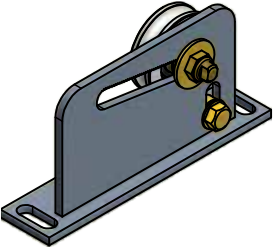

The new TOMMASLIDE Partition System is slim line heavy duty and smooth operating.

- Slim line profile only 100mm high.
- Retrofits into existing systems.
- Turned acetal tyre for smooth operation
- Will carry the same load as the 115mm systems
- Snap in cover with plastic retention clips

Full technical support is also offered on 03 9939 6888. Our knowledgeable and friendly staff will be more than happy to talk you through any technical or specification questions you may have.



PARTS LIST

DESCRIPTION	PART NUMBER
	Aluminium top track 3.6m Aluminium top track 5.6m 20-PA 50 TT 360-CA 20-PA 50 TT 560-CA
	Aluminium pelmet cover 3.6m Aluminium pelmet cover 5.6m 20-PA 50 PT 360-CA 20-PA 50 PT 560-CA
	Plastic resin extrusion joiner 20-PA 50 CLP
	Aluminium bracket with plastic tyred bearing 20-PA 50100 NA
	Plastic resin end cap 20-PA 50 EC - TOMMA

DOOR HARDWARE

HINGED DOOR CLOSERS



Dorma TS 93 Cam Action Closers With Slide Channel



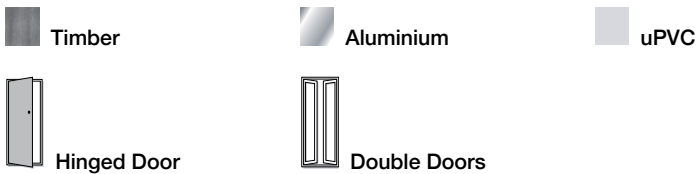
- More compact, lighter and more elegant.

DORMA has set new standards with its TS 93 cam-action door closer system. Offering further technical refinements and enhanced sophistication, it constitutes an even more impressive specification

Part No.	Description
DO-TS93BN ●●●	Ts93 Door Closer Slide Arm (Pull Side)
DO-TS93BNRF ●●●	Ts93 Door Closer Slide Arm H/open (Pull Side)
DO-TS93NG ●●●	Ts93 Door Closer Slide Arm (Push Side)
DO-TS93NGRF ●●●	Ts93 Door Closer Slide Arm H/open (Push Side)
Universal Cover plate	



Color Code	Description
SIL	Silver



Dorma TS 83 Rack And Pinion Door Closers



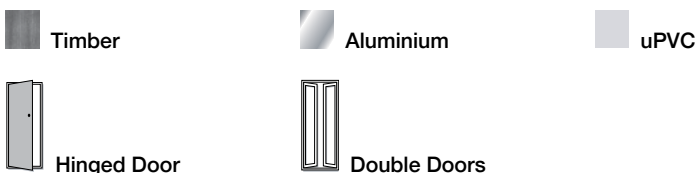
- Easy to fix and even easier to adjust. The door closer for almost every door size and application.

Decades of experience have gone into the development of the DORMA TS83.

The result is user comfort coupled with outstanding versatility. It can be adjusted to suit almost all types of door. It can even be supplied with additional anti-corrosion protection for exposed applications or aggressive conditions.

Part No.	Description
DO-TS83 ●●●	Ts83 Door Closer B/check Std Arm - Silver
DO-TS83H ●●●	Ts83 Door Closer H/open Arm - Silver

Color Code	Description
SIL	Silver





Dorma BTS 80 Door Springs

• Floor springs designed especially for fire and smoke doors. Wide range of functions, quality assured. CERTIFIED approved for use on certain fire doors: See certificate no. 128 (BTS 80 F and EMB). Complies with requirements of HTM 59 (DOH). PSA approved (MOB H3 03).



Part No.	Description
DO-BTS80A ●●●	Bts80 Flr Spring Complete Adj H/open (Aluminium)
DO-BTS80T ●●●	Bts80 Flr Spring Complete Adj H/open (Timber)



Timber



Aluminium



uPVC



Hinged Door



Double Doors



Dorma BTS 84 Door Springs - Fire Rated

• A compact and resistant hydraulic spring, only 40 mm of height and indicated for doors with weight of up to 100 kg. Presented in two power versions: EN 2 and EN 4. Closing speed can be adjusted by two independent valves



Part No.	Description
DO-BTS84A ●●●	Bts84 Flr Spring Complete Non H/open (Aluminium)
DO-BTS84AH ●●●	Bts84 Flr Spring Complete 90deg H/open (Aluminium)
DO-BTS84T ●●●	Bts84 Flr Spring Complete Non H/open (Timber)
DO-BTS84TH ●●●	Bts84 Flr Spring Complete 90deg H/open (Timber)



Timber



Aluminium



uPVC



Hinged Door



Double Doors



DORMA RTS 85 DOOR CLOSER

The DORMA RTS 85 transom concealed door closer offers a solution for installations where door control must be provided without disturbing the aesthetic appearance of the door. A complete line of accessories is available to accommodate virtually any door and frame configuration.



Part No.	Description
DO-RTS85 ●●●	Dorma Rts 85 Door Closer
Specify Ho Or Nho En3-5	



Timber



Aluminium



uPVC



Hinged Door



Double Doors

Ryobi 60 Series Door Closer

- Ryobi 60 series door closers represent a high quality non fire rated door closer that combines stylish looks with basic operational features at a reasonable cost.
- four models to choose from that suit different door weights.
- supplied with either a standard opening arm or with a parallel arm
- all models have adjustable closing and latching speeds
- non handed and reversible for all situations

Part No.	Description	Door Weight	Box Qty.
RY-62	60 Series Standard Arm	45kg	10
RY-62P	60 Series Parallel Arm	45kg	10
RY-63	60 Series Standard Arm	60kg	10
RY-63P	60 Series Parallel Arm	60kg	10
RY-64	60 Series Standard Arm	75kg	6
RY-64P	60 Series Parallel Arm	75kg	6

Color Code	Description
SIL	Silver

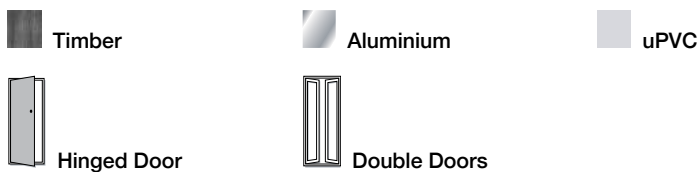


Ryobi 60 Series Door Closer Hold Open

- Ryobi 60 series hold open door closers represent a high quality non fire rated door closer that combines stylish looks with basic operational features at a reasonable cost. These closers have a built in hold open
- four models to choose from that suit different door weights.
- supplied with either a standard opening arm or with a parallel arm
- all models have adjustable closing and latching speeds
- non handed and reversible for all situations

Part No.	Description	Door Weight	Box Qty.
RY-162	60 Series Standard Arm Hold Open	45kg	10
RY-162P	60 Series Parallel Arm Non Open	45kg	10
RY-163	60 Series Standard Arm Hold Open	60kg	10
RY-163P	60 Series Parallel Arm Hold Open	60kg	10

Color Code	Description
SIL	Silver



HINGED DOOR CLOSERS

RYOBI

RYOBI 2100 Overhead Door Closer

- Ryobi 2100 series door closers are a high quality door closer that combines stylish looks with basic operational features
- non handed and reversible for all situations
- fire rated
- adjustable from a size 2 door closer up to a size 4 door closer
- 50 kg up to 85kg weight by using built in adjustments on the closer



Part No.	Description	Box Qty.
RY-D2100BCVS	2100 Series Universal Closer	10

Color Code	Description
SIL	Silver



Timber



Aluminium



uPVC



Hinged Door



Double Doors

RYOBI

RYOBI D-2550 Overhead Door Closer

- Ryobi 2550 series is a versatile commercial door closer.
- Features include:
 - power adjustable from 1 • 4 strengths • pre set at a factory 3 setting • suitable for standard & parallel arm fixings with both arms supplied in the box • torque adjustment fitted to the closer to either increase or decrease the power of the closer • suitable for either solid or hollow core doors • fully adjustable closing & latching speed controls
 - fully adjustable backcheck feature • fire rated • non handed



Part No.	Description	Box Qty.
RY-2550	Non Hold-open Standard	10
RY-2550P	Non Hold-open Parallel	10
RY-2550 UNIV	Non Hold-open Universal	10
RY-2550	Hold-open Standard	10
RY-2550P	Hold-open Parallel	10

Color Code	Description
SIL	Silver,



Timber



Aluminium



uPVC



Hinged Door



Double Doors

RYOBI D-3550 Overhead Door Closer



- Ryobi 3550 series is a versatile commercial door closer. Features include:
- power adjustable from 2 • 6 strengths
- pre set at a factory 3 setting
- weight versatility to go from 50 kg up to 150kg
- non handed

Part No.	Description	Box Qty.
RY-D3550 DABCS	Non Hold-open Standard	10

Color Code	Description
SIL	Silver

Timber
 Aluminium
 uPVC



RYOBI 8800 Overhead Door Closer



- The design and build quality of the 8800 series should ensure that the closer performs the perfect basic function and provide a lifetime of trouble free service by the latest production technology. The 880 series range includes model which had been successfully type tested for conformity to all of the requirements of EN1154 and EN1634 part 1.

Part No.	Description	Door Weight	Box Qty.
RY-8802 ABCS	8800 Series Std/Universal Arm with Back Check	45 Kg	10
RY-8803 ABCS	8800 Series Std/Universal Arm with Back Check	65 Kg	10
RY-8804 ABCS	8800 Series Std/Universal Arm with Back Check	85 Kg	10

Color Code	Description
SIL	Silver

Timber
 Aluminium
 uPVC



DOOR HARDWARE

HINGED DOOR CLOSERS



Ryobi Transom Closer (C.O.C)



- Ryobi concealed overhead door closers offer:
- cast iron housing, high tensile cam shaft and ball bearing bottom pivot
- cycle tested to over one million operations.
- fully adjustable in door alignment, vertical positioning, heel to frame positioning via arm, arm channel & bottom pivot
- they are fully adjustable for door closing speed
- available in hold open or non hold open models
- available with opening options of 90 & 105 degrees



Part No.	Description	Door Weight	Box Qty.
RY-30-22	90 degrees hold open	70kg	6
RY-30-32	90 degrees hold open	110kg	6
RY-30-42	90 degrees hold open	170kg	6
RY-30-30	105 degrees hold open	110kg	6
RY-30-23	90 degrees non hold open	70kg	6
RY-30-33	90 degrees non hold open	110kg	6
RY-30-43	90 degrees non hold open	170kg	6
RY-30-21	105 degrees non hold open	70kg	6
RY-30-31	105 degrees non hold open	110kg	6



Part No.	Description	Box Qty.
RY-30ARMCHAN	30 Series Arm Channel Only	1



Part No.	Description	Box Qty.
RY-30ARM	30 Series Adjustable Side Loading Arm Only	1



Part No.	Description	Box Qty.
RY-30FHT SSS	30 Series Top Pivot	1

Part No.	Description	Box Qty.
RY-30FLOOR	30 Series Floor Pivot Set Only	1



Timber



Aluminium



Hinged Door



Double Doors

1300V Series Door Closers

The Novas 1300V Series Hydraulic Door Closer comes with a slimline body, compact in size and with power adjustment for maximum flexibility. Applications include regular arm, parallel arm, top jamb, track arm and adjustable backcheck function.



Part No.	Description	Box Qty.
NH-1300VBC ●●●	1300 Series Universal Adjustable size 2-4 Closer 75kg Door Weight	10
NH-1300VTR ●●●	1300 Series Slide Arm Adjustable size 2-4 Closer 75kg Door Weight	10
NH-1500VBC ●●●	1500 Series Universal Adjustable size 2-5 Closer 90kg Door Weight	10
NH-1500VTR ●●●	1500 Series Slide Arm Adjustable size 2-5 Closer 90kg Door Weight	10



Color Code	Description
SIL	Silver



ASSA ABLOY



Lockwood 7714 Hydraulic Door Closers

- A range of adjustable power door closer units suitable for architectural and commercial applications

Part No.	Description	Box Qty.
LW-7714	7714 Series Door Closer	8
LW-7714H	7714 Series Door Closer Hold Open	8
LW-7714SR	7714 Series Door Slide Rail	8

Color Code	Description
SSS	Satin Stainless Steel
GLD	Gold

Color Code	Description
PSS	Polished Stainless Steel



Timber



Aluminium



uPVC



Hinged Door



Double Doors



ASSA ABLOY



Lockwood 7724 Hydraulic Door Closers

- A range of power adjustable size 2-4 door closers suitable for architectural and commercial applications. Designed for hinged doors that weigh up to 80kg.

Part No.	Description	Box Qty.
LW-7724	7724 Series Door Closer	10
LW-7724H	7724 Series Door Closer Hold Open	10
LW-7724SR	7724 Series Door Slide Rail	10

Color Code	Description
SIL	Silver
GLD	Gold

Color Code	Description
BRN	Brown
BLK	Black



Timber



Aluminium



uPVC



Hinged Door



Double Doors

DOOR HARDWARE

HINGED DOOR CLOSERS



Lockwood 2616 CAM Action Door Closer with Slide Arm



• The Lockwood 2616 CAM Action Door Closer is a premium, high quality door closing device. When opening a door fitted with a Lockwood 2616 CAM Action Door Closer, the force required is less than that of a rack and pinion type door closer and continues to decrease through the opening arc.

Part No.	Description	Box Qty.
LW-2616xxx	2616 Cam Action Door Closer	2
LW-2616104 SIL	2616 Angle Bracket	2
LW-2616-180 SIL	2616 Mounting Plate	2

Color Code	Description	Color Code	Description
DASSS	Satin Stainless Steel	DAPB	Polished Stainless Brass
DASIL	Silver		



Timber



Aluminium



Hinged Door



Double Doors

Lockwood 7750 Series Floor Springs



• The Lockwood 7750 series floor spring range has been specifically designed to meet situations where pivoted single or double action doors up to 300 kg require positive and consistent operation. Innovative design enables flexibility over a wide range of applications.

Part No.	Description	Box Qty.
LW-7755H905SSS	Non Hold Open	1
LW-7750H105SSS	90° Hold Open	1
LW-7752NBCSSS	105° Hold Open	1



Timber



Aluminium



Hinged Door



Double Doors



ASSA ABLOY



Lockwood 8800 Series Floor Closers

• The Lockwood 8800 Series Floor Closers are designed to provide door control on manually operated double and single action doors in a wide range of commercial applications. The mounting kit provided with the Lockwood 8800 Series will suit glass, timber and aluminium frame door construction as standard.

Part No.	Description	Box Qty.
LW-884•N SSS	Standard Floor Spring Non Hold Open	1
LW-884•H90 SSS	Standard Floor Spring 90° Hold Open	1
LW-884•H105 SSS	Standard Floor Spring 105° Hold Open	1

Code	Description	Code	Description
2	850	3	950
4	1100		



Timber



Aluminium



Hinged Door



Double Doors



ASSA ABLOY



Lockwood 9800 Hydraulic Door Closers

• Lockwood 9800 Series Concealed Overhead Transom Door Closers provide a solution for applications where Suitable for both single and double action doors.

- Adjustable closing and latching speeds. (Closing from 130° to 15°, latching from 15° to 0°.)
- All models feature easy to install side load design.
- Maximum door opening angle of 130°.
- Mechanical hold-open at 90° & 105°. door control must be provided without disturbing the appearance of the door.

Part No.	Description	Box Qty.
LW-985•N	Non Hold Open	4
LW-985•H90	90° Hold Open	4
LW-985•H105	105° Hold Open	4

Code	Description	Code	Description
2	850	3	950
4	1100		



Timber



Aluminium



Hinged Door



Double Doors

DOOR HARDWARE COMMERCIAL LOCKSETS



Lockwood 3582 Short Backset Vestibule Locks

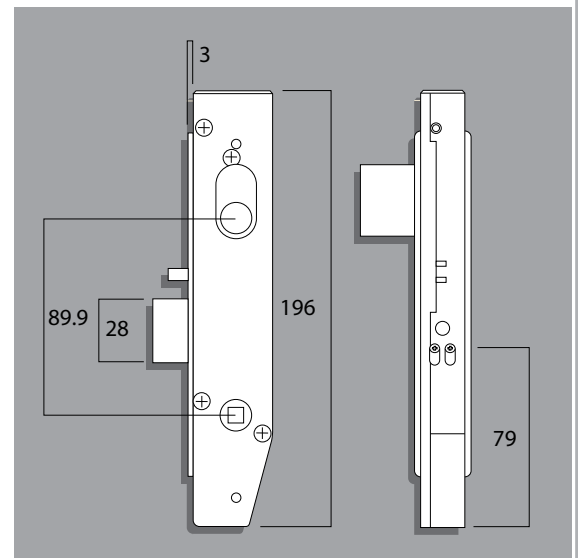
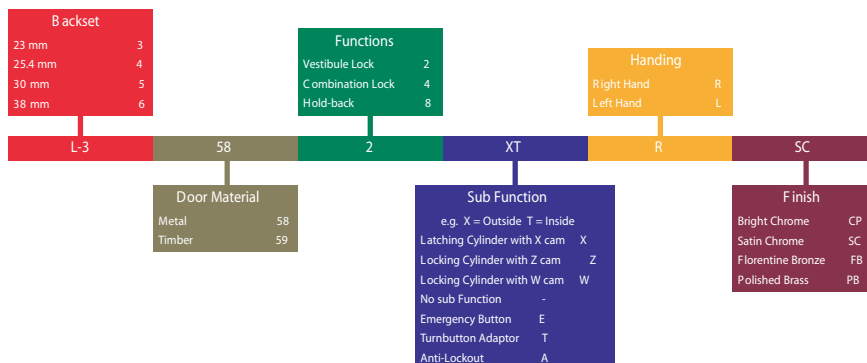
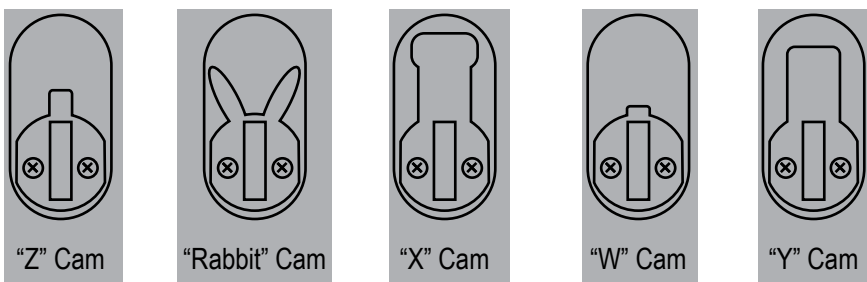


- A comprehensive range of narrow style mortice locks in a vestibule function with a complimentary range of furniture sold as extras. Features include:
- backset of 23mm as standard
- backsets of 25.4mm, 30mm & 38mm available on request
- stainless steel latchbolt
- fully reversible without disassembly to the lock body
- lock function can be changed from escape function to combination function by a simple manipulation of the hub snibs
- suitable for metal doors with a thickness of 35mm • 50mm. It suits hollow stile aluminium door sections with 37mm minimum internal depth

Part No.	Description	Box Qty.
LW-3582	Lockwood 3582 Series Vestibule - Lock Body Only	10

See table below for other combinations

Color Code	Description	Color Code	Description
CP	Chrome Plate	FB	Florentine Bronze
PB	Polished Brass	SC	Satin Chrome





ASSA ABLOY



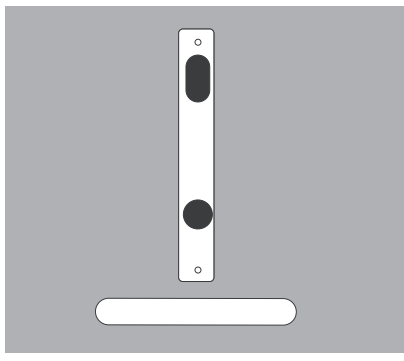
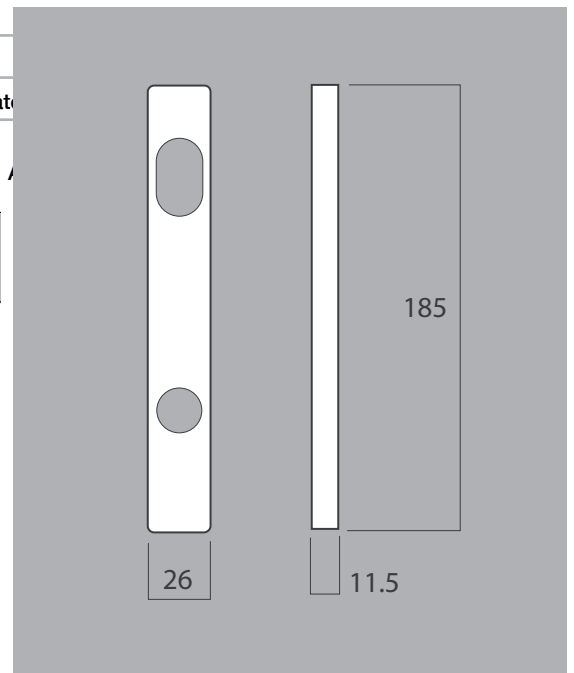
Lockwood 4800 Series Short Backset Mortice

- A slim-line, rectangular brass plate that adds style to your choice of lever. Designed for use with Lockwood 3570 Series and 3580 Series Mortice Latches. Plates are designed to fit back to back. If outside plate is specified with concealed fixing, then the inside plate must be visible fixed. Fixing screws to suit door thickness between 32 and 50 mm. For thicker doors longer screws and spindles must be ordered.
- Also available in 5800 Series on request

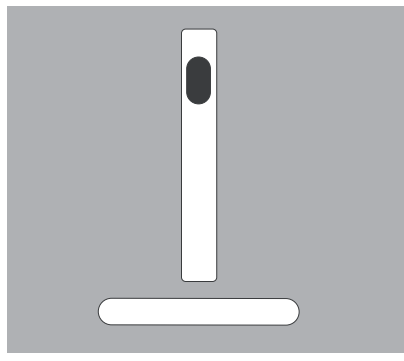
Part No.	Description	Box Qty.
LW-4800	Lockwood External Plate Cylinder Hole & No Lever	10
LW-4801/70	Lockwood External Plate Cylinder Hole & Lever	10
LW-4800/70	Lockwood External Plate Cylinder Hole No Lever	10
LW-4904/70	Lockwood Internal Plate Turn Snib & Lever	10
LW-4905/70	Lockwood Internal Plate No Cylinder Hole & Lever	10
LW-4901/70	Lockwood Internal Plate Cylinder Hole & Lever	10

Color Code	Description	Color Code	Description
CP	Chrome Plate		
PB	Polished Brass		
BC	Black Chrome Plate		

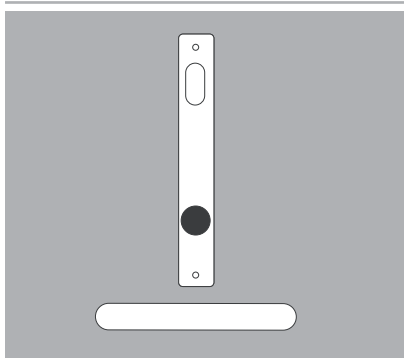
- Timber
- Hinged Door



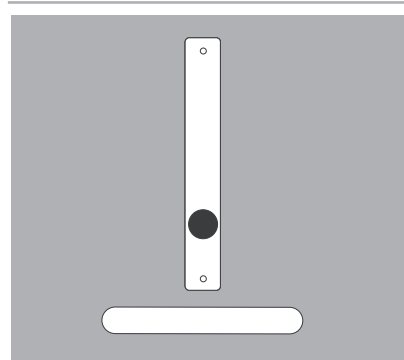
LW-4801/70



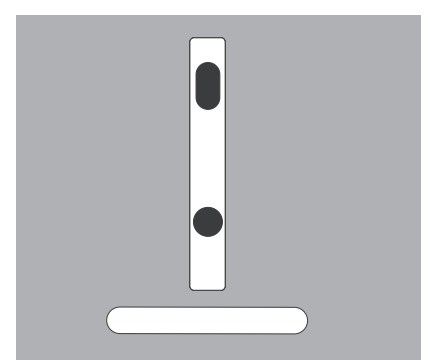
LW-4800/70



LW-4905/70



LW-4901/70



LW-4904/70

LEGEND Cylinder Hole Turnknob Lever

Novas Narrow Style Commercial Locksets



Part No.	Description	Box Qty.
NH-FABKIT01	Novas Narrow Style Cylinder & Turn Kit	10
NH-FABKIT01-30	Novas Narrow Style Cylinder & Turn Kit 30mm Backset	10
NH-FABKIT02	Novas Narrow Style Cylinder & Blank Kit	10
NH-FABKIT02-30	Novas Narrow Style Cylinder & Blank Kit 30mm Backset	10
NH-FABKIT03	Novas Narrow Style Double Cylinder Kit	10
NH-FABKIT03-30	Novas Narrow Style Double Cylinder Kit 30mm Backset	10
NH-FABKIT04	Novas Narrow Style Passage Kit	10



Novas 6000 Series Multi Function Mortice Locks





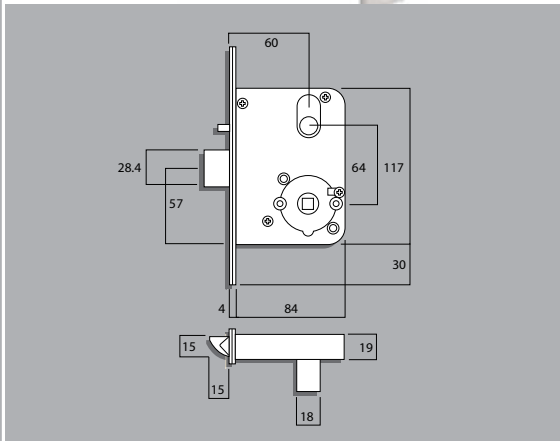
ASSA ABLOY



Lockwood 3572 Standard Backset Locks

• Various latching functions operated generally by key or handle outside and by turnknob, key or handle inside. These locks comply with building regulations for single-action escape doors. For ease of selection specify primary lock eg 3572SC. This lock can then be easily adapted to suit function required.

Part No.	Description	Box Qty.
LW-3572	Lockwood 60mm Backset Vestibule Exit Door Latch -No Cylinder	10



3572 Standard Backset



Timber



Hinged Door



Double Doors



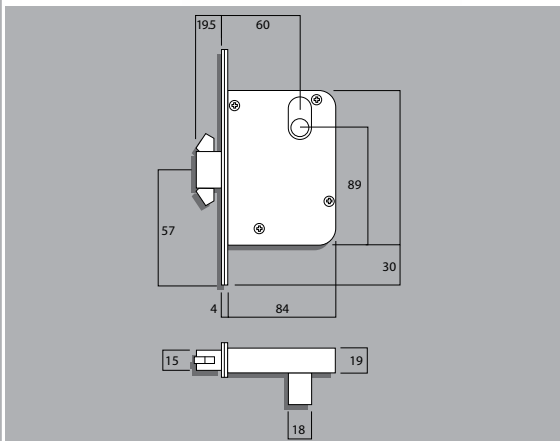
ASSA ABLOY



Lockwood 3573 Sliding Door Deadlocks

• Various latching functions operated generally by key or handle outside and by turnknob, key or handle inside. These locks comply with building regulations for single-action escape doors. For ease of selection specify primary lock eg 3572SC. This lock can then be easily adapted to suit function required.

Part No.	Description	Box Qty.
LW-3573WT	Lockwood 60mm Backset Sliding Door Deadlock -Cylinder & Turn Adaptor	10
LW-3572YY	Lockwood 60mm Backset Sliding Door Deadlock -D / Cylinder	10



3573 Sliding Door



Timber



Sliding Door

Color Code	Description	Color Code	Description
CP	Chrome Plate	FB	Florentine Bronze
PB	Polished Brass	SC	Satin Chrome

DOOR HARDWARE

COMMERCIAL LOCKSETS



Lockwood Digital DX™ Locks

• Mechanical Digital DX locks provide keyless entry with simple, cost free changing of the digital code combination. Lockwood's Mechanical Digital locking range has led the Australian market for nearly two decades. Today the next generation 'DX' locking system raises the security and durability performance of the Lockwood range to a new and unrivalled level.depth



Part No.	Description	Box Qty.
LW-DGT530	530 Series Digital Entrance Set - 60mm Backset	10

Part No.	Description	Box Qty.
LW-3572DO	3572 Series Digital Lockset 60mm Backset- Key Override	10
LW-3572DK	3572 Series Digital Lockset 60mm Backset - Key Override & Code Lockout	10

Part No.	Description	Box Qty.
LW-3572DG	3572 Series Digital Lockset 60mm Backset	10

Part No.	Description	Box Qty.
LW-3582DO	3582 Series Digital Lockset -23mm Backset	10

Color Code	Description	Color Code	Description
SCDP	Satin Chrome	PBDP	Polished Brass Plate



L-DGT530



L-3572DO

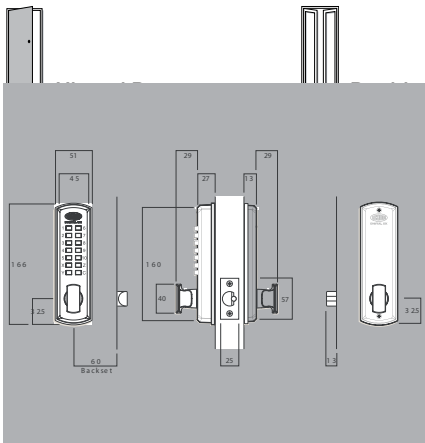


L-3572DO

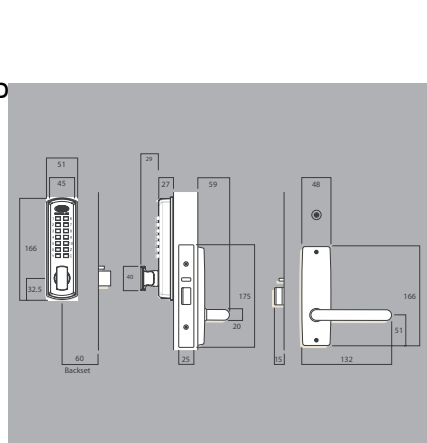


L3582DO

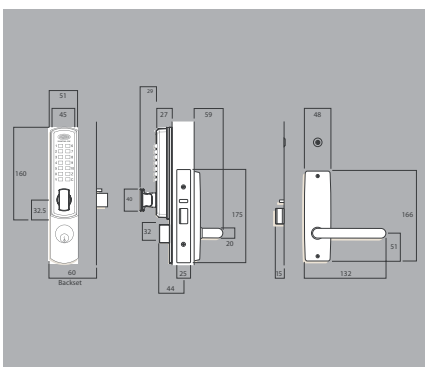
Timber Aluminium



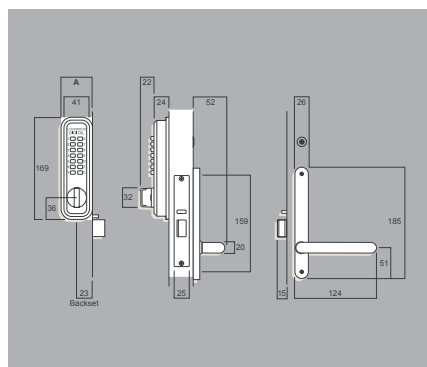
L-DGT530



L3572DG



L3572DO



L3582DO



ASSA ABLOY



3540 Short Backset Mortice Deadlocks

Designed to meet the needs of a wide variety of turns and levers, 3540 incorporates a simple, durable, secure locking mechanism with a 360 degree key rotation for guaranteed locking

- Short backset, swinging-bolt deadlocks suitable for narrow stile hinged doors. Positive action deadbolt locked or unlocked by either key, turnknob, escape turn or handle. Suitable for sliding doors where lock can be mounted to door jamb and deadbolt engages strike mounted to face of door.

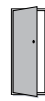
Part No.	Description	Box Qty.
LW-3540	Lockwood 3540 23 mm bolt projection	12



Timber



Aluminium



Hinged Door

3541 Hook Bolt and 3542 Swing Bolt Short Backset Deadlocks

- Short backset, swinging-bolt deadlocks suitable for narrow stile sliding and swing doors. Positive action deadbolt is hooked to engage and lock into a latching or security strike when the bolt is in the thrown position (3541 only). Deadbolt is locked or unlocked by either key, turnknob, escape turn or handle.

Part No.	Description	Box Qty.
LW-3541	Lockwood 3541 28 mm bolt projection	12
LW-3542	Lockwood 3542 35 mm bolt projection	12



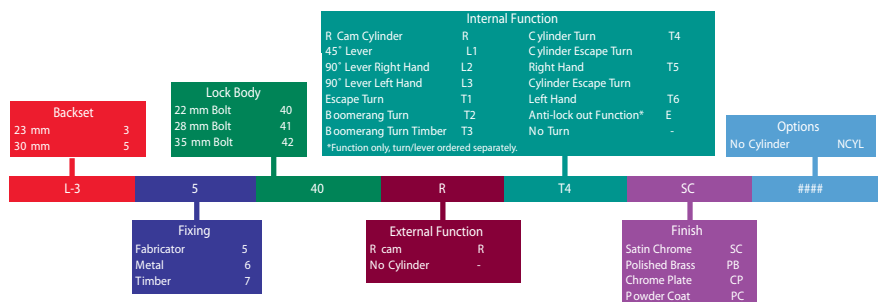
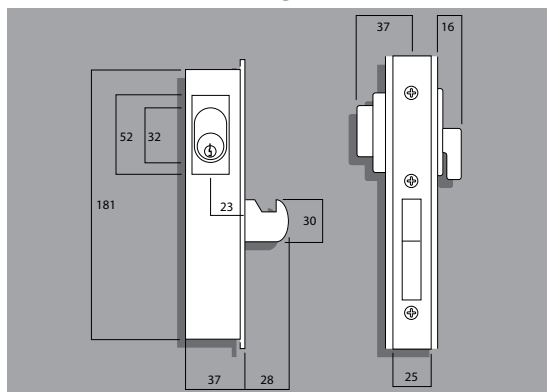
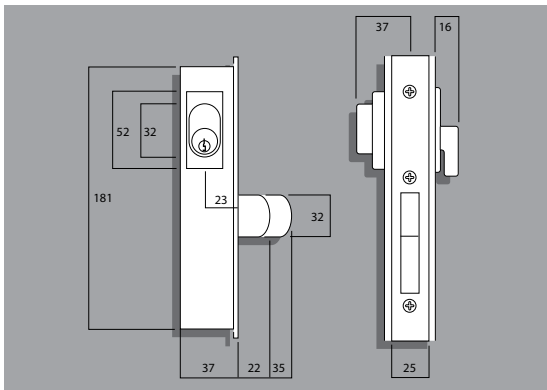
Timber



Aluminium



Sliding Door



DOOR HARDWARE

COMMERCIAL LOCKSETS



3540 Short Backset Mortice Lock - Accessories



Part No.	Description	Box Qty.
LW-SP3540-L3	90° Lever - Left	10
LW- SP3540-L2	90° Lever - Right	



-  Timber
-  Aluminium
-  Hinged Door
-  Double Doors

3540 Short Backset Mortice Lock - Accessories



Part No.	Description	Box Qty.
LW-SP3540-L1	45° Lever	10



-  Timber
-  Aluminium
-  Hinged Door
-  Double Doors

3540 Short Backset Mortice Lock - Accessories



Part No.	Description	Box Qty.
LW-SP3540-T1	Escape Turn	10



-  Timber
-  Aluminium
-  Hinged Door
-  Double Doors

3540 Short Backset Mortice Lock - Accessories



Part No.	Description	Box Qty.
LW-SP3540-T2	Teardrop Turn	10



-  Timber
-  Aluminium
-  Hinged Door
-  Double Doors

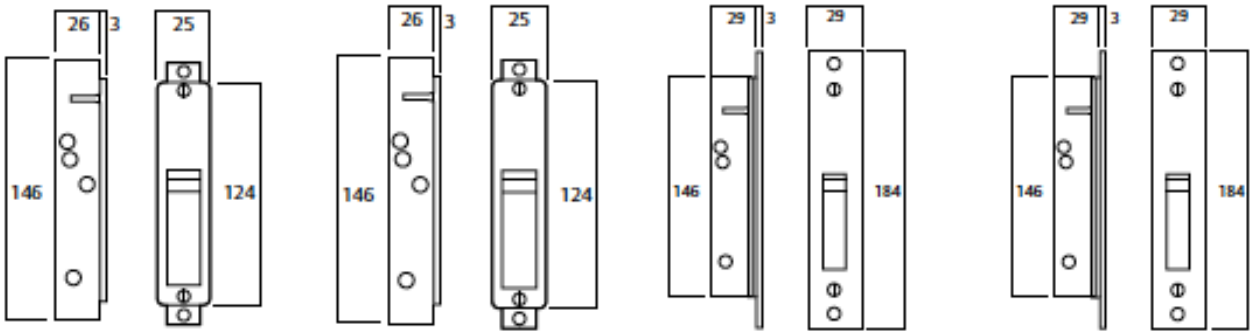


ASSA ABLOY



3540 Short Backset Mortice Lock - Accessories

Part No.	Description	Box Qty.
LW-SP3540 -LS	Latch Strike Fabricator Mounting	10
LW-SP3540-SS	Security Strike Fabricator Mounting	10
LW-SP3640-LS	Latching Strike Timber/Metal Jamb	10
LW- SP3640-SS	Security Strike Timber/Metal Jamb	10



Ryobi Series Short Backset Mortice Locks

- Short backset swing bolt deadlock suitable for aluminium narrow style hinged doors
- Two lockbolt projection sizes 22mm and 36mm

Part No.	Description	Box Qty.
RY-ST2001CTS	Cylinder and Turnknob 22 mm bolt projection	12
RY-ST2001DCS	22 mm bolt projection	12
RY-LT2011CTS	Double Cylinder 37 mm bolt projection	12
RY-LT2011DCS	Double Cylinder 37 mm bolt projection	12

Aluminium



Ryobi Series Hook Bolt

- Short backset swing bolt deadlock suitable for aluminium narrow style sliding doors
- 29mm lockbolt projection

Part No.	Description	Box Qty.
RY-HT2021CTS	Cylinder and Turnknob 29 mm Hook bolt projection	20
RY-HT2021DCS	Double Cylinder 29 mm Hook bolt projection	20

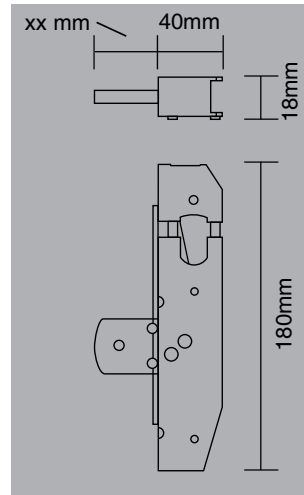
Accessories

Part No.	Description	Box Qty.
RY-20-LEVER	Ryobi Fire Escape Lever	20

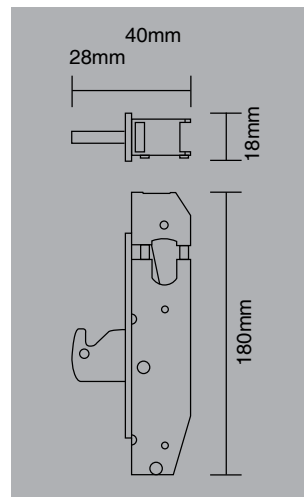
Part No.	Description	Box Qty.
JPH-590HSB	Hookbolt Strike Box	1

Part No.	Description	Box Qty.
JPH-590C	Single Cylinder Only	1

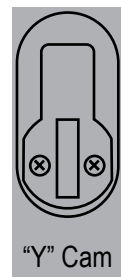
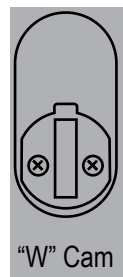
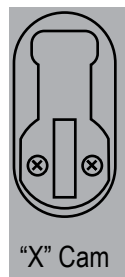
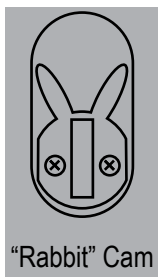
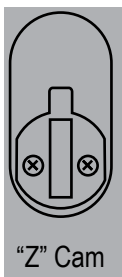
Part No.	Description	Box Qty.
JPH-590T	Turn Snib Only	1



Mortice Lock



Hook Bolt





Entrance Handles Back to Back 25 x 25 Square Section/Offset

Part No.	Description	Box Qty.
NH-6102430	Square Offset Pull 25x25x300 (CTC) x 325mm	12
NH-6102445	Square Offset Pull 25x25x445 (CTC) x 475mm	12
NH-6102460	Square Offset Pull 25x25x600 (CTC) x 625mm	12
NH-6102475	Square Offset Pull 25x25x750 (CTC) x 775mm	12
NH-6102490	Square Offset Pull 25x25x900 (CTC) x 925mm	12
NH-61024120	Square Offset Pull 25x25x1200 (CTC) x 1225mm	12
NH-61024150	Square Offset Pull 25x25x1500 (CTC) x 1525mm	12

Color Code	Description
SSS	Satin Stainless Steel

Color Code	Description
PSS	Polished Stainless Steel



Timber



Aluminium



uPVC



Hinged Door



Double Doors



Entrance Handles Back to Back 50 x 25 Rectangular Section

Part No.	Description	Box Qty.
NH-6102630	Rectangular Stright Pull 25x25x300 (CTC) x 325mm	12
NH-6102645	Rectangular Stright Pull 25x25x445 (CTC) x 475mm	12
NH-6106460	Rectangular Stright Pull 25x25x600 (CTC) x 625mm	12
NH-6102675	Rectangular Stright Pull 25x25x750 (CTC) x 775mm	12
NH-6102690	Rectangular Stright Pull 25x25x900 (CTC) x 925mm	12
NH-61026120	Rectangular Stright Pull 25x25x1200 (CTC) x 1225mm	12
NH-61026150	Rectangular Stright Pull 25x25x1500 (CTC) x 1525mm	12

Color Code	Description
SSS	Satin Stainless Steel

Color Code	Description
PSS	Polished Stainless Steel



Timber



Aluminium



uPVC



Hinged Door



Double Doors

Entrance Handles Back to Back 32mm D Pull

Part No.	Description	Box Qty.
NH-610023032	D Pull 32 x 300 (CTC) x 332mm	12
NH-610024532	D Pull 32 x 450 (CTC) x 482mm	12
NH-610025032	D Pull 32 x 500 (CTC) x 532mm	12
NH-610026032	D Pull 32 x 600 (CTC) x 632mm	12
NH-610027032	D Pull 32 x 700 (CTC) x 732mm	12
NH-610029032	D Pull 32 x 900 (CTC) x 932mm	12

Color Code	Description	Color Code	Description
SSS	Satin Stainless Steel	PSS	Polished Stainless Steel



Timber



Aluminium



uPVC



Hinged Door



Double Doors



Entrance Handles Back to Back 32mm Offset Pull

Part No.	Description	Box Qty.
NH-610043032	Offset Pull 32x300 (CTC) x 332mm	12
NH-610044032	Offset Pull 32x450 (CTC) x 482mm	12
NH-610046032	Offset Pull 32x600 (CTC) x 632mm	12

Color Code	Description	Color Code	Description
SSS	Satin Stainless Steel	PSS	Polished Stainless Steel



Timber



Aluminium



uPVC



Hinged Door



Double Doors





DOOR HARDWARE

COMMERCIAL HANDLES



Part No.	Description	Box Qty.
JPH-B11-1-B16-V	Push Pull Set	12

Color Code	Description
SSS	Satin Stainless Steel

Timber	Aluminium	uPVC
Hinged Door	Double Doors	



Part No.	Description	Box Qty.
JPH-19178/SS	178 x 19mm Single D/Handle - 45deg Off Set	50

Color Code	Description
SSS	Satin Stainless Steel

Timber	Aluminium	uPVC
Hinged Door	Double Doors	Sliding Doors



Part No.	Description	Box Qty.
JPH-PP230••	230mm Push Pull Handles	50

Color Code	Description	Color Code	Description
BK	Black	C	Clear Anodized
BZ	Bronze	M	Mill
WH	White		

• Other Powder coated colours available on request.

Timber	Aluminium	uPVC
Hinged Door	Double Doors	



Part No.	Description	Box Qty.
JPH-FIX	Fixing Ferrules for Push Pull Handles - 2 per Set	100

Timber	Aluminium	uPVC
Hinged Door	Double Doors	

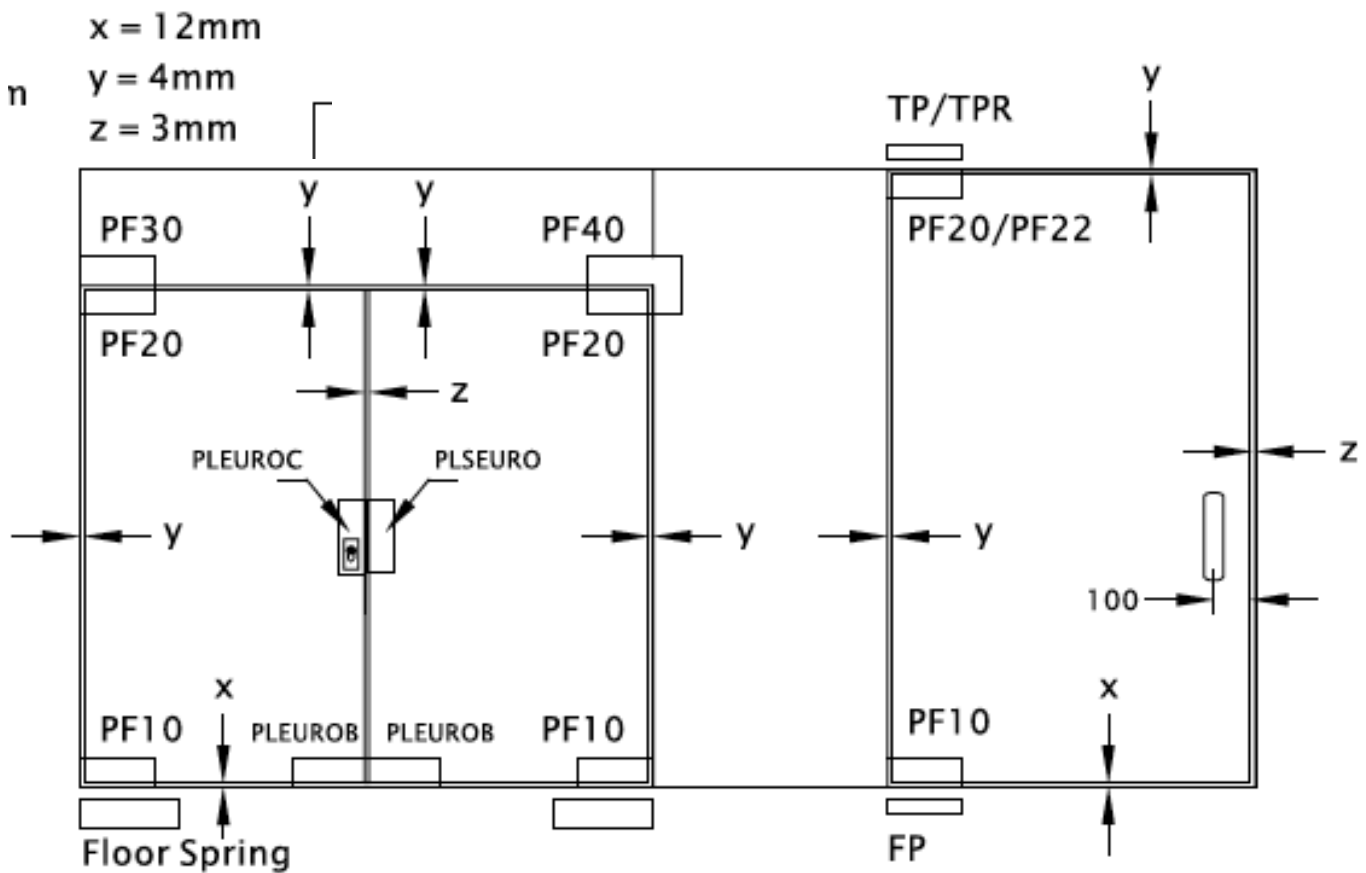


Novas Glass Patch Fitting Collection

• Novas range of Glass Fittings is designed and manufactured with innovated design concept and advanced manufacturing technology. We are continuously developing the stainless steel glass fittings in manufacturing architectural hardware. Product is manufactured from Grade 304 stainless steel. And Grade 316 stainless steel is also available upon request.

For more information on the Novas Patch fitting range. Please contact your JP hardware representative.

Color Code	Description	Color Code	Description
SSS	Satin Stainless Steel	PSS	Polished Stainless Steel



Part No.	Description	Part No.	Description
NHNH-PF10	Bottom Patch	NH-FP	Floor Pivot
NH-PF20	Top Patch With Pivot Insert	NH-FP5	-Packer 5Mm
NH-PF22	Top Patch Transom Closer Insert.	NH-FP10	-Packer 10Mm
NH-PF60	Overpanel Patch With Stop	NH-PL6000	Full Mortice Patch Lock
NH-PF30	Overpanel Patch With Pivot	NH-PLS6000	Maching Glass Strike
NH-PF72	Overpanel Patch With Pivot And Wall Plate	NH-PL3000	Narrow Stilefull Mortice Patch Lock
NH-PF40	Overpanel To Side With Pivot	NH-PLS3000	Maching Glass Strike
NH-PF40S	Overpanel To Side With Stop	NH-PLEUROB	Bottom Patch Lock - Euro Cylinder
NH-TP	Top Pivot Mounting Plate	NH-PLEUROC	Central Patch Lock - Euro Cylinder
NH-TPR	Top Pivot Threaded Rod M8	NH-PLEURO	Central Patch Lock Strike
		NH-EUROTS	Lock Trough, To Suit Euro Bottom Lock

FES20 Locking High Security Electric Door Strike

- The patented FES20 Series high security electric door strikes are manufactured from stainless steel and have the advantage of accepting D.C Voltages from 12 to 36Volts.

The FES20 Series Strikes are pre-drilled for extension lips and the 20M model is provided with full monitoring including true patented "Anti-Tamper." Independently tested, the FES20 Series electric strikes are the strongest of their category.

FES20 Series Strikes now come with a 10mm strike lip as standard, to prevent possible personal injury and damage to clothing as with 15mm lips. The FES20M Strike is SCEC approved for secure areas.

The FES20M, FES20M-R + FES20M-M+FES20M-L2 are all SCEC approved for secure areas.

- 5 year warranty
- Simple Power To Lock/Power To Release interchange
- No loose pins and springs
- Pre-drilled for extension lips
- Mounting kit included
- SCEC Approved for secure areas (FES20M, FES20M-R, FES20M-M, FES20M-L2)
- Fire rated
- CE/C-Tick
- Superior holding strength
- SCEC listing



Part No.	Description
SS-FES20	FES20 Un-monitored Strikes
SS-FES20M	FES20 Monitored Strikes

FES10 Locking High Security Electric Door Strike

- The patented small ANSI footprint, FES10 Series Electric Strikes are designed for light commercial and residential applications. They accept voltages of either 12 or 24VDC, are fire tested up to a 4 hour fire resistance rating to both Australian and British Fire Test Standards.

The strikes are easily site-interchangeable Power To Lock (PTL) or Power To Release (PTR) by simply changing over the Barbell mechanism. The device is pre-drilled to cater for extension lips, come with a 5 year warranty and have a holding strength of up to 1300kg. The FES10M version comes with Door Status Sensor (door latch monitoring). The FES10 version is weather resistant IP56 rated.

- Stainless steel faceplate and keeper
- Patented Barbell mechanism for simple change of locking function
- Low power consumption
- Compatible with door latch depth of up to 15mm
- Weather resistant IP56 (FES10 non monitored only)
- Superior holding strength of up to 1300kg
- 5 year warranty
- 12 or 24VDC operation
- Pre-drilled for extension lips



Part No.	Description
SS-FES10	FES10 Non-monitored electric strike
SS-FES10M	FES10 Monitored electric strike

- Timber
- Aluminium
- uPVC

- Hinged Door
- Double Doors



ISEO Mortice Lock Projection Bolt

- Durable short backset latch and projection or throwbolt deadlock mortice locksets.
- Durable mechanism and stainless front plate
- Strong lever return spring mechanism
- Includes cylinder retaining screw
- Various backsets available
- Use with 8mm square lever spindle
- Use with 85mm pitch furniture
- Projection bolt model includes flat lipped strike plate



Part No.	Description	Box Qty.
IS-741250A0	Iseo Mortice Lock - Projection Bolt 25mm Backset	4
IS-741300A0	Iseo Mortice Lock - Projection Bolt 30mm Backset	4
IS-741350A0	Iseo Mortice Lock - Projection Bolt 35mm Backset	4



Timber



Aluminium



Hinged Door



Double Doors



ISEO Mortice Lock Throw Bolt

- Durable short backset latch and projection or throwbolt deadlock mortice locksets.
- Durable mechanism and stainless front plate
- Strong lever return spring mechanism
- Includes cylinder retaining screw
- Various backsets available
- Use with 8mm square lever spindle
- Use with 85mm pitch furniture
- Projection bolt model includes flat lipped strike plate



Part No.	Description	Box Qty.
	Iseo Mortice Lock - Throw Bolt 25mm Backset	4
	Iseo Mortice Lock - Throw Bolt 30mm Backset	4
	Iseo Mortice Lock - Throw Bolt 35mm Backset	4



Timber



Aluminium



Hinged Door



Double Doors



ISEO Mortice Lock Hook Throw

- Durable short backset latch and projection or throwbolt deadlock mortice locksets.
- Durable mechanism and stainless front plate
- Strong lever return spring mechanism
- Includes cylinder retaining screw
- Various backsets available
- Use with 8mm square lever spindle
- Use with 85mm pitch furniture
- Projection bolt model includes flat lipped strike plate



Part No.	Description	Box Qty.
IS-781304B	Iseo Mortice Lock - Hook Throw 30mm Backset	4
	Iseo 24mm Faceplate - Stainless Steel	4
IS-038000	Iseo Adjustable strike plate	



Timber



Aluminium



Hinged Door



Double Doors



Stainless Steel Euro Cylinder Roller Latch & Dead Bolt

- Double action throw bolt, Reversible latch for left or right hand opening doors, Retractable latch by key, solid brass face plate, striker plate, bolt and latch, Includes dust box (used behind the striker plate) for a more professional finish.

Part No.	Description	Box Qty.
SU-490204	Austyle Roller Lock - Projection Bolt 30mm Backset	1
SU-490206	Austyle Roller Lock - Projection Bolt 45mm Backset	1



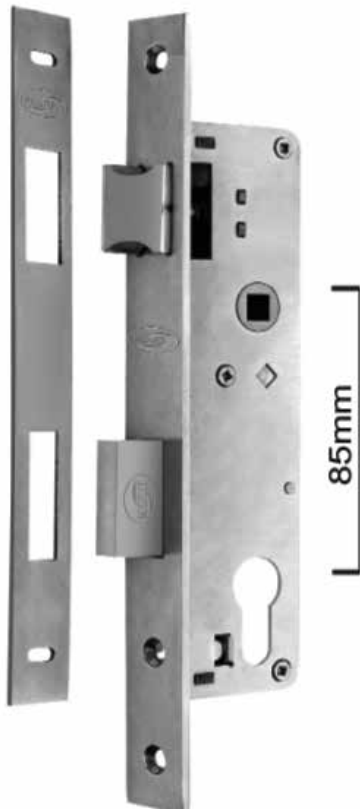
Timber



Hinged Door



Double Doors



Austyle Stainless Steel Cylinder Lock

- Stainless Steel face plate and striker plate, locking bolt, latch and internal components. Reversible latch bolt to suit left or right hand opening doors. Retracts lock and latch simultaneously when turning key.

Part No.	Description	Box Qty.
SU-49200	Austyle Mortice Lock - Projection Bolt 25mm Backset	4
SU-49201	Austyle Mortice Lock - Projection Bolt 30mm Backset	4



Timber



Aluminium



uPVC



Hinged Door



Double Doors

Lockwood Optimum Hinged Door Multi-Point Mortice Locks

The Lockwood Optimum Mortice Lock range is easy to install and is available to suit hinged residential aluminium and timber door applications.

Features of the Optimum Hinged Door Multi-Point Mortice Locks

Easily reversible radiused latch bolt enables field selectable handing

Durable mechanism and stainless steel faceplate

Accepts either 7.6mm or 8mm spindle

Latch can be deadlocked by key

Short throw (13mm) and Long throw (24mm) locking bolt options available

Provides multi-point locking when used with shootbolts (4 Point)

Latch only version available (1 Point)

30mm and 40mm backset variants available in 4 Point version

Door thickness: 32mm to 45mm

Lock Status Indication available when used with Palladium Xtra furniture

A range of strikes are available to provide optimal seal compression (strikes must be ordered separately)

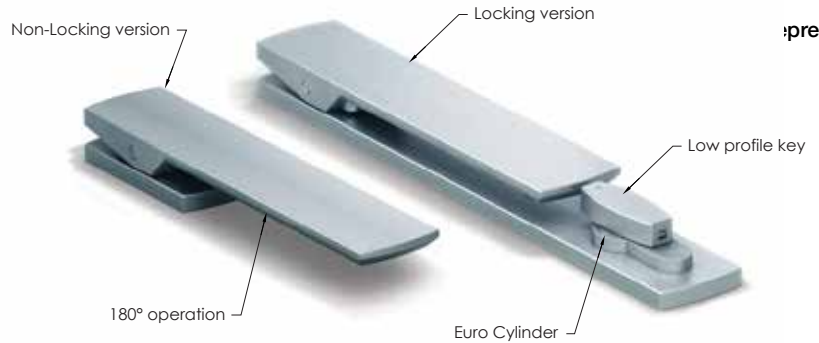


Part No.	Description	Box Qty.
LW-OP30/1LAN/SS	Lockwood Optimum 1pt 30mm Backset	10
LW-OP30/2PTS/SS	Lockwood Optimum 2pt 13mm Bolt 30mm Backset	10
LW-OP30/2PTL/SS	Lockwood Optimum 2pt 24mm Bolt 30mm Backset	10
LW-OP50/2PTL/SS	Lockwood Optimum 2pt 24mm Bolt 50mm Backset	10
LW-OP30/2PTL/SSBL	Lockwood Optimum 2pt Bevel Bolt 24mm Bolt 30mm Backset Pk=25	10
LW-OP30/2PTS/SSBL	Lockwood Optimum 2pt Bevel Bolt 30mm Backset Pk=25	10
LW-OPS001SS	Lockwood Striker Striker Plate 24mm - Stainless Steel	10
LW-P211800	Interlock Bi-Fold Extended Strike 51mm - Stainless Steel	10

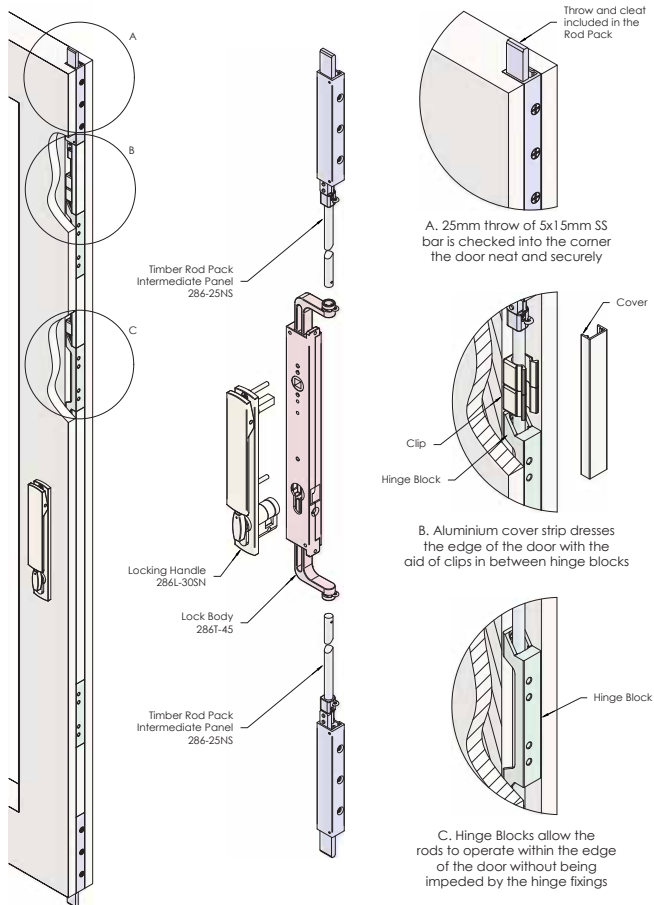
Brio®

Brio 268 Dual Point Lock

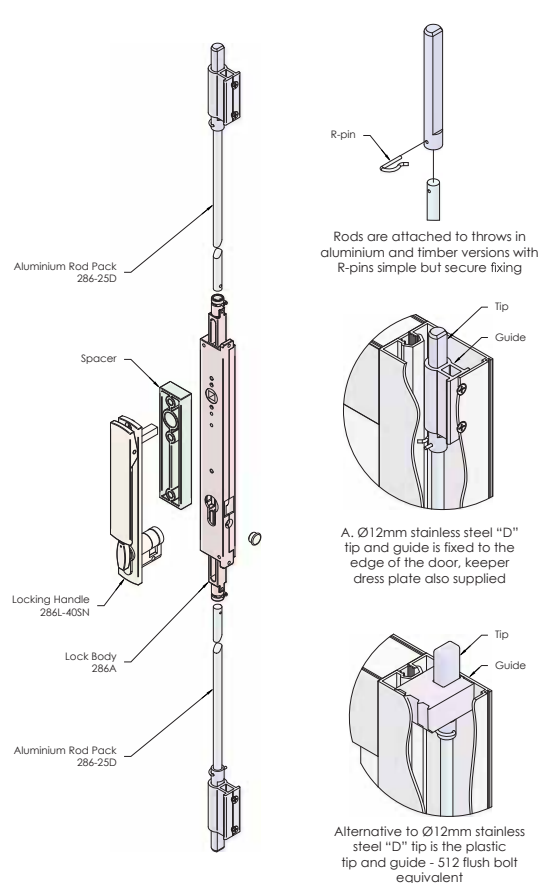
• Brio's new 286 Dual Point Lock is suitable for Brio's exterior folding system Weath-erfold 4s with timber or aluminium panels (also suitable for single hinge panels, French doors etc.). The 180° operation of the low profile handle activates a 25mm throw to lock off doors securely top and bottom. Locking and non-locking options available, all with an integrated escutcheon for elegant, clean lines. No fuss hinge fixing blocks and simple machining make this dual point lock quick and easy to install.



Dual Point Lock for Timber Panels Hardware Layout



Dual Point Lock for Aluminium Panels Hardware Layout





ASSA ABLOY

Lockwood Palladium And Palladium Xtra Series Door Furniture

- Designed in Australia the Palladium Series of door furniture reflects the best in quality and is blended together with sophisticated designs. The Palladium Series was produced to meet the rigorous aesthetic requirements of the residential markets, while conforming to the ever increasing need for quality into the semi-commercial building segments.

Features and Specifications

Stylish range of contemporary non handed lever designs.

Range of available finishes.

Solid metal lever escutcheon.

The Palladium Series mechanism incorporates a lever handle torsion spring and shuttle mechanism which provides a positive feel and increased product life.

All lever handles are reversible.

Suits 48.5 mm and 85 mm pitch mortice locksets.

Includes 7.6 mm square stepped spindle.



Description	Box Qty.
AriaTM #27 (Available in Stainless Steel - Palladium Plus+)	1
AcaciaTM #29	1
Gidgee® #37	1
Summit® #L1	1

See table below for other combinations

Color Code	Description	Color Code	Description
SC	Satin Chrome	BLK	Black
PPC	Powdercoat	WH	White



Timber



Aluminium



uPVC



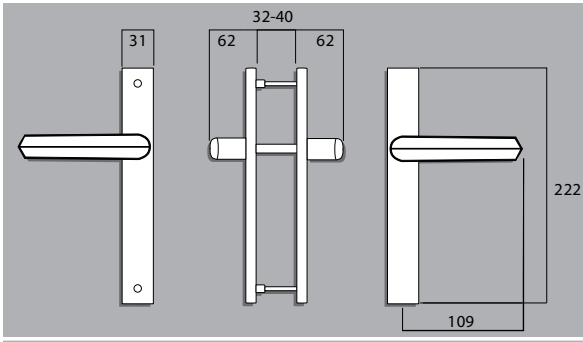
Hinged Door



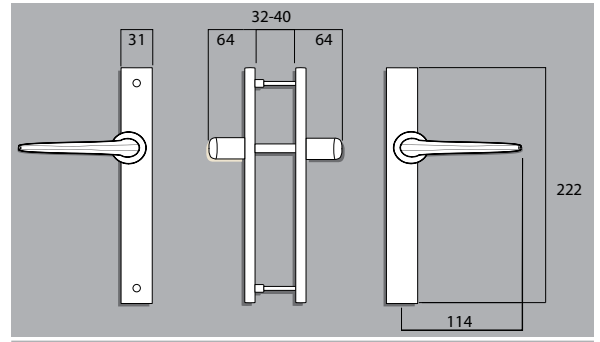
Double Doors



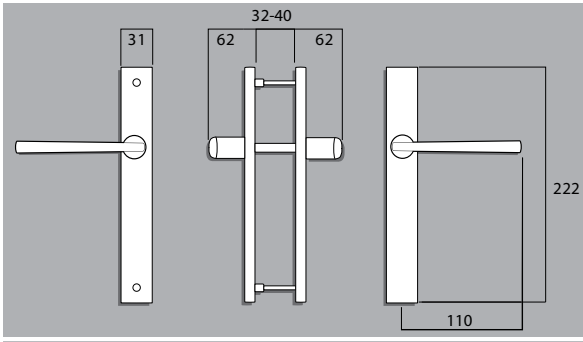
DOOR HARDWARE DOMESTIC HANDLES



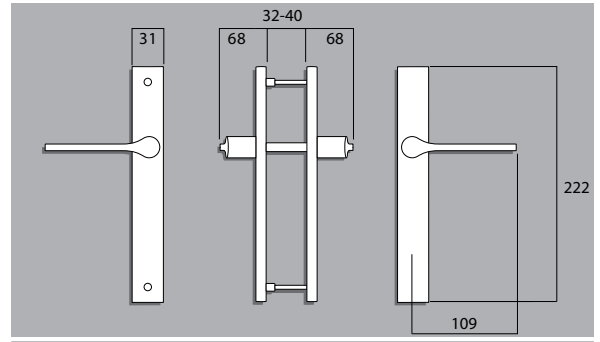
AriaTM #27



Gidgee® #37



AcaciaTM #29

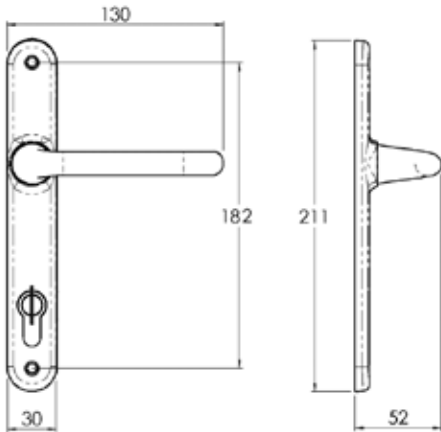


Summit® #L1

Palladium® Xtra Door Furniture



INTERLOCK[®]
ASSA ABLOY



Interlock Verona Handle

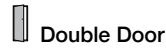
• The Verona handle as a lock accessory complements hinged door locks as a quality and stylish door handle option. The Verona is used with short backset lock mechanisms and has a full-grip lever.

Features:

- Can be used with Milton 4-Point, 2-Point, or Locking Latch.
- Strong zinc die-cast construction.
- The handle lever is sprung.
- Conveniently non-handed.
- The interior screws mean a higher level of security as they cannot be accessed from the outside.

Part No.	Description	Box Qty.
LIN-P84050 ••	Handle Sets Entrance	1
LIN-P84051 ••	Interior handle sets	1
LIN-P84052 ••	Patio Handle Sets	1
LIN-P84086 ••	Fixed Handle Sets	1

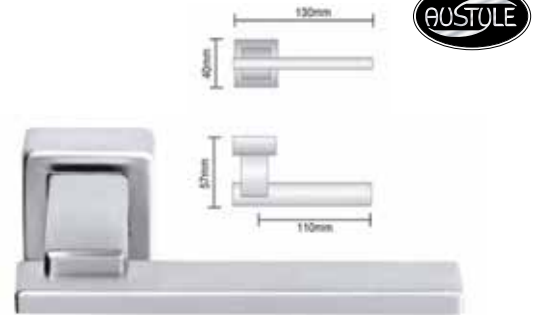
Color Code	Description	Color Code	Description
B	Black	S	Silver



Austyle Handle Range

Part No.	Description	Box Qty.
SU-••603	Eden Square Range Handle	1

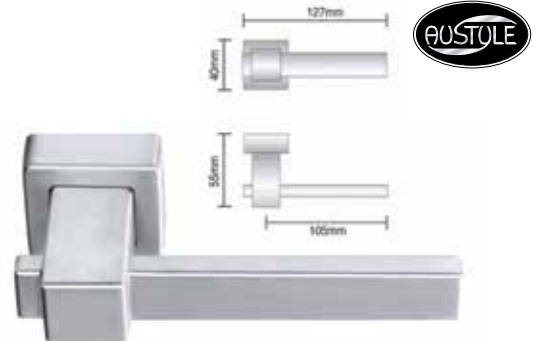
Color Code	Description	Color Code	Description
13	PVD Brass	33	Chrome Plated
43	Brushed Satin Chrome		



Austyle Handle Range

Part No.	Description	Box Qty.
SU-••600	Sarah Square Range Handle	1

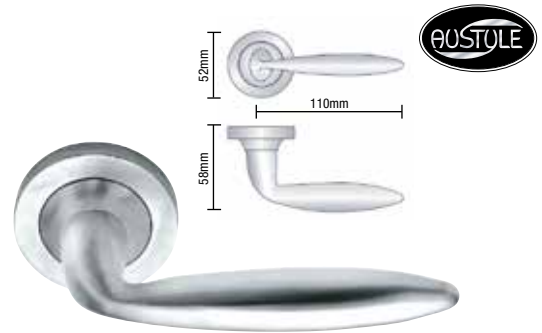
Color Code	Description	Color Code	Description
13	PVD Brass	33	Chrome Plated
43	Brushed Satin Chrome		



Austyle Handle Range

Part No.	Description	Box Qty.
SU-••516	Daisy Round Range Handle	1

Color Code	Description	Color Code	Description
13	PVD Brass	33	Chrome Plated
43	Brushed Satin Chrome		



Austyle Handle Range

Part No.	Description	Box Qty.
SU-••512	Tanya Round Range Handle	1

Color Code	Description	Color Code	Description
13	PVD Brass	33	Chrome Plated
43	Brushed Satin Chrome		



Austyle Handle Range

Part No.	Description	Box Qty.
SU-••519	Raz Round Range Handle	1

Color Code	Description	Color Code	Description
13	PVD Brass	33	Chrome Plated
43	Brushed Satin Chrome		



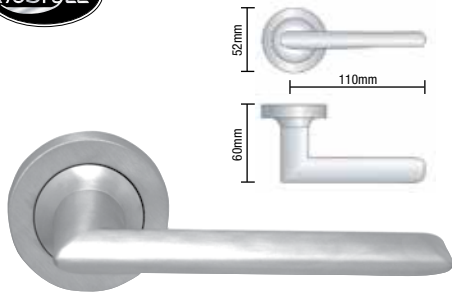


Austyle Handle Range

Part No.	Description	Box Qty.
SU-••517	Leah Round Range Handle	1

Color Code	Description
13	PVD Brass
43	Brushed Satin Chrome

Color Code	Description
33	Chrome Plated

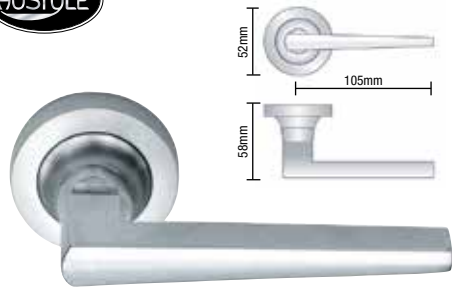


Austyle Handle Range

Part No.	Description	Box Qty.
SU-••514	Ilana Round Range Handle	1

Color Code	Description
13	PVD Brass
43	Brushed Satin Chrome

Color Code	Description
33	Chrome Plated



Austyle Handle Range

Part No.	Description	Box Qty.
SU-••518	Daniella Round Range Handle	1

Color Code	Description
13	PVD Brass
43	Brushed Satin Chrome

Color Code	Description
33	Chrome Plated

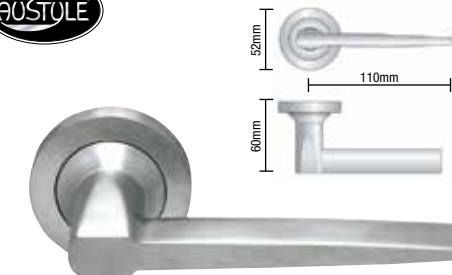


Austyle Handle Range

Part No.	Description	Box Qty.
SU-••511	Keren Round Range Handle	1

Color Code	Description
13	PVD Brass
43	Brushed Satin Chrome

Color Code	Description
33	Chrome Plated



Austyle Handle Range

Part No.	Description	Box Qty.
SU-••515	Aliza Round Range Handle	1

Color Code	Description
13	PVD Brass
43	Brushed Satin Chrome

Color Code	Description
33	Chrome Plated

Austyle Escutcheons Range



Part No.	Description	Box Qty.
SU-••702	Euro Profile	1
SU-••707	Oval Profile	1



Color Code	Description
13	PVD Brass
43	Brushed Satin Chrome

Color Code	Description
33	Chrome Plated

Austyle Escutcheons Range



Part No.	Description	Box Qty.
SU-••703	Euro Profile	1
SU-••708	Oval Profile	1



Color Code	Description
13	PVD Brass
43	Brushed Satin Chrome

Color Code	Description
33	Chrome Plated

Austyle Escutcheons Range



Part No.	Description	Box Qty.
SU-••701	Euro Profile	1
SU-••706	Oval Profile	1



Color Code	Description
13	PVD Brass
43	Brushed Satin Chrome

Color Code	Description
33	Chrome Plated

Austyle Escutcheons Range



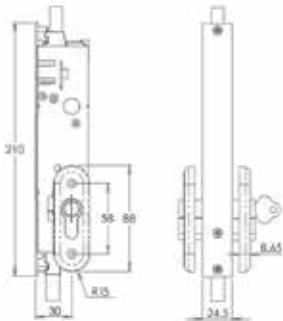
Part No.	Description	Box Qty.
SU-••700	Euro Profile	1
SU-••705	Oval Profile	1



Color Code	Description
13	PVD Brass
43	Brushed Satin Chrome

Color Code	Description
33	Chrome Plated

INTERLOCK[®]
ASSA ABLOY



Interlock Millton Bi-Fold 2 Point Locking

• The Millton bi-fold set provides a residential and light commercial grade 2-point mortice lock with vertical locking rods making it ideal for use on folding door and window applications.

Part No.	Description	Box Qty.
IN-P84077 ••	Double Cylinder, with Rods	1
IN-P84078 ••	Key & Turn knob, with Rods	1
IN-P84047 ••	Half Cylinder keyed, with Rods	1
IN-P84048 ••	Half Cylinder with turn rods	1
IN-P84049 ••	Half cylinder(5 pin) with low profile securiturn	1
IN-P84212 ••	Half cylinder(4 pin) with low profile securiturn	1

Color Code	Description	Color Code	Description
B	Black	PW	Pearl White
PR	Primrose	BC	Bright Chrome
BLK	Satin Chrome	GO	Gold

Aluminium uPVC



INTERLOCK[®]
ASSA ABLOY



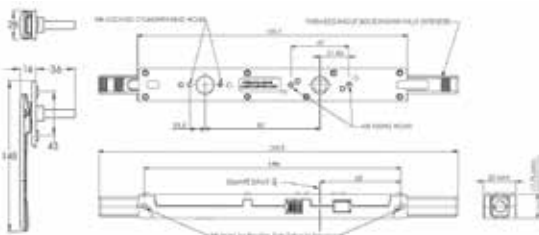
Interlock Twin Bolt Bi-Fold Lock

• The Twin Bolt lock body has been designed for use on both bi-fold doors and windows. The Twin Bolt combines security features with a practical design, fulfilling the needs created by architectural innovations within the residential market. Suitable for use with aluminium and uPVC hinged doors.

Part No.	Description	Box Qty.
IN-P84217A ••	Twin Bolt Locking Kit with Uno Handle	1
IN-P84216A ••	Twin Bolt Non-Locking Kit with Uno Handle	1

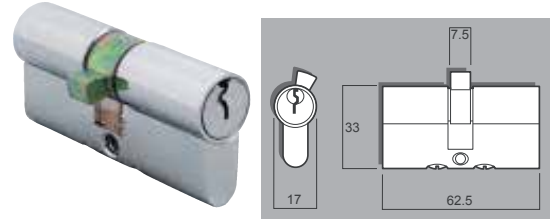
Color Code	Description	Color Code	Description
B	Black	PW	Pearl White
PR	Primrose	BC	Bright Chrome
BLK	Satin Chrome	GO	Gold

Aluminium uPVC



Whitco Pin Cylinder

Part No.	Description	Box Qty.
W840100	Whitco 6 Pin Cylinder Locks K/Differ 60 mm	1
W840120	Whitco 6 Pin Cylinder Locks K/Alike 60 mm	1
W846000	Whitco 6 Pin Cylinder Locks K/Alike 70 mm	1



Whitco Pin Cylinder

Interlock Pin Cylinder

Part No.	Description	Box Qty.
IN-P33035	Interlock Double Cylinder - 30/30	1
IN-P33046	Interlock Double Cylinder - 35/35	1



Interlock Cylinder

Austyle Pin Cylinder

Part No.	Description	Box Qty.
SU-49143-••	Austyle 60 mm Cylinder	1
SU-49147-••	Austyle 70 mm Cylinder	1



Timber



Aluminium



uPVC



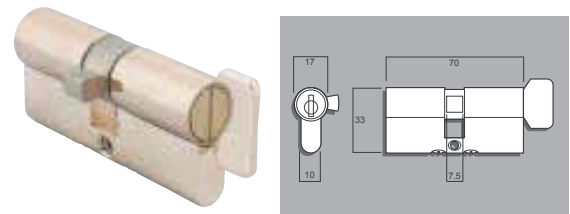
All Door Styles



Austyle Pin Cylinder

Whitco Cylinder & Turn

Part No.	Description	Box Qty.
W846200	Whitco Cylinder & Turn - Left Hand	1
W846200	Whitco Cylinder & Turn - Right Hand	1



Whitco Cylinder & Turn

Interlock Cylinder & Turn

Part No.	Description	Box Qty.
IN-P33034	Interlock Cylinder and Turnknob - 35/35	1



Interlock Cylinder & Turn

Austyle Cylinder & Turn

Part No.	Description	Box Qty.
SU-49149-••	Austyle Cylinder & Turn- 60 mm	1
SU-49145-••	Austyle Cylinder & Turn- 70 mm	1



Timber



Aluminium



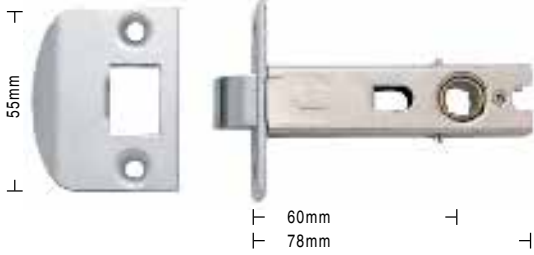
uPVC



All Door Styles

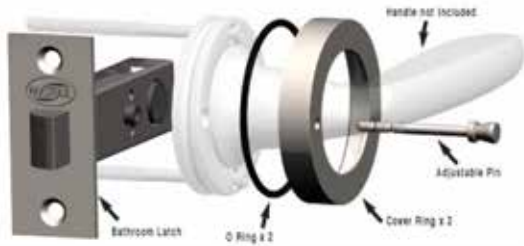


Austyle Cylinder & Turn



Part No.	Description	Box Qty.
SU-••030	Double Sprung Tube latch	1
SU-••031	Single Sprung Tube latch	1

Color Code	Description	Color Code	Description
002	Chrome plate, Brass	002	Satin Chrome



Part No.	Description	Box Qty.
SU-••016	Privacy Adaptor Kit	1

Includes: tubular latch lock, button snap off points, 2 snap on cover rings, 2 "o" rubber rings (Suits austyle Round handles see page XX)

Color Code	Description	Color Code	Description
002	Chrome plate, Brass	002	Satin Chrome



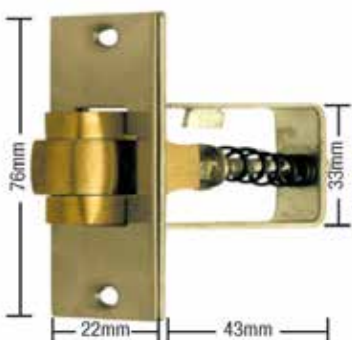
Part No.	Description	Box Qty.
SU-••027	Self Latching Snib - Sliding Door	1

Color Code	Description	Color Code	Description
002	Chrome plate, Brass	002	Satin Chrome



Part No.	Description	Box Qty.
SU-••018	Self Latching Snib - Hinged Door	1

Color Code	Description	Color Code	Description
002	Chrome plate, Brass	002	Satin Chrome



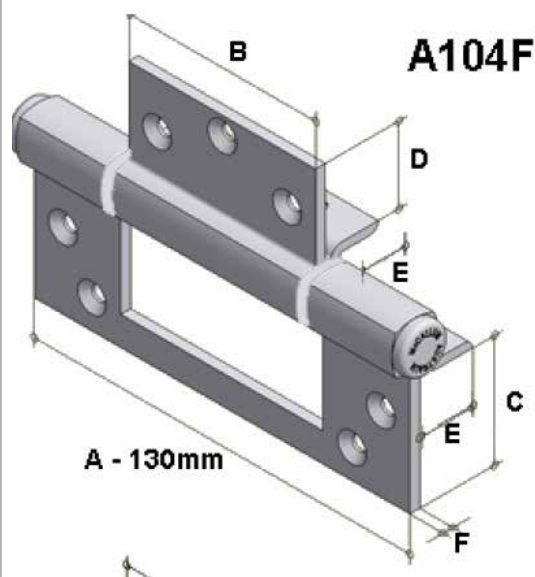
Part No.	Description	Box Qty.
SU-••026	Roller Catch Tubular Latch	1

Color Code	Description	Color Code	Description
002	Chrome plate, Brass	002	Satin Chrome



McCallum Fast-Fix Hinge A104

- Aluminium entrance doors in high usage situations
- Suitable for either center pocket or front edge glazing systems



Part No.	Description	Box Qty.
MC-A104XX	Aluminium Heavy Duty Fast Fix -	6
MC-A104MSNA XX	Aluminium Heavy Duty Fast Fix -Medium 100mm	6

Hinges	Height x Width	Weight (Kg)
2	Up to 2000 mm x 900 mm	100 Kg
3	Over 2000 mm x 900 mm	100 Kg

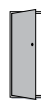
Color Code	Description	Color Code	Description
SNA	Natural Anodised	BLK	Black,
WH	White	PR	Primrose,
AL	Almond,	BZ	Bronze
GD	Gold		



Aluminium



uPVC



Hinged Door

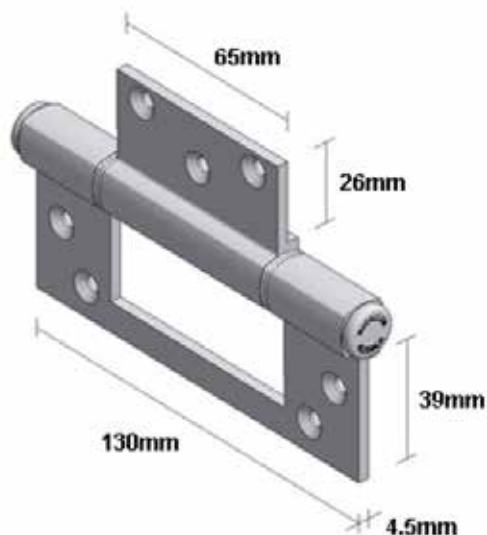


Double Doors



McCallum Fast-Fix Hinge A105

- Aluminium entrance doors in high usage situations
- Suitable for either center pocket or front edge glazing systems



Part No.	Description	Box Qty.
MC-A105XX	Aluminium Heavy Duty Fast Fix -	6

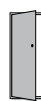
Color Code	Description	Color Code	Description
SNA	Natural Anodised	BLK	Black,
WH	White	PR	Primrose,
AL	Almond,	BZ	Bronze
GD	Gold		



Aluminium



uPVC



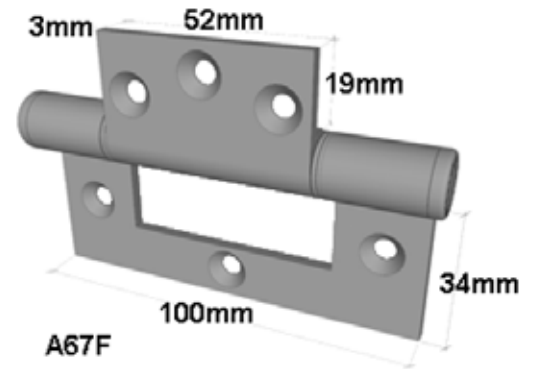
Hinged Door



Double Doors

Aluminium Hinges

Part No.	Description	Box Qty.
MC-A67	McCallum Fast Fix - ST3	16



Aluminium



Stainless Steel Hinges

Part No.	Description	Box Qty.
JPH-FFH ST9 SSS	Stainless Steel Fast Fix - ST9	100
JPH-FFH ST3 SSS	Stainless Steel Fast Fix - ST3	100
MC-S801	Stainless Steel Fast Fix - ST3	100



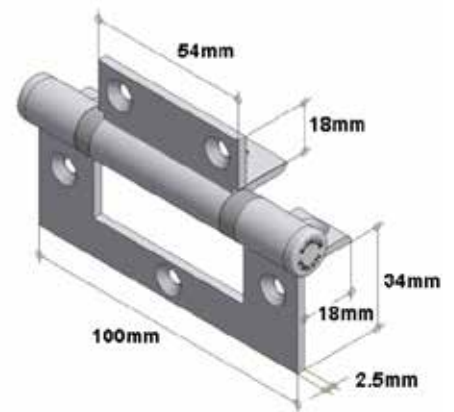
Aluminium

Timber



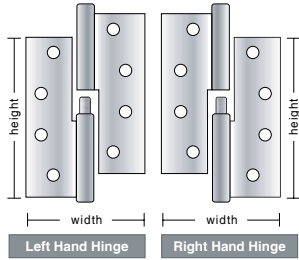
Stainless Steel Hinges With Wings

Part No.	Description	Box Qty.
MC-S104S	Stainless Steel hinge with wings	100



Aluminium





12mm Pin Length (Lift Off Distance)

Austyle Lift Off Hinge

- 304 Commercial grade stainless steel

Part No.	Description	Box Qty.
SU-45130	Left Off Hinge Left Hand - 89 mm	10
SU-45131	Left Off Hinge Right Hand - 89 mm	10
SU-45132	Left Off Hinge Left Hand - 100 mm	10
SU-45133	Left Off Hinge Right Hand - 100 mm	10

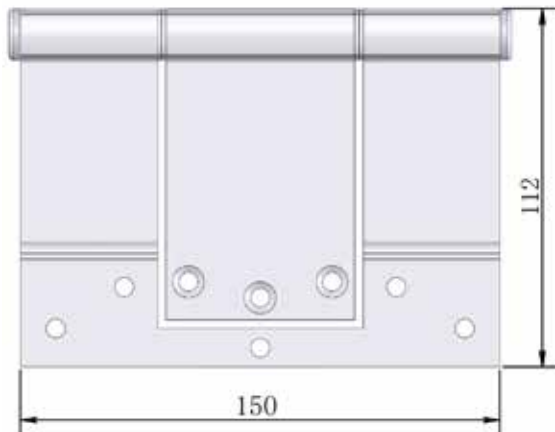


Whitco Commercial Fast Fix Parliament Hinge

Part No.	Description	Box Qty.
W384304	Whitco Commercial Fast Fix Parliament Hinge	10



McCallum Heavy Duty Parliament Hinge



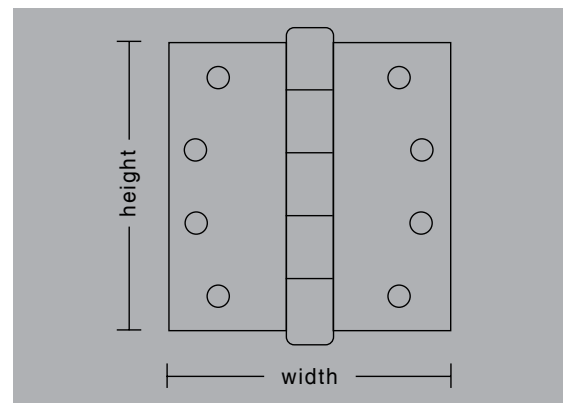
Part No.	Description	Box Qty.
MC-A164	McCallum Heavy Duty Parliament Hinge	10



Stainless Steel Butt Hinge

Sold in pairs with screws included

Part No.	Description	Height	Width	Thickness	Box Qty.
SU-45015	Fixed Pin	85 mm	60 mm	2.0 mm	10
SU-45018	Fixed Pin	100 mm	75 mm	2.5 mm	10
SU-45109	Fixed Pin	100 mm	100 mm	2.5 mm	10
SU-45118	Loose Pin	100 mm	75 mm	2.5 mm	10



Aluminium



Timber



Hinged Door

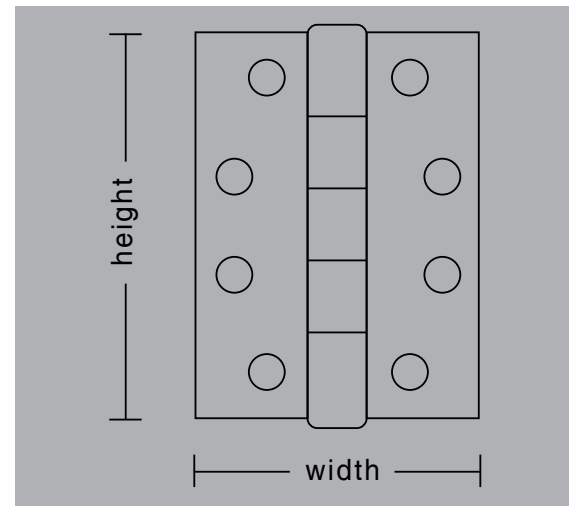


Double Doors

Solid Brass Hinge

Sold in pairs with screws included

Part No.	Description	Height	Width	Box Qty.
SU-5005	Fixed Pin	89 mm	50 mm	20
SU-5006	Fixed Pin	89 mm	89 mm	20
SU-5007	Fixed Pin	100 mm	60 mm	20
SU-5008	Fixed Pin	100 mm	76 mm	20
SU-5009	Fixed Pin	100 mm	100 mm	20
SU-5013	Fixed Pin Parliament	100 mm	100 mm	20
SU-5014	Fixed Pin Parliament	100 mm	127 mm	20
SU-5015	Fixed Pin Parliament	100 mm	152 mm	20
SU-5018	Fixed Pin Broad Butt	100 mm	127 mm	20
SU-5019	Fixed Pin Broad Butt	100 mm	152 mm	20
SU-5016	Loose Pin	85 mm	60 mm	20
SU-5010	Loose Pin	89 mm	89 mm	20
SU-5011	Loose Pin	100 mm	76 mm	20
SU-5012	Loose Pin	100 mm	100 mm	20



Aluminium



Timber



Hinged Door



Double Doors



Yarra View Curve



Yarra View Edge



Yarra View Slim

Austral Yarra View

- An all-metal lock for sliding glass doors. Slim design for doors with a large stiffening wing or narrow frame.

Twin counteracting beaks engage an all-metal catch plate. Self-adjusting catch plate automatically compensates for building movement and door carriage wear.

A range of outer pull designs are available for various applications.

Anti-slam plunger prevents the door being shut with beaks extended, avoiding damage to beaks and catch plate.

Fits Industry-standard three-hole door cutouts (three 9mm diameter holes).

Fits wide range of door stile thicknesses from 21.3mm to 46.4mm.

Suits left-closing and right-closing doors (lock is not handed).

Australian design and manufacture.

- Narrow 30mm footprint suits a wide range of doors, including high strength doors with stiffening wings.

- Interior pull available in 3 contemporary styles : SLIM, EDGE and CURVE -

Twin counteracting beaks engage an all-metal catch plate, providing resistance to jemmying and restraining the door against being lifted from its rails. -

Self-adjusting catch plate is easy to install and automatically adjusts for movement and door wear. -

A range of outer pull designs are available to suit most applications. -

Anti-slam plunger prevents the door being shut with beaks extended, avoiding damage to beaks and catch. -

Optional 'Fat Pack' to install into doors up to 59mm thick. -

Color Code	Description	Color Code	Description
BLK	Black	SIL	Silver
SP	Satin Chrome Pearl	WH	White



Timber



Aluminium



uPVC



Sliding Door



SLIDING DOOR LOCKS

Austral Yarra Ridge Sliding Patio Door Locks



• A strong, all-metal twin pivoting-bolt lock with a self-adjusting catch plate for aluminium and timber framed sliding doors.

Cylinder offset to provide knuckle clearance.
 Self-adjusting catch plate; automatically adjusts for building movement.
 Anti-slam spring-loaded plunger; beaks only extend when door is fully closed.
 Employs Industry-standard three-hole fitting (three 9mm diameter holes).
 Twin metal counteracting beaks.
 Suits left-closing and right-closing doors (lock is not handed).
 Fits wide range of door stile thicknesses from 21.3mm to 46.4mm.
NEW: Cylinders can now be easily fitted to locks on site.
 Various lock/handle options available
 Various cylinder options available



Color Code	Description	Color Code	Description
BLMT	Matt Black	WHGL	White Gloss
PRGL	Primrose Gloss	PPC	Powdercoat

Timber
 Aluminium
 uPVC



Austral Pearl Door Lock



A single-beak sliding door lock to fit aluminium framed doors.

Stylish low-profile design.
 Easy to use "push and slide" action with concealed finger recess.
 (push plate to unlatch then use finger recess to slide the door).
 3mm thick stainless steel beak is secured by a 4-point clamping system.
 Metal catch plate with anti-lifting pin.
 Key locking and unlocking (optional) from the outside of the door (pin cylinder).
 Egress lock function means the inner mechanism overrides the key locking.
 Available in Black, White, Silver, or Brown powdercoat finishes.
 Australian design and manufacture



Part No.	Description	Box Qty.
AU-PLD-EA-•••-KA	Austral Pearl Door Lock	10

Color Code	Description	Color Code	Description
BLK	Black	WHT	White
PSLI	Silver		

Timber
 Aluminium
 uPVC





ASSA ABLOY

Lockwood Onyx Patio Sliding Door Lock

• Description

The Lockwood Onyx Patio Sliding Door Lock incorporates advanced security and safety features making this product the ideal choice for sliding patio door applications.

Style and Function

This range takes design cues from contemporary architectural styling and complements several of Lockwood's most popular levers to provide a harmonious look and feel throughout the home.

The functionality of the range has been enhanced by the intuitive operation of the unique sliding snib and the innovative LockAlert® feature that indicates the lock status at a glance.

Application

Surface mounted lockset suitable for use with most aluminium and timber sliding doors. The flexible chassis coupled with innovative design features results in a non-handed product that is extremely easy to install and suitable for new and most retrofit applications.

Product Range

A wide selection of furniture options are available in the range to suit various sliding door applications. The range includes internal D handles and slim pulls and a variety of external furniture and strike options.



Lockwood Onyx D Inner Handle



Lockwood Onyx Slim Outer Pull



Lockwood Onyx Slim Inner Pull



Lockwood Onyx Universal Strike



Timber



Aluminium



uPVC



Sliding Door

Platform / Suite	Internal Furniture	External Furniture	Strike	Cylinder	Finish
9A	1	B	2	5P	BLK
Platform / Suite Lockwood Patio Door, Style A 9A		External Furniture No External Furniture * X Slim Pull Locking A Slim Pull Non Locking B Flat Outer Pull Locking C Flat Outer Pull Non Locking D Mortice Pull Locking E Mortice Pull Non Locking F Cover Plate G D Handle Locking H D Handle Non Locking		Strike No Strike 0 Surface (Front) Fix 1 Universal Fix 2 Extra Width Surface Fix 3 Side (Face) Fix 4 Surface 15mm Fix 5	
Internal Furniture No Internal Furniture * 0 D Handle Locking 1 D Handle Non Locking 2 Slim Pull Locking 3 Slim Pull Non Locking 4 D Handle Dummy 5 Slim Handle Dummy 6 DAS Handle Locking (D with aided snib) 7 DAS Handle Non Locking (D with aided snib) 8		* Exterior furniture plate is required to fix internal furniture to door with through screws.		Cylinder 5 pin Cylinder/s 5P 6 pin Cylinder/s 6P No Cylinders NC – order cylinder separately	
Finish					

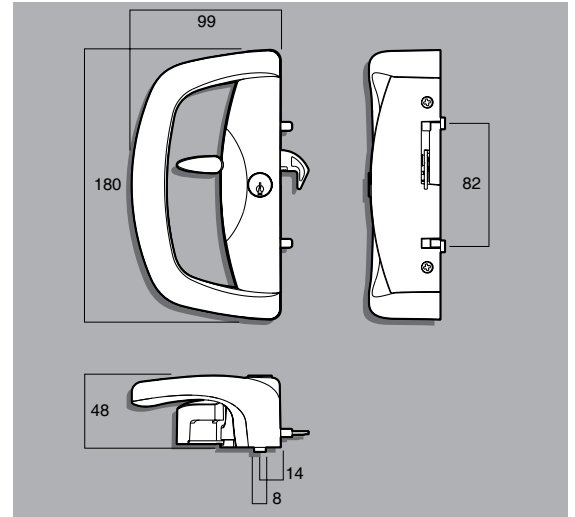
Whitco Blaxland Sliding Door Lock

• The Whitco Blaxland offers a new and improved range of features not previously seen in economical double cylinder sliding door locks. From its stylish contoured metal handle, range of powder coat finishes, easy fit pin cylinders and wide range of strikes and outer pulls. It's a durable easy to fit face fix sliding door lock replacement – meeting the requirements of the relevant Australian Standard.



Part No.	Description	Box Qty.
W5030••	“D” Handle off set outer pull Double cylinder K/Alike	10
W5045••	“D” Handle off set outer pull Double cylinder K/Alike	10
W5024••	Dummy Handle 17.5 mm Strike	10

Color Code	Description	Color Code	Description
11	Silver	17	Black
13	Brown	19	Primrose
16	White	24	Magnolia
21	Merino	41	White Birch
14	Pottery		



Whitco Oxley Sliding Door Lock

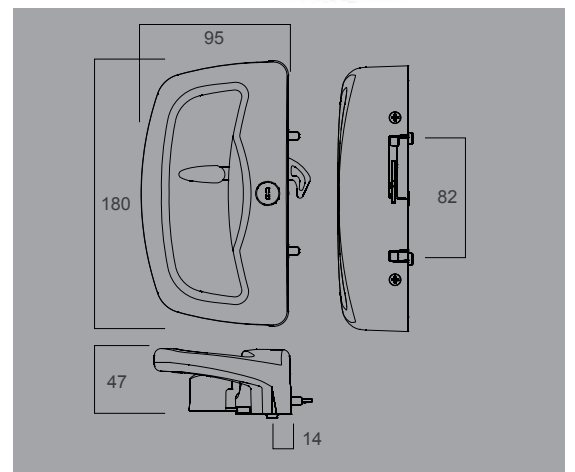
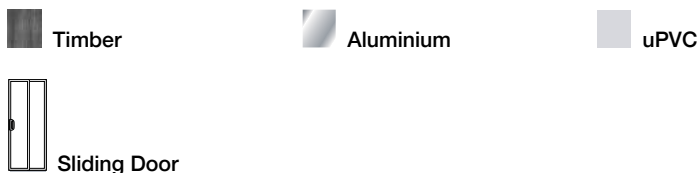
• The Whitco Oxley offers a secure, contemporary styled double cylinder sliding patio door lock. Its stylish tough polymer ‘D’ handle is moulded solid to create a one piece handle without infills or coring.

Suitable for door thicknesses from 19 mm to 40 mm

- Strong 2.0 mm thick single stainless steel locking beak with 6 mm horizontal positive adjustment
- Tough polymer internal D handle with zinc diecast lock platform
- Offers greater resistance against corrosion
- Available in either 10 disc or 5 pin C4 cylinder configuration
- Reversible design, suits left hand or right hand door applications
- Dummy models available for bi-parting doors
- Suits the range of Whitco diecast strikes including front face fix and extra width



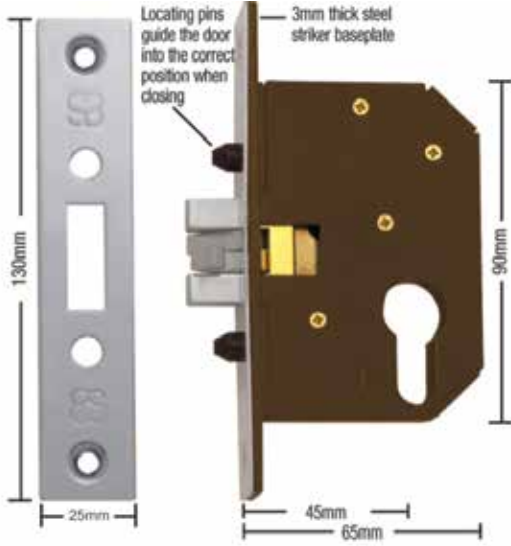
Color Code	Description
17	Black





Austyle Sliding Door Lock

- Dual locking pins guide the door into the correct position on closing, locating pin and bolt prevent lifting & removing the door off its tracks, locating pins reduce rattle, high strength steel casing, side opening (teeth) locking bolt..



Part No.	Description	Box Qty.
SU-•9208	Austyle Mortice Lock - Projection Bolt 45mm Backset	1
SU-•9209	Austyle Mortice Lock - Projection Bolt 60mm Backset	1

Color Code	Description	Color Code	Description
4	Satin Chrome	3	Chrome Plate

 Timber

 Sliding Door

DOOR HARDWARE

SLIDING DOOR CLOSERS



Ace Sliding Door Closer

• Ace door closers have the only hydraulic sliding door closer with slide channel to give longevity. It incorporates door and latch speed plus adjustable spring tension for increased power. It has been designed in accordance with the councils pool access regulations and is suitable for commercial and school applications. All closers come with a 5 year warranty.

Part No.	Description	Max Door Size	Box Qty.
AC-4S	Ace Sliding Door Closer	900 mm	1
AC-4L	Ace Sliding Door Closer	900 mm	1
AC-6L	Ace Sliding Door Closer	1100 mm	1
AC-6S	Ace Sliding Door Closer	1100 mm	1

Timber
 Aluminium
 uPVC

Sliding Door



Inventco Water Closer

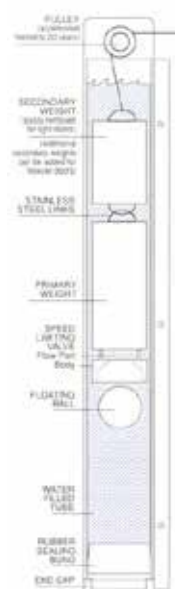
• The Inventco Sliding Door Closer is commonly known as the 'Water' Door Closer due to the fact that it uses user a unique patented speed limiting valve that operates within the door mounted closer tube, which is water filled. The closing speed of the door is suppressed, resulting in a gently latching action. In addition to its use as an automatic screen door closer, it has been extensively used Australia wide to satisfy swimming pool safety laws, which exist in all Australian states and are being adopted throughout the world

Part No.	Description	Box Qty.
IV-WC••	Inventco Water Closer	1
IV-WC WEIGHT	Inventco Supplementary Weights	1

Color Code	Description
BK	Black

Timber
 Aluminium
 uPVC

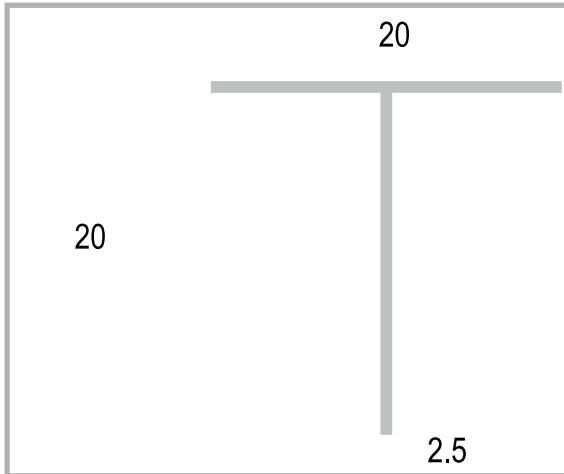
Sliding Door





DOOR HARDWARE

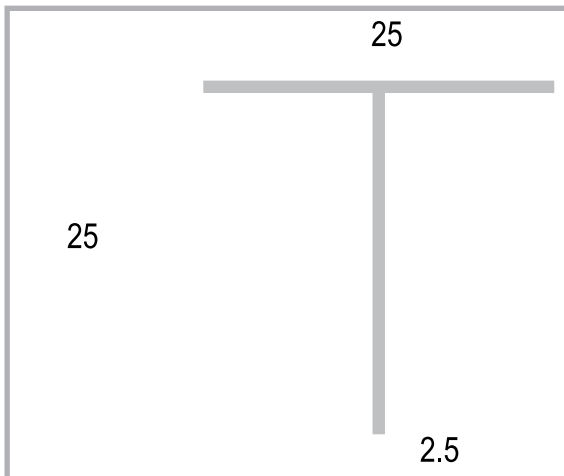
SLIDING DOOR EXTRUSION



T-Section

Part No.	Description	Length
JPA-fm126	T-Section	6.0 m

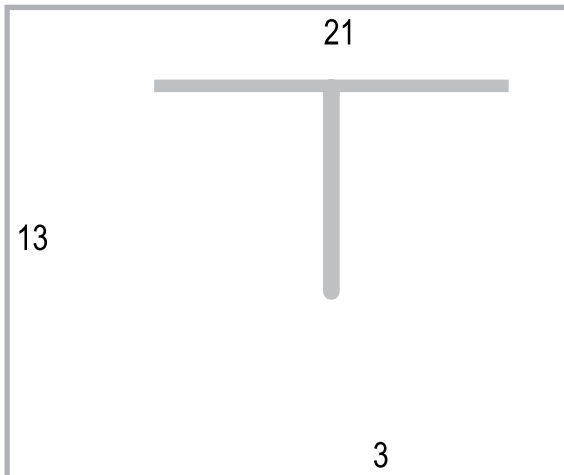
Colour	Description	Colour	Description
	Mill		Mill - Drilled & Counter Sunk
	Bronze		Bronze - Drilled & Counter Sunk
	Natural Anodised#		



T-Section

Part No.	Description	Length
JPA-FM125	T-Section	6.0 m

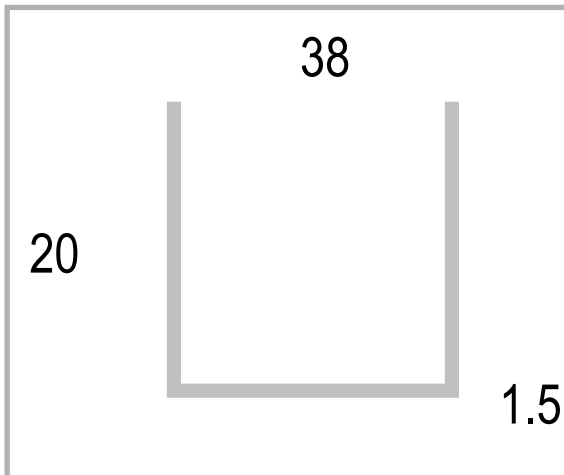
Colour	Description	Colour	Description
	Mill		Mill - Drilled & Counter Sunk
	Bronze		Bronze - Drilled & Counter Sunk
	Natural Anodised		Nat. An - Drilled & Counter Sunk



T-Section Sash

Part No.	Description	Length
JPA-FM166	T-Section sash	4.0 m

Colour	Description	Colour	Description
	Mill		Natural Anodised
	Bronze		Ham Brown
	Natural Anodised		Pottery
	Primrose		White



C-Channel

Part No.	Description	Length
JPA-FM124	C-Channel 38mm	6.0 m

Colour	Description	Colour	Description
	Mill		Natural Anodised
	Bronze		

DOOR HARDWARE

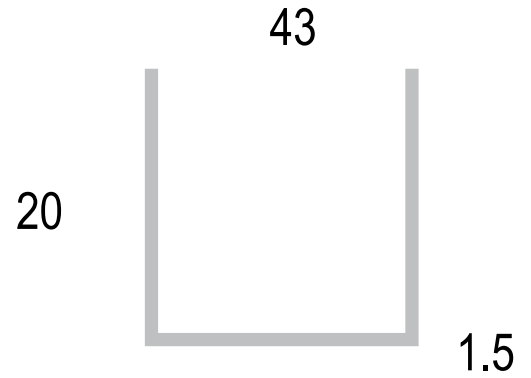
SLIDING DOOR EXTRUSION



C-Channel

Part No.	Description	Length
JPA-FM161	C-Channel 43mm	6.0 m

Colour	Description	Colour	Description
	Mill		Bronze - Drilled & Counter Sunk
	Bronze		



Adjustable Channel

Part No.	Description	Length
JPA-FM162	Adjustable Channel Flat	6.0m
JPA-FM163	Adjustable Channel Lipped	6.0 m

* Available with Woolpile

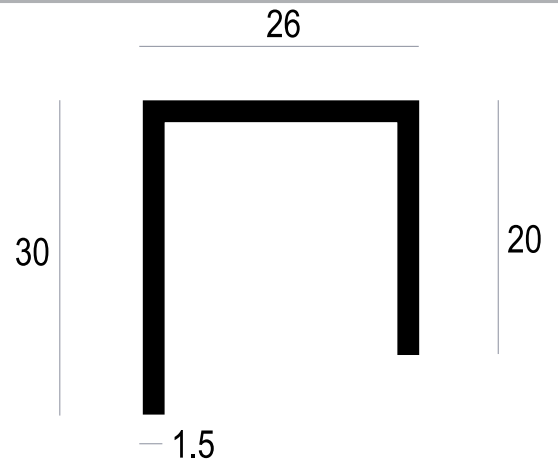
Color	Description	Color	Description
	Mill		Bronze
	Natural Anodised		



Pelmet Length

Part No.	Description	Length
JPA-FM164	Pelmet Length	6.0 m

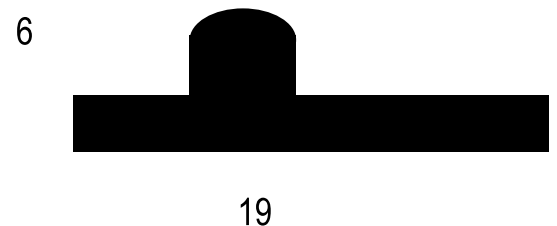
Colour	Description	Colour	Description
	Mill		Mill - Drilled & Counter Sunk
	Bronze		Bronze - Drilled & Counter Sunk
	Natural Anodised		N-A - Drilled & Counter Sunk



Bottom Track

Part No.	Description	Length
JPA-FM123	Bottom Track	5.3 m

Colour	Description	Colour	Description
	Mill		Mill - Drilled & Counter Sunk
	Bronze		Bronze - Drilled & Counter Sunk
	Natural Anodised		N-A - Drilled & Counter Sunk



6



19

Brass Bottom Track

Part No.	Description	Length
JPA-FM500	Brass Bottom track	4.8 m
JPA-FM500D	Brass Bottom Track Drilled	4.8 m

Colour	Description
	Brass

10



30

Heavy Duty Bottom Track

Part No.	Description	Length
JPA-FM167	T-Section	6.0 m

Colour	Description	Colour	Description
	Mill		Bronze - Drilled & Counter Sunk
	Bronze		Mill - Drilled & Counter Sunk
	Natural Anodised		N-A - Drilled & Counter Sunk

8



12.40

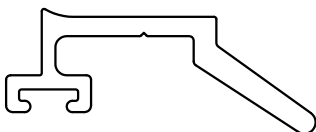
Sash Track

- Fits with JPA-FM166

Part No.	Description	Length
JPA-FM165	Sash Track	4.0 m

Colour	Description	Colour	Description
	Mill		Natural Anodised
	Bronze		

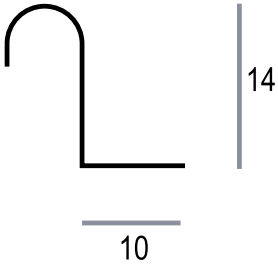
Interlock



Part No.	Description	Length
JPA-FM003NA	Interlock Natural Anodised	4.8 m

* Available with Woolpile

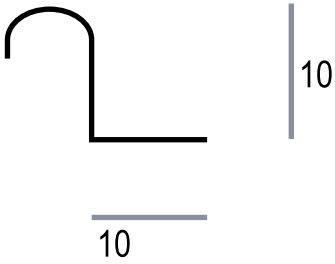
6



Capping Track 2

Part No.	Description	Length
AL2 SS	Stainless Steel Capping Track 2	2.4 m

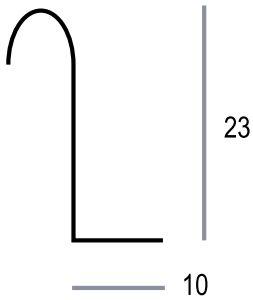
6



Capping Track 3

Part No.	Description	Length
AL3 SS	Stainless Steel Capping Track 3	2.4 m

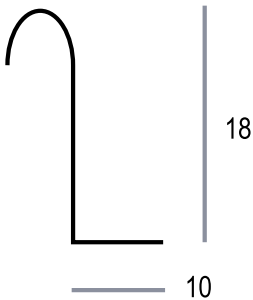
6



Capping Track 4

Part No.	Description	Length
AL4 SS	Stainless Steel Capping Track 4	2.4 m

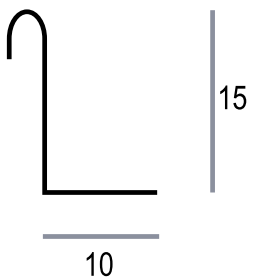
6



Capping Track 5

Part No.	Description	Length
AL5 SS	Stainless Steel Capping Track 5	2.4 m

3



Capping Track 6

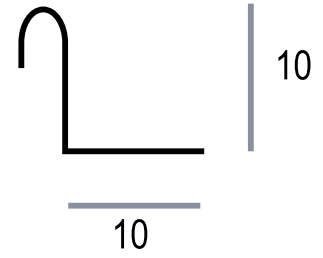
Part No.	Description	Length
AL6 SS	Stainless Steel Capping Track 6	2.4 m

SLIDING DOOR CAPPING TRACK

Capping Track 7

Part No.	Description	Length
AL7 SS	Stainless Steel Capping Track 7	2.4 m

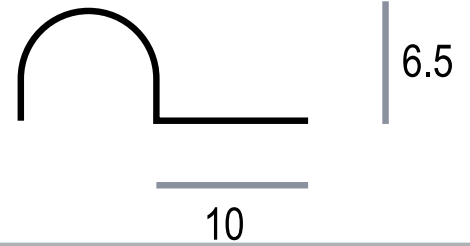
3



Capping Track 8

Part No.	Description	Length
AL8 SS	Stainless Steel Capping Track 8	2.4 m

8



Allegion Briton 376E Panic Bar



The Briton 376E Series is an economical range of push bar devices designed to suit single and double door applications. The 376E Series can be used on aluminium, hollow metal or wood swinging commercial doors. Available as rim and surface mounted vertical panic bolt devices.

Each model in the 376E Series is operated by a horizontal push bar, which when pushed in a downward arc withdraws either the bolts or latch, releasing the door for immediate escape in the event of an emergency.

Features

- Tested up to 600,000 cycles providing durability for everyday use
 - Designed to operate at low forces to ensure that minimum force is required to withdraw latch or bolts
 - Field sizeable to accommodate a range of door openings
 - Optional dogging function available which allows the latch or bolts to be held in the withdrawn position
 - Optional models available include pullman latches • and alarm function
- Optional external trims available for key access • 379 mortice latch designed to be used in conjunction with a Legge 990MF mortice lock (ordered separately) The 10 year warranty provides specifiers and users with assured quality and performance



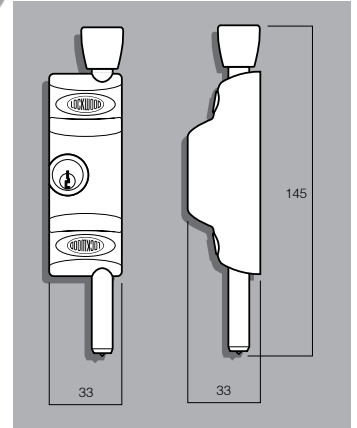
Lockwood 680 Patio Door Bolt

• A strong, heavy duty, surface mounted patio bolt designed with increased security in mind.

Part No.	Description	Box Qty.
L-680N**	Lockwood 680 Patio Door Bolt With Die Cast Keeper	12
L-681N**	Lockwood 680 Patio Door Bolt With Die Cast Keeper	12

Color Code	Description	Color Code	Description
BLK	Black	BRN	Brown
CP	Chrome Plate	PRM	Primrose
GP	Gold Plated	WH	White
SC	Satin Chrome		

Timber
 Aluminium
 uPVC



Heavy Duty Lockable Bolt

Part No.	Description
JPH-44142000***	Heavy Duty Lockable Bolt

Color Code	Description	Color Code	Description
SIL	Silver	BLK	Black

Timber
 Aluminium
 uPVC

All Door Styles



Whitco Patio Bolt

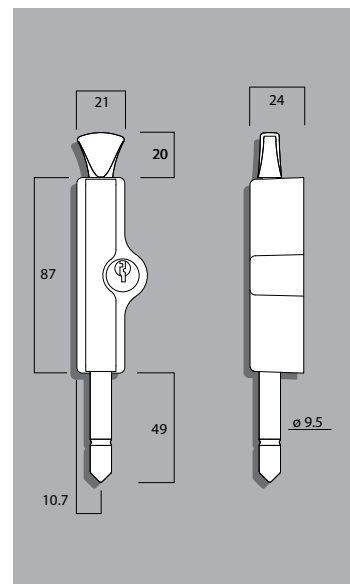
• Premium patio bolt with concealed fixing

Part No.	Description	Box Qty.
W22063**	Slimline	8

Color Code	Description	Color Code	Description
11	Silver	16	White
17	Black		

Timber
 Aluminium
 uPVC

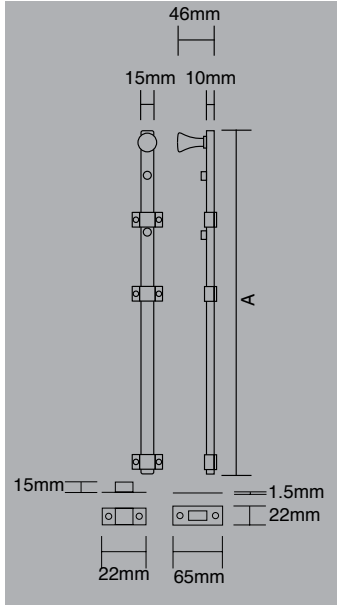
All Door Styles





DOOR HARDWARE

BOLTS



Concealed Fix Panic Bolts

Part No.	Description	Box Qty.
JPH-1781/300 SC	300 mm Concealed Fix	6
JPH-1781/450 SC	450 mm Concealed Fix	6
JPH-1781/600 SC	600 mm Concealed Fix	6
JPH-1781/900 SC	900 mm Concealed Fix	6

Offset Bolts Available

Color Code	Description
SC	Satin Chrome



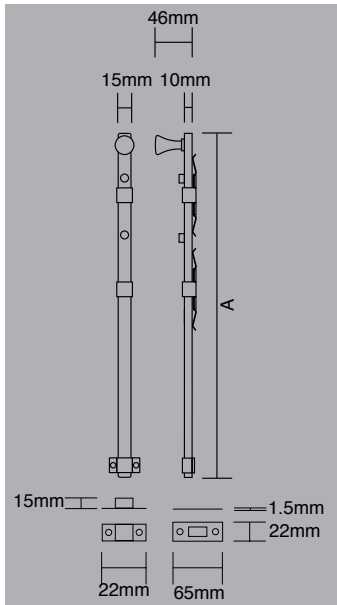
Timber



Aluminium



uPVC



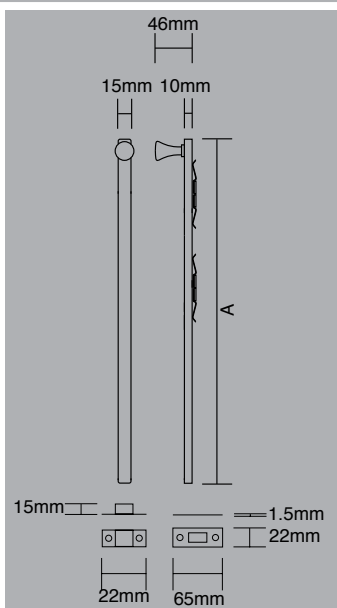
Visible Fix Panic Bolts

Part No.	Description	Box Qty.
JPH-1791/300 SCP	300 mm Visible Fix	6
JPH-1791/450 SCP	450 mm Visible Fix	6
JPH-1791/600 SCP	600 mm Visible Fix	6
JPH-1791/900 SCP	900 mm Visible Fix	6

Offset Bolts Available

Color Code	Description
SC	Satin Chrome

Enclosed Fix Panic Bolts



Part No.	Description	Box Qty.
JPH-1831/300SCP	300 mm Enclosed Fix	10
JPH-1831/450SCP	450 mm Enclosed Fix	10
JPH-1831/600SCP	600 mm Enclosed Fix	10
JPH-1831/900SCP	900 mm Enclosed Fix	10
JPH-1832	Floor Plate for 1831 Panic Bolts	1
JPH-1833	Top Keeper for 1831 Panic Bolts	1

Color Code	Description
SC	Satin Chrome



Timber



Aluminium



uPVC



All Door Styles

Concealed Flush Bolt

Part No.	Description	Box Qty.
SU-••030	Superior Brass Flush Bolt 150 mm	12
SU-••031	Superior Brass Flush Bolt 200 mm	12
DA-1901/03	Flush Bolt 300 mm	10
DA-1901/04	Flush Bolt 450 mm	10

Color Code	Description	Color Code	Description
05	Polished Brass	35	Chrome Plated



Timber



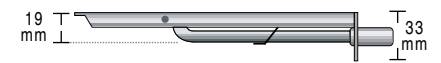
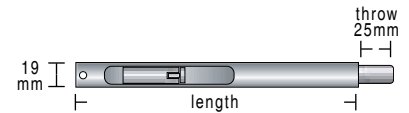
Aluminium



uPVC



All Hinged Styles



Flush Bolt

Part No.	Description	Box Qty.
NH-75-202/•••/xx	Flush Bolt	10

Length Code	Description	Color Code	Description
300	300mm	450	450mm
600	600mm	900	900mm

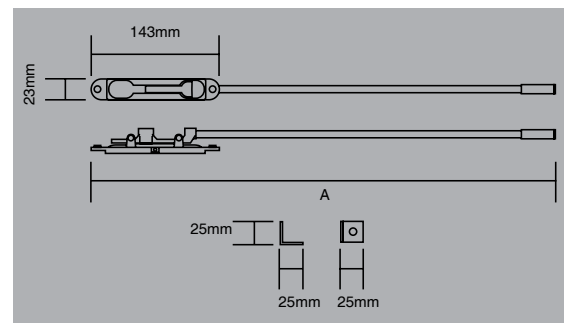
Color Code	Description	Color Code	Description
BK	Black	SC	Chrome Plated
WH	White		



Aluminium



uPVC



DOOR STOPS



Part No.	Description	Box Qty.
JPH-250	Floor Mounted Door Stop	10

Color Code	Description
SC	Satin Chrome



Part No.	Description	Box Qty.
JPH-290	Floor Mounted Door Stop	10
JPH-291	Door Stop Spacer Suits Product Code JPH-290	10

Color Code	Description
CP	Chrome Plated

Color Code	Description
SC	Satin Chrome



Part No.	Description	Box Qty.
JPH-400	Floor Mounted Door Stop	10

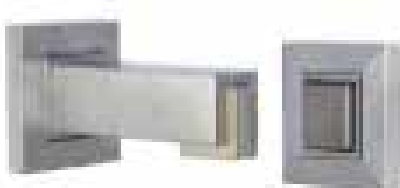
Color Code	Description
CP	Chrome Plated

Color Code	Description
SC	Satin Chrome



Part No.	Description	Box Qty.
JPH-500	Skirting Mounted Door Stop	10

Color Code	Description
CA	Clear Anodised



Part No.	Description	Box Qty.
SU-3729	Floor/Wall Mounted Magnetic Door Stop	10

Color Code	Description
4	Chrome Plate

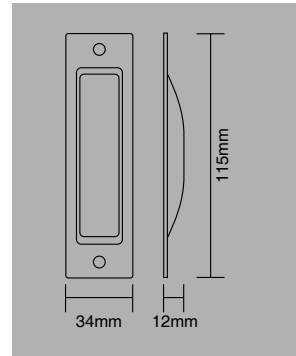
Color Code	Description
4	Satin Chrome

Part No.	Description	Box Qty.
JPH-AFP115/••	Flush Pulls 115 x 34mm	10

Color Code	Description	Color Code	Description
CP	Chrome Plate	SC	Satin Chrome

Timber
 Aluminium
 uPVC

Sliding Doors

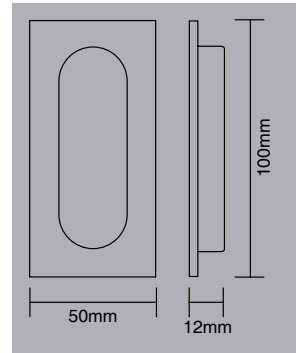


Part No.	Description	Box Qty.
JPH-6105	Satin Flush Pull 100 mm x 50 mm	10

Color Code	Description
SC	Satin

Timber
 Aluminium
 uPVC

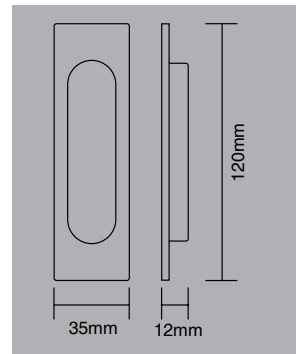
Sliding Doors



Part No.	Description	Box Qty.
JPH-6200	Satin Flush Pull 120 mm x 35 mm	10

Color Code	Description	Color Code	Description
CP	Chrome Plated	SC	Satin Chrome
PB	Polished Brass		

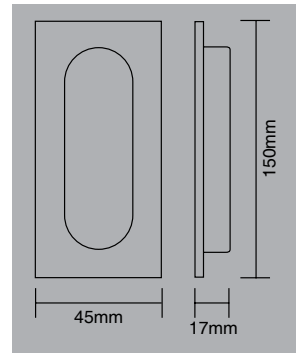
Timber
 Aluminium
 uPVC



Part No.	Description	Box Qty.
JPH-6205	Satin Flush Pull 150 mm x 45 mm	10

Color Code	Description	Color Code	Description
CP	Chrome Plated	SC	Satin Chrome
PB	Polished Brass		

Timber
 Aluminium
 uPVC



Part No.	Description	Box Qty.
SU-445•	Pull Flush Ring	10

Color Code	Description	Color Code	Description
PB	Polished Brass	SC	Satin Chrome

Timber
 Aluminium
 uPVC

All Door Styles



Glazing Blocks



Part No.	Description	Qty Ctn	Roll
JPH-PP116•	Setting Block Soft 10mm x 3mm Black	1000	50m
JPH-PP115•	Setting Block Soft 10mm x 5mm Black	1000	50m
JPH-PP111•	Setting Block Soft 10mm x 12mm Black	500	20m
JPH-PP617•	Setting Block Soft 10mm x 14mm Black	500	20m
JPH-PP1214R	Setting Block Soft 28mm x 3mm Black - Double Glazing		50m
JPH-PP1215R	Setting Block Soft 28mm x 6mm Black - Double Glazing		30m
JPH-PP1216R	Setting Block Soft 28mm x 12mm Black - Double Glazing		20m

Glazing Wedges



Part No.	Description	Length
JPH-27-103	3mm Glazing Gap	30 m
JPH-27-102	5mm Glazing Gap	30 m
JPH-27-101	7mm Glazing Gap	30 m

JPH Packers

Part No.	Description	Qty.
JPH-EE01	75 x 37mm Horseshoe Packers - 1.6mm White	200
JPH-EE02	75 x 37mm Horseshoe Packers - 3.2mm Blue	200
JPH-EE03	75 x 37mm Horseshoe Packers - 5.0mm Red	200
JPH-EE04	75 x 37mm Horseshoe Packers - 6.4mm Green	200
JPH-EE05	75 x 37mm Horseshoe Packers - 10.0mm Black	100
JD - PCK90 1.5	90 x 37mm Horseshoe Packers - 1.5mm	1000
JD - PCK90 3.0	90 x 37mm Horseshoe Packers - 3.0mm	1000
JD - PCK90 5.0	90 x 37mm Horseshoe Packers - 5.0mm	1000
JD - PCK90 10.0	90 x 37mm Horseshoe Packers - 10.0mm	500



JPH Backing Rod

Part No.	Description	Qty.
GT-BACKROD10200-C	Backing Rod Polyethylene 10mm x 500m - White	200
GT-BACKROD15100-C	Backing Rod Polyethylene 15mm x 100m - White	200
GT-BACKROD2060-C	Backing Rod Polyethylene 20mm x 100m - White	200





DOOR HARDWARE

DOOR SPIGOTS

Door Spigots



Part No.	Description	Qty.
JPA-FM121	SPIGOT STANDARD SINGLE	100
JPA-FM138	SPIGOT DEEP SINGLE	100
JPA-FM159	SPIGOT SHALLOW SINGLE	100
JPA-FM121SET	SPIGOT STANDARD SET - W/BOLTS	100
JPA-FM138SET	SPIGOT DEEP SET - W/BOLTS	100
JPA-FM139SET	SPIGOT WINGED SET - W/BOLTS	100

Toilet Indicator Accessories Pack

Part No.	Description	Qty.
JPH-36-904B	Toilet Indicator Accessories Pack*	1

Color Code	Description	Color Code	Description
SC	Satin Chrome	CP	Chrome Plated



Spring Hinge

Part No.	Description	Qty.
JPH-36-905	Spring Hinge*	1

Color Code	Description	Color Code	Description
SC	Satin Chrome	CP	Chrome Plated



Gravity Hinge

Part No.	Description	Qty.
JPH-37-0108L	Gravity Hinge Heavy Duty(LH, Pair)*	1
JPH-37-0108R	Gravity Hinge Heavy Duty(RH, Pair)*	1

Color Code	Description	Color Code	Description
SC	Satin Chrome	CP	Chrome Plated



Standard Bumper

Part No.	Description	Qty.
JPH-36-803	Standard Bumper*	1

Color Code	Description	Color Code	Description
SC	Satin Chrome	CP	Chrome Plated



L Shaped Coat Hook - Door Stop*

Part No.	Description	Qty.
JPH-36-904	L Shaped Coat Hook - Door Stop*	1

Color Code	Description	Color Code	Description
SC	Satin Chrome	CP	Chrome Plated





S7000 Series Sliding Door Roller

The S7000 series is the latest edition of rollers on offer for the timber door market. Built with high grade sealed precision bearings, these rollers are manufactured to go the distance. This improved design offers less rolling resistance which results in effortless operation.

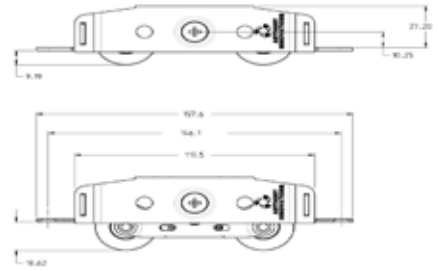
Comes with:

10 year warranty for peace of mind.

The confidence of product testing to 50,000 cycles with a 200kg panel weight.



Part No.	Description	Load
AI-S7000DGA	Plated Steel Carriage, Chrome Steel Bearing	100 Kg
AI-S7000DPA	Plated Steel Carriage, Chrome Steel Bearing	100 Kg
AI-S7000DNA	Plated Steel Carriage, Chrome Steel Bearing	80 Kg
<hr/>		
AI-SS7000DSGA	Stainless Steel Carriage, Stainless Steel Bearing	100 Kg
AI-SS7000DSPA	Stainless Steel Carriage, Stainless Steel Bearing	100 Kg
AI-SS7000DSNA	Stainless Steel Carriage, Stainless Steel Bearing	80 Kg



Timber



Aluminium



Sliding

SS2400 Series Eurogroove Roller



Anti-corrosive components

Dual wheel bogey

5mm of adjustment

Part number: SS2400DSNA

Load Capacity (per assembly): 60 kg



Timber



Aluminium



Sliding

Adjustable Top Hung

- Assembly to suit Alcan 200 Series Sliding Door System -



Part No.	Description	Load
JPR-JP1020	Adjustable Top Hung Roller	100 Kg



Aluminium



Sliding



Heavy Duty Bottom Roller

Part No.	Description
JPR-JP1021	H/Duty Bottom Roller



Aluminium



Sliding



Truth Super Heavy Duty Adjustable Door Roller

- The Truth Hardware super heavy duty door roller is clearly a class above all competition. The truth design offers a smoother, easier, operation with the capacity to carry doors up to 270KG. Designed for wasy installation and trouble free service These rollers are heat treated for wear resistance and plated for corrosion resistance.



Part No.	Carriage	Wheel	Load
T-38.09.00.050	S/S	S/S	270 Kg (Per Pair)

Truth Heavy Duty Adjustable Door Roller

- Designed for easy installation and trouble-free service, these high quality radial ball bearing-equipped rollers encompass Truth Hardware's unique advantage in that they manufacture our own ball bearings. These rollers are then heat treated for wear resistance and plated for corrosion resistance. This method provides the longest lasting true running rollers capable of carrying the heaviest loads. You can dependably support up to a 182 KG door with two roller assemblies per door (nylon wheels rated up to a 114KG door)



Part No.	Carriage	Wheel	Load
T-39-13-00	Steel	S/S	182 Kg (Per Pair)
T-39-10-00	Steel	Steel	182 Kg (Per Pair)
T-39-11-00	Steel	Nylon	114 Kg (Per Pair)



Timber



Aluminium



uPVC



Sliding



AI 9000 Series Tandem Sliding Door Roller

• The N9000 series compound carriage's unique designs allows for longer life due to it's corrosion resistant properties, high impact absorption and greater structural integrity. Ease of adjustment under load means simpler and quicker installation. This product being of Australian design and manufacture is assured by our 10 year Warranty.

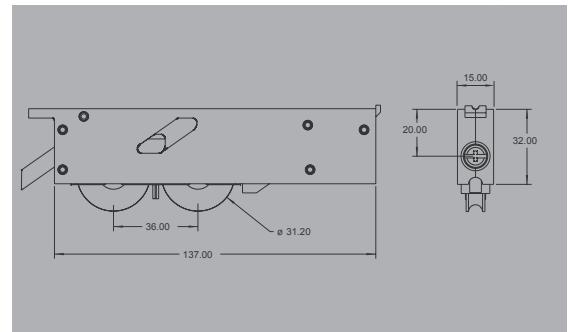
Features

Adjustable under load, Smooth operation, Equal distribution of weight, Non corrosive adjustment mechanism, 10 year warranty, Industry leading bearing, Advanced tyre compound

Specification

Height adjustment: 12 mm\carriage height: 33mm

Single wheel product also available



Part No.	Corrosion Res	Tyre	Load
AI-N9017DSGD	Anti Corrosive	S/S	100 Kg
AI-N9017DSNA	Anti Corrosive	Acetal	80 Kg
AI-N9017DSND	Anti Corrosive	Acetal	50 Kg
AI-N9017DNA	Standard	Acetal	80 Kg
AI-N9017DND	Standard	Acetal	50 Kg
AI-N9017DSPA	Anti Corrosive	Acetal	100 Kg
AI-N9017DPA	Standard	Acetal	100 Kg



Timber



Aluminium



Sliding

Mammoth 7000 series Twin Wheel Door Rollers

• The 7000 series by Mammoth. A High performance door roller, using twin 36mm wheels This patented design has a 25% reduction in operating force, over other systems with 32mm wheels. These bigger, double sealed, stainless steel wheels, are riveted to a Stainless Steel inner carriage for ultimate strength. Combined with an engineered reinforced polymer outer carriage that is custom designed to the suit the aluminum door styles, results in a class leading roller that will outlast and outperform any others on the market.

New Captive Screw Adjustment

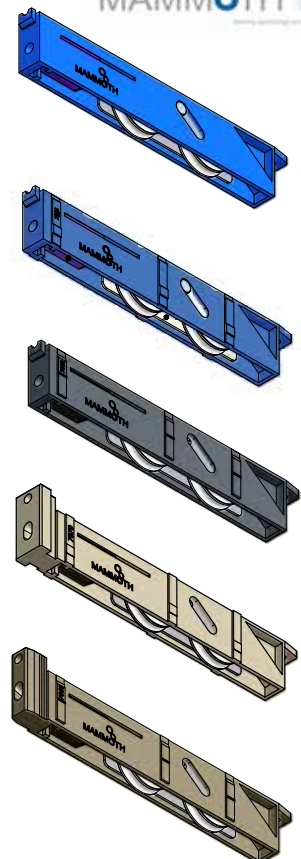
Bigger Wheels- Easier To Roll

Load Capacity To 240Kg Doors

Available With Plastic Or Stainless Steel Tyres

Easily Customised To Suit Any Extrusion

10 Year Guarantee



Part No.	Corrosion Res	Tyre	Load
JPR-45-7000 SNG	Anti Corrosive	Plastic Tyre	90 Kg
JPR-45-7000 SSG	Anti Corrosive	S/S Tyre	120 Kg
JPR-45-7001 SNG	Anti Corrosive	Plastic Tyre	90 Kg
JPR-45-7001 SSG	Anti Corrosive	S/S Tyre	120 Kg



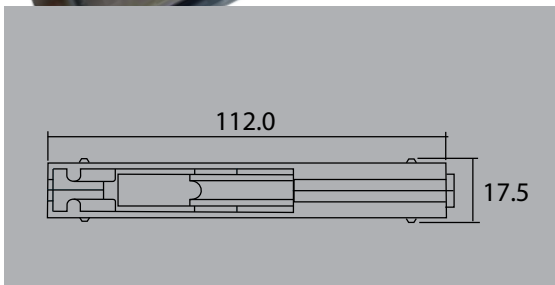
Timber



Aluminium



Sliding



AI Single Roller Adjustable

• The N5000 series compound carriage's unique design allows for longer life due to its corrosion resistant properties and greater structural integrity. Ease of adjustment under load means simpler and quicker installation. This product being of Australian design and manufacture is assured by our 10 year Warranty.

Part No.	Outer	Inner	Balls	Load
AI-N5001SF	Acetal	Nylon	S/S	25 Kg
AI-N5001ND	Acetal	Nylon	Steel	25 Kg
AI-N5001SND	Acetal	Nylon	S/S	25 Kg
AI-N5001SGD	S/S	Nylon	S/S	50 Kg
AI-N5201NA	Acetal	Nylon	Steel	40 Kg
AI-N5001SNA	S/S	Nylon	Steel	40 Kg



Timber



Aluminium



uPVC



Sliding



AI SS10000 Series Quad Sliding Door Roller

• Capable of moving 400kg panels, this product is in a league of its own. The 4 wheel roller assembly equally distributes the weight across each wheel ensuring less resistance, smoother operation, and limits track wear. With all stainless steel components this product provides the ultimate corrosion resistance.

- 10 year warranty for peace of mind.
- The confidence of product testing to 50,000 cycles and capable of moving 400kg panel weights.

Part No.	Outer	Inner	Balls	Load
AI-SS10000DSGA	Stainless Steel	Stainless Steel	Stainless Steel	200 Kg
AI-SS10000DSPA	Stainless Steel	Engineered Plastic	Stainless Steel	200 Kg



Timber



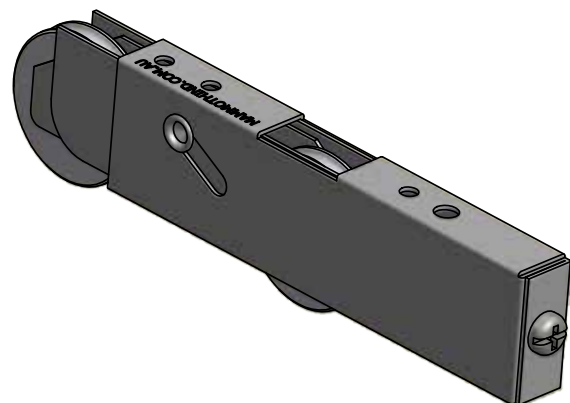
Aluminium



uPVC



Sliding



Heavy Duty Tandem Roller

Part No.	Description	Load
JPR-45-7550-SNG	Stainless Steel Body & Tyre	150 Kg



Timber



Aluminium



Sliding

Adjustable Sliding Door Roller

Part No.	Wheel	Load
AI-SS35NA	Stainless Steel Carriage Nylon Tyre Precision Bearing	60 Kg



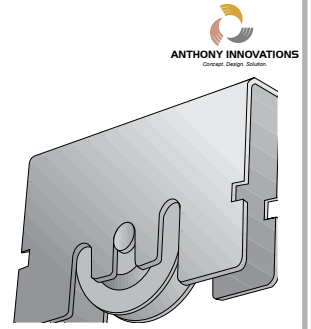
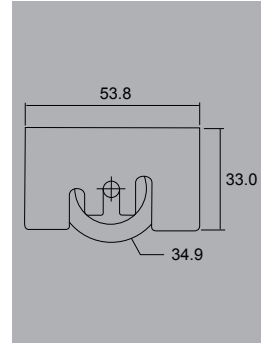
Timber



Aluminium



Sliding



ANTHONY INNOVATIONS
Concept Design Solution

Adjustable Door Roller

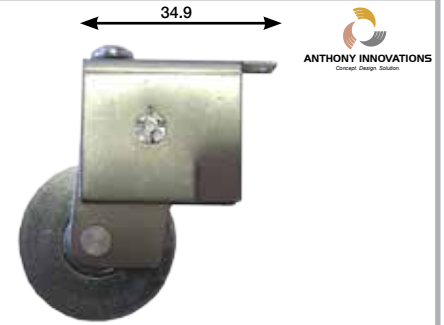
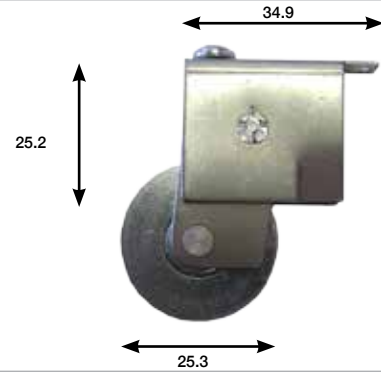
Part No.	Wheel	Load
AI-SS186GL	Steel Carriage Stainless Steel Tyre	25 Kg



Timber



Aluminium



ANTHONY INNOVATIONS
Concept Design Solution

Bottom Roller

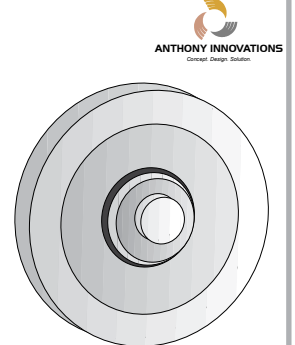
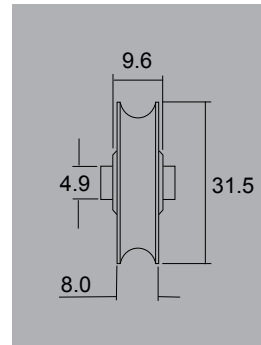
Part No.	Wheel	Load
AI-Z-ND3208	Steel Bearings Plastic Tyre C/W Axle	25 Kg



Timber



Aluminium



ANTHONY INNOVATIONS
Concept Design Solution

Non-Adjustable Steel Door Roller

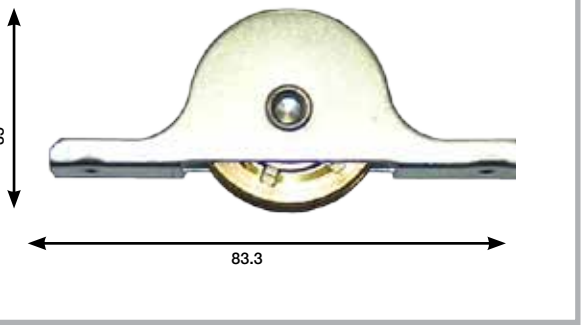
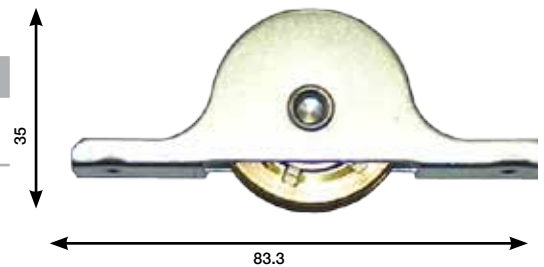
Part No.	Wheel	Load
JPR-JP1008	Non Adjustable Roller Assembly Steel Carriage Brass Roller	30 Kg



Timber



Sliding



ANTHONY INNOVATIONS
Concept Design Solution

Adjustable Steel Carriage

Part No.	Wheel	Load
AI-Z-S53500BA	Stainless carriage, Brass Tyred With Precision Bearing	100 Kg



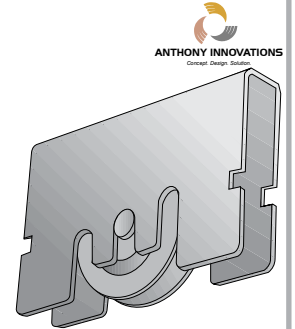
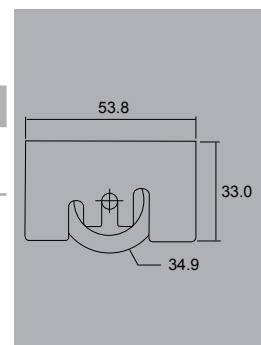
Timber



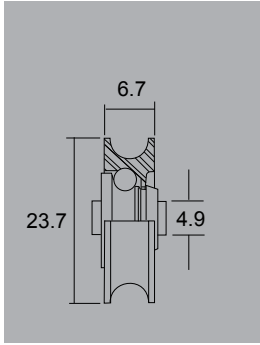
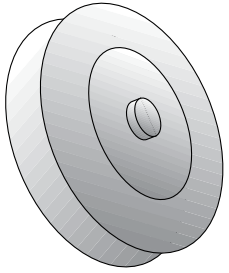
Aluminium



Sliding



ANTHONY INNOVATIONS
Concept Design Solution



Light Duty Roller

Part No.	Wheel	Load
AI-SJ2404	Plastic Wheel, Anti-Corrosive	12 Kg



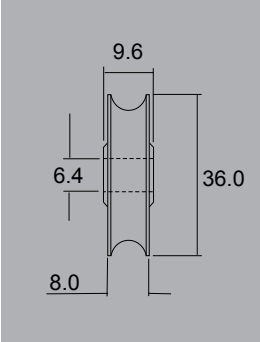
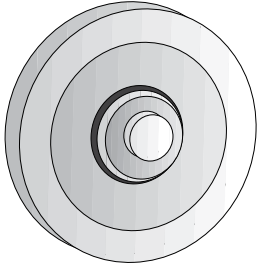
Timber



Aluminium



Sliding



Bottom Roller

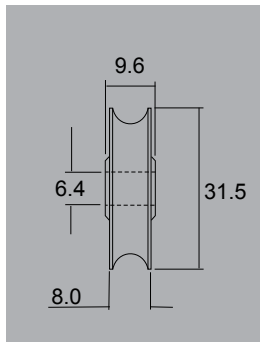
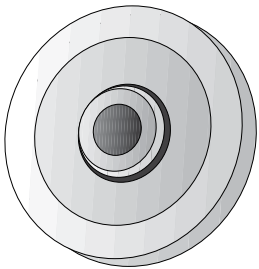
Part No.	Wheel	Load
AI-Z-ND3607	Steel Bearing Plastic Tyre - C/W Axle	35 Kg



Timber



Aluminium



Bottom Roller

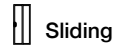
Part No.	Wheel	Load
AI-Z-ND3201	Steel Bearing Plastic Tyre - No Axle	25 Kg



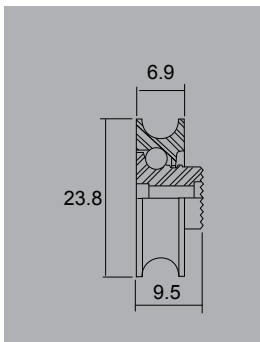
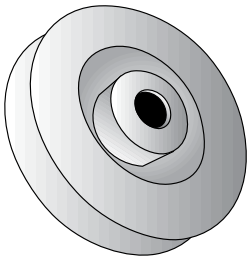
Timber



Aluminium



Sliding



Light Duty Roller

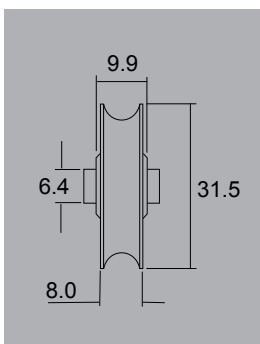
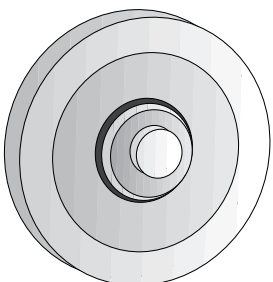
Part No.	Wheel	Load
AI-SJ2401	Plastic Inner	12 Kg



Timber



Aluminium



Bottom Roller

Part No.	Wheel	Load
AI-Z-ND3200	Acetal Wheel, Steel Bearing	25 Kg



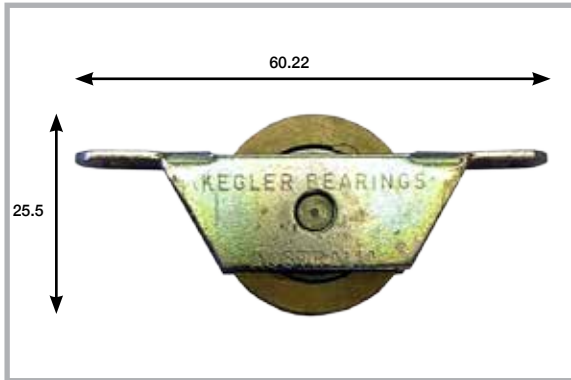
Timber



Aluminium



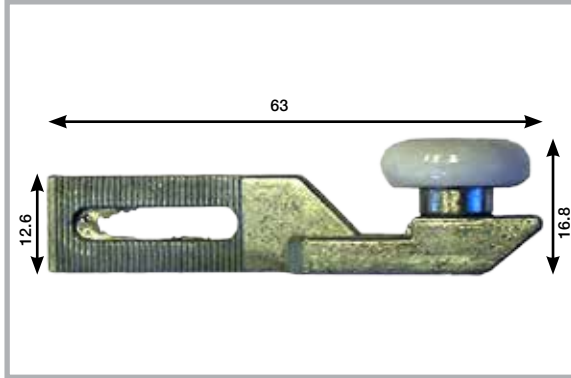
Sliding



Fly Door Roller

Part No.	Wheel	Load
KI-300-10	Steel Carriage Brass Roller	20 Kg

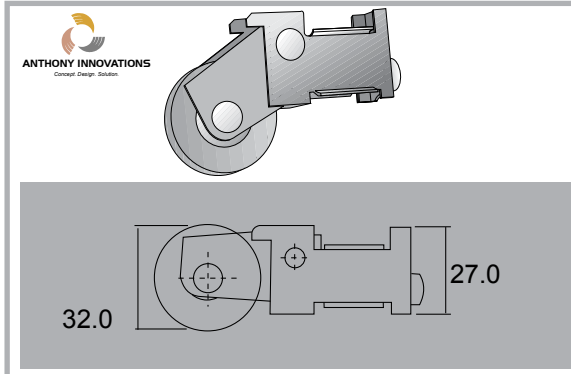
-  Timber
-  Sliding



Adjustable Overhead Flydoor Roller

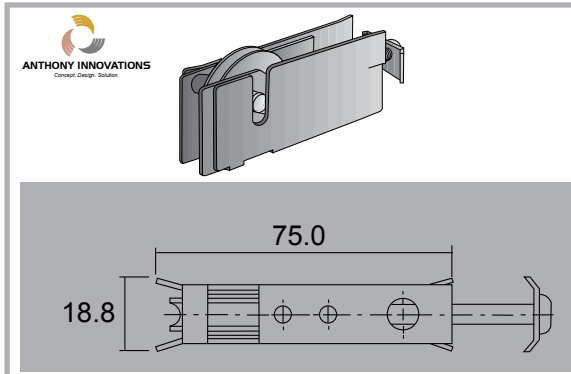
Part No.	Wheel	Load
KI-9-205-10		11 Kg

-  Timber
-  Aluminium
-  Sliding



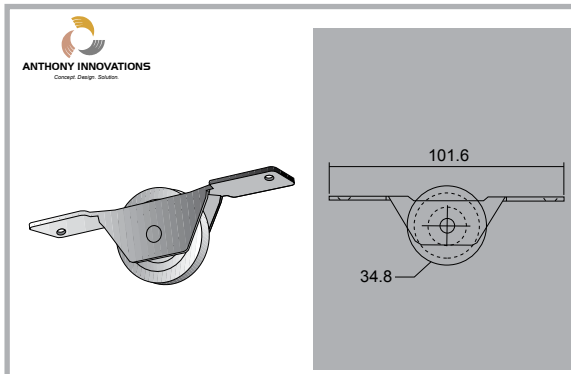
Part No.	Wheel	Load
AI-Z-S20NDS	Steel Bearing Plastic Tyre C/W Axle	25 Kg

-  Timber
-  Aluminium
-  Sliding





Part No.	Wheel	Load
AI-S3225ND	Adjustable Roller Steel Carriage and Plastic Tyre	30 Kg

-  Timber
-  Aluminium
-  Sliding



Sliding Door Roller Assembly

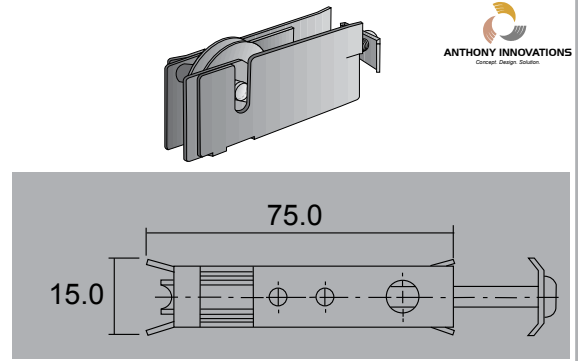
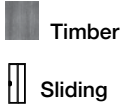
Part No.	Wheel	Load
AI-Z-S35BD	Steel Carriage Brass Tyre	100 Kg

-  Timber
-  Sliding



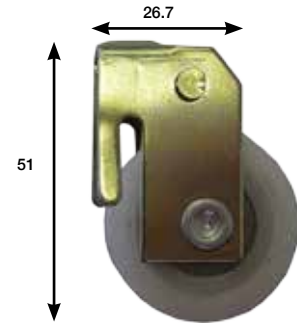
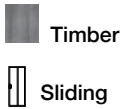
Adjustable Sliding Door Roller

Part No.	Wheel	Load
AI-Z-A328ND	Aluminum Carriage - Nylon Tyre	25 Kg
JPR-S328ND	Steel Carriage - Nylon Tyre	25 Kg



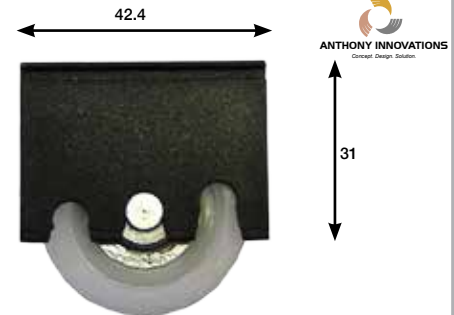
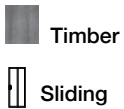
Sliding Door Adjustable Roller

Part No.	Wheel	Load
AI-S371ND	Steel Carriage Nylon Tyre	12 Kg



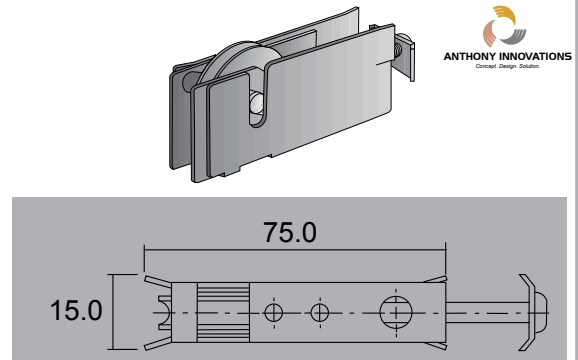
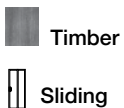
Sliding Door Roller Assembly

Part No.	Wheel	Load
AI -N36CA	Plastic Carriage Nylon Tyre	25 Kg

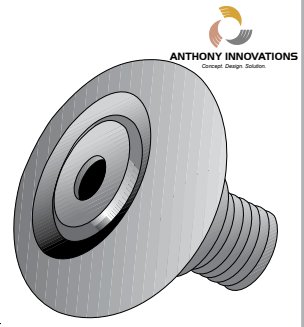
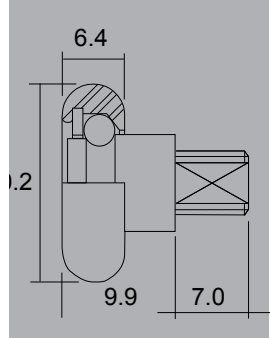


Adjustable Door Roller

Part No.	Wheel	Load
JPR--S324-BD	Steel Carriage Brass Wheel	35 Kg
AI--S324-BD	Aluminium Carriage Brass Wheel	35 Kg



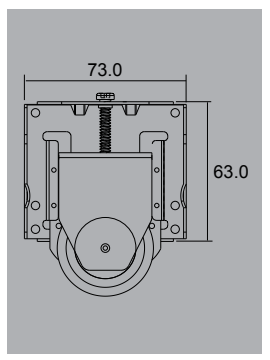
Part No.	Wheel	Load
AI-ND2001	Light Duty ND Bearings Plastic Radius Outer Solid Inner	15 Kg



- Timber
- Aluminium
- uPVC
- Wardrobe

Wardrobe Roller

Part No.	Wheel	Load
JPR-WARDROLL	JPH Wardrobe Roller	30 Kg
AI-Z-S4301NA	Kwikrobe - Wardrobe Roller	30 Kg



- Aluminium



Kwikfit Security Door Roller

9.5mm height adjustment under load, No Drilling, No Riveting, Fits in less than 10 seconds, Improves productivity, Corrosion resistant materials, 10 year warranty, Australian Made, Full adjustment in one clockwise revolution, Superior glass fibre reinforced nylon housing, Engineered plastic to reduce noise, Industry leading bearing, Advanced tyre compound, Full stainless ball complement.

Part No.	Wheel	Load
AI-KF3200SF	AusFit Anti Corrosive	20 Kg
AI-KF3200NA	AusFit Steel Bearing	20 Kg
AI-GKF3200SF	KwikFit Anti Corrosive	25 Kg
AI-GKF3200SGA	KwikFit Stainless Steel Wheel	25 Kg



Aluminium



Security Door



KLIK2FIT Security Door Roller

Click 2 Fit's unique patented construction offers extreme durability and easy adjustment. The carriage assembly is completely corrosion free and combined with our superior wheels Click 2 fits gives the greatest corrosion and load capacities available in Australia Available with 2 wheel option -

Corrosion Guard (standard wheel)

Max Guard - Stainless Steel Wheel for maximum protection. Ask you JP Representative for ordering information.

Part No.	Wheel	Load
JPR-KLIK2FIT	KLIK2FIT Security Door Roller	20 Kg



Aluminium



Cornerstake Security Door Roller

Part No.	Wheel	Load
AI-N2466SJ-G	30.2mm x 34mm flydoor cornerstake with plastic wheel	15 Kg
AI-N2467SJ	42mm x 16mm flydoor cornerstake	15 Kg



Aluminium



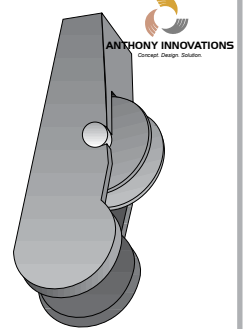
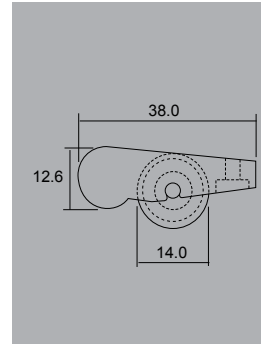
Security Door

Adjustable Sliding Window Roller

Part No.	Wheel	Load
JPR-45-140-SG	Sliding Window Showcase Roller -Stainless Tyre	12 Kg
AI-N1408SGL	Sliding Window Showcase Roller -Stainless Tyre	12 Kg

Aluminium

Sliding



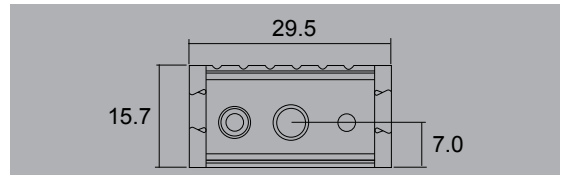
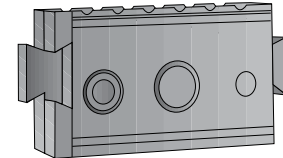
Interlocking Sliding Window Assembly

Part No.	Wheel	Load
AI-N800C		8 Kg

Timber

Aluminium

Sliding

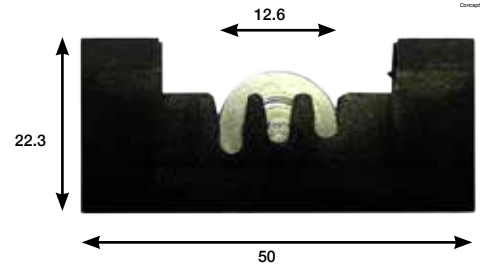


Part No.	Wheel	Load
AI-N1600GL	Plastic Tyre	12 Kg

Timber

Aluminium

Sliding

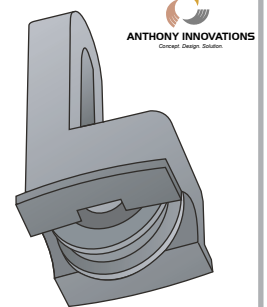
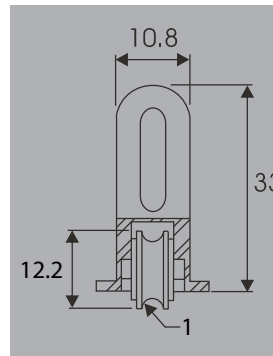


Part No.	Wheel	Load
AI-N1203N	Roller and carr for s/alum window	10 Kg

Timber

Aluminium

Sliding

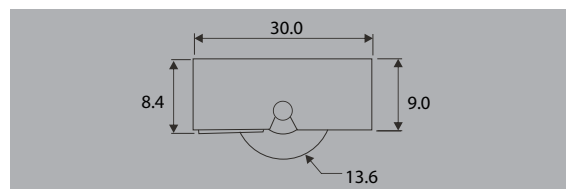
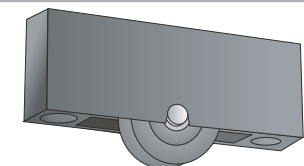


Part No.	Wheel	Load
AI-N1409N	Sliding Window Roller - Brass Pin, Plastic Wheel	12 Kg

Timber

Aluminium

Sliding





1600 Series Tandem Window Roller

5.5mm adjustment under load
 Anti corrosive properties
 Bogey carriage design
 Patented adjustment
 Australian designed and manufactured
 Tested and proven



Part No.	Wheel	Load
AI-SN1600IR	TWR 1600 Tandem Window Roller - Platic Tyre	22 Kg
AI-SN1600SGA	TWR 1600 Tandem Window Roller - S/S Tyre	22 Kg



Timber



Aluminium



Sliding

Adjustable Sash Roller



Part No.	Wheel	Load
KI-9-405-10	Steel Carriage Nylon Tyre	20 Kg
KI-9-405-13	Steel Carriage Brass Tyre	20 Kg



Timber



Aluminium



Sliding

N1600 Series Dual Wheel Window roller

Anti-corrosive components
 Dual wheel bogey
 Multiple mounting positions
 5mm of adjustment

Part number: N1600N
 Load Capacity (per assembly): 22 kg



Timber



Aluminium




Sliding

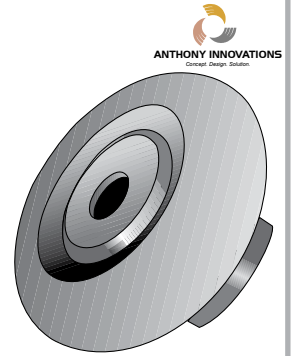
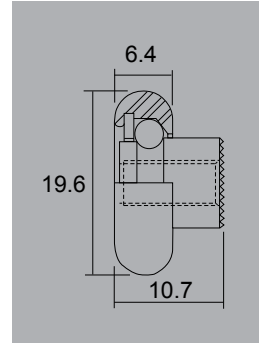
ROLLERS

SHOWERSCREEN



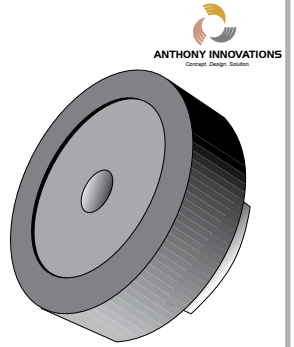
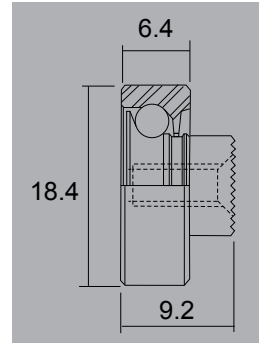
Part No.	Wheel	Load
AI-ND1918	Plastic Tyre	15 Kg

 Shower Screen



Part No.	Wheel	Load
AI-NJ196G	Shower Screen/ Light Duty Roller Plastic Flat Outer Solid Inner	12 Kg

 Shower Screen



Schelgel Polypile Fringe Pile



• For sealing gaps at the edges of swing doors, roller shutters and other similar, narrow profile applications.

For added, long-lasting performance, all Schlegel pile weatherstripping is:

- U.V. Stabilized
- Silicone-treated to repel water
- Resistant to mold, mildew, and corrosion
- Acid and alkaline resistant
- Easy to install

All Stock available by the metre.

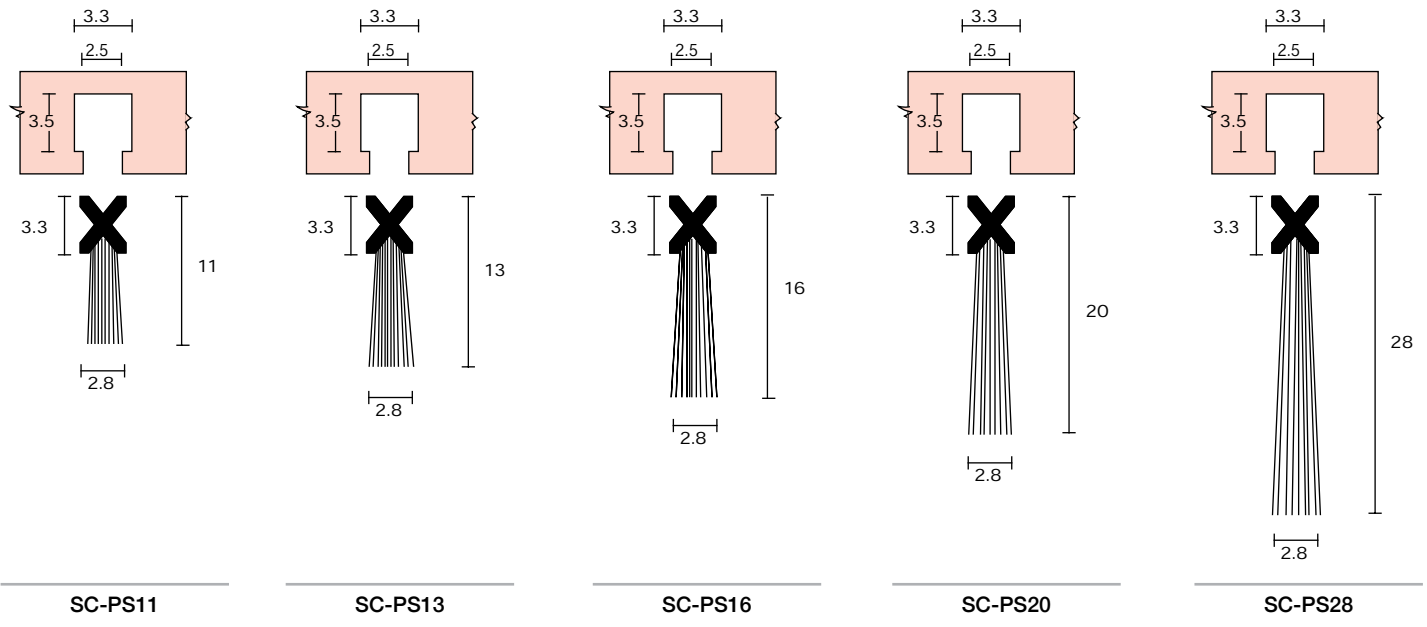


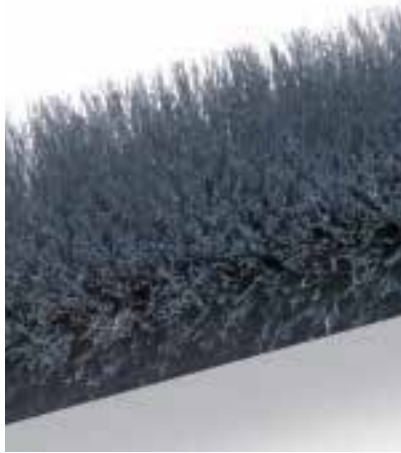
Part No.	Pile Length	Length
SC-PS11 •	11mm	600 mm
SC-PS13 •	13mm	500 mm
SC-PS16 •	16mm	500 mm
SC-PS20 •	20mm	300 mm
SC-PS28 •	28mm	100 mm

Color Code	Description
G	Grey

Color Code	Description
B	Black

Aluminium





Schlegel Poly-bond Weatherstripping

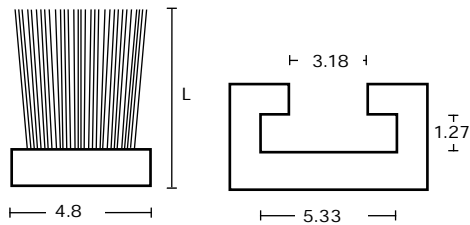
• Consists of woven polypropylene pile and a tough polypropylene backing that's ideal for keeping out drafts, water, noise, and more. And, in addition to offering great sealing protection, POLY-BOND's pile fibers:

- Move independently to seal against irregular surfaces
- Resist abrasion
- Prevent sticking or binding, due to low friction design

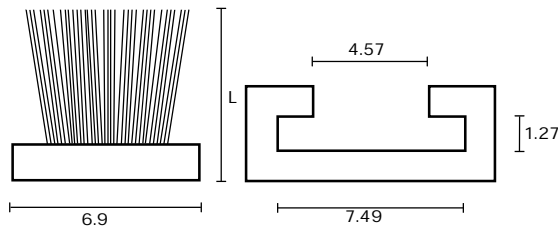
For added, long-lasting performance, all SCHLEGEL pile weatherstripping is:

- U.V. Stabilized
- Silicone-treated to repel water
- Resistant to mold, mildew, and corrosion
- Acid and alkaline resistant
- Easy to install

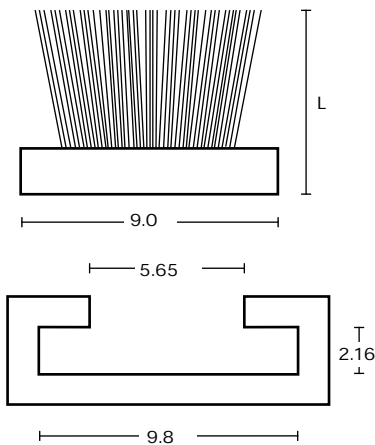
All Stock available by the metre.



SC-PB48



SC-PB69



SC-PB90

Part No.	Pile Length (L)	Length
SC-PB48.350 •	3.50mm	600m
SC-PB48.375 •	3.75mm	600m
SC-PB48.400 •	4.00mm	600m
SC-PB48.425 •	4.25mm	550m
SC-PB48.450 •	4.50mm	550m
SC-PB48.500 •	5.00mm	500m
SC-PB48.525 •	5.25mm	500m
SC-PB48.550 •	5.50mm	450m
SC-PB48.600 •	6.00mm	450m
SC-PB48.650 •	6.50mm	400m
SC-PB48.750 •	7.50mm	350m

SC-PB69.350 •	3.50mm	600m
SC-PB69.425 •	4.25mm	500m
SC-PB69.450 •	4.50mm	450m
SC-PB69.500 •	5.00mm	450m
SC-PB69.525 •	5.25mm	450m
SC-PB69.575 •	5.75mm	400m
SC-PB69.600 •	6.00mm	400m
SC-PB69.625 •	6.25mm	350m
SC-PB69.650 •	6.50mm	350m
SC-PB69.750 •	7.50mm	300m
SC-PB69.800 •	8.00mm	300m
SC-PB69.1275 •	12.75mm	200m

SC-PB90.6.25 •	6.25mm	200m
SC-PB90.700 •	7.00mm	200m
SC-PB90.900 •	9.00mm	150m

Color Code	Description	Color Code	Description
G	Grey	B	Black



Schlegel Fin-Seal Weatherstripping



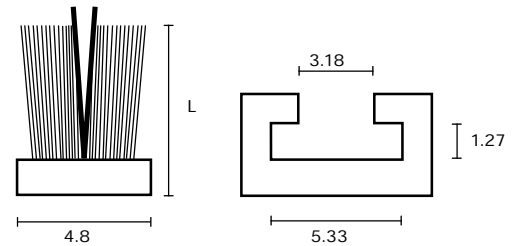
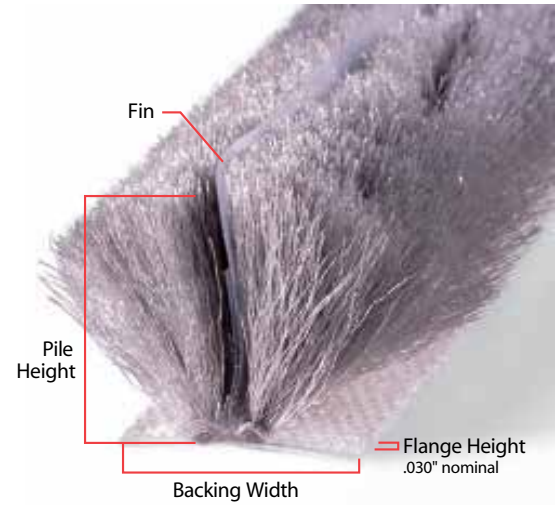
• Provides even more sealing protection from drafts, water, dust, and noise through a combination of its tough polypropylene construction and a durable central sealing fin. And now, FIN-SEAL's EZ Fin option allows for simple installation in PVC, with its low coefficient of friction. Plus:

- Central fin acts as an additional, effective barrier against air infiltration and water penetration
- Both pile and central fin are U.V. stabilized
- Low friction design prevents sticking or binding

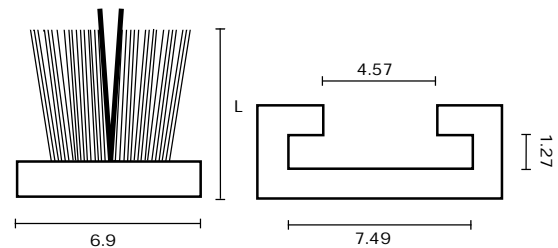
For added, long-lasting performance, all Schlegel pile weatherstripping is:

- U.V. Stabilized
- Silicone-treated to repel water
- Resistant to mold, mildew, and corrosion
- Acid and alkaline resistant
- Easy to install

Part No.	Pile Length (L)	Length
SC-PBF48.425	4.25mm	500m
SC-PBF48.475	4.75mm	500m
SC-PBF48.550	5.50mm	450m
SC-PBF48.600	6.00mm	400m
SC-PBF48.650	6.50mm	400m
SC-PBF48.800	8.00mm	300m
SC-PBF69.500	5.00mm	300m
SC-PBF69.550	5.50mm	400m
SC-PBF69.650	6.50mm	350m
SC-PBF69.900	9.00mm	200m



SC-PBF48



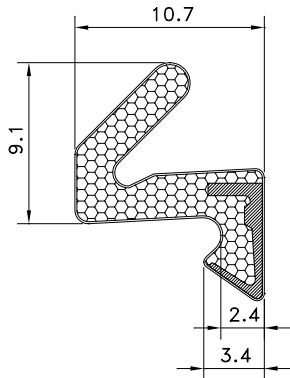
SC-PBF69

Color Code	Description
G	Grey

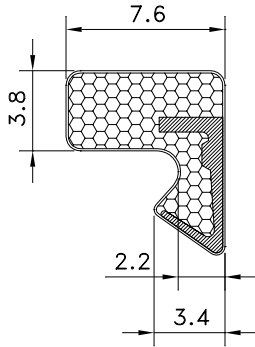
Color Code	Description
B	Black



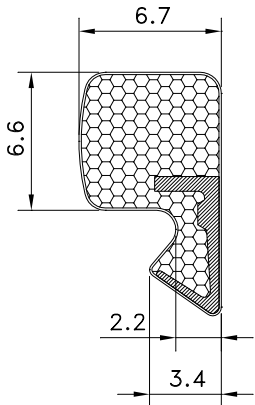
* Timber Seal Available



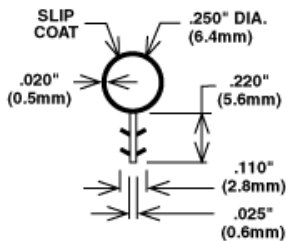
Aquamac 21



Aquamac 48



Aquamac 63



Kerf Seals AP 425

Schlegel Aquamac

AQUAMAC is the only non-rot weatherseal specifically for timber windows and doors.

Schlegel's AQUAMAC Weatherseal stays looking good for years, its water repellent foam is unaffected by rot, mould or mildew and will not freeze to mating surfaces

It's unique design makes Aquamac impervious to paint and stain, which can be a big time saver when it comes to maintenance.

AQUAMAC maintains consistently high standards of energy efficiency, often exceeding any long-term window performance guarantees.

Lifetime guarantee.

Doesn't shrink or stretch, even in extreme climatic conditions

Excellent memory - retains its original shape for a consistently high standard of weatherseal

Exceptional performance maintained over a wide temperature range.

High wear resistance reduces wear and tear Immune to the effects of UV light and ozone

Impervious to paint or stain - reducing decoration maintenance costs

Lower insertion forces speed up fitting by 15%

CFC free - more environmentally friendly

Outstanding energy efficiency

Conforms to BS644/BBA approval

Compensates for window movement

Available in 2 standard colours - White and Brown. Others available

All Stock available by the metre.

Part No.	Description	Length
SC-AQ21 ••	Aquamac 21	250 m

Part No.	Description	Length
SC-AQ48 ••	Aquamac 48	350 m

Part No.	Description	Length
SC-AQ63 ••	Aquamac 63	300 m

Part No.	Description	Length
SC-AP425 ••	Kerf Seals AP 425	382 m
SC-A415 ••	Kerf Seals AP 415 (Off Set)	305 m

Color Code	Description
B	Bronze
W	White

Color Code	Description
BLK	Black
BE	Beige



Timber

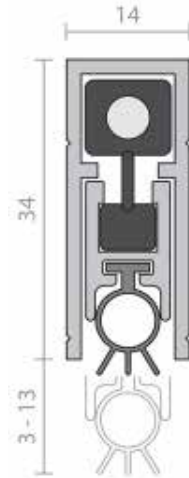


Raven RP8SI

•A concealed, automatic door bottom seal that is spring loaded to lift clear of the floor when the door is opened. It is acoustically designed, featuring silicon gaskets for medium temperature smoke and fire door applications. Operated automatically by pressure against the door jamb on its adjustable strike. RP8Si can also be fitted into the bottom rail of a metal door by the fabricator. Has a level adjustment to achieve an optimum seal.

Part No.	Available Lengths
RP-8SI	1220mm, 1070mm, 920mm, 820mm, 600mm, 380mm to 295mm(min). Seals cut back to exact size.

Color Code	Description	Color Code	Description
A	Anodised	B	Bronze
C	Clear		

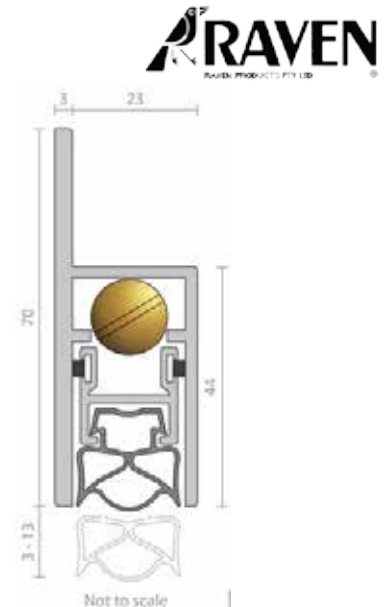


Raven RP38SI

• A heavy duty, automatic door bottom seal that is spring loaded to lift clear of the floor when the door is opened. It is self levelling and reversible for left and right handed operation. Acoustically designed, it features a silicon gasket for medium temperature smoke and fire door applications. Doubles as a kick plate when semi-morticed. Operated automatically by pressure against the door jamb or stop on its adjustable brass strike

Part No.	Available Lengths
RP-38SI	1500mm, 1220mm, 1070mm, 920mm, 610mm, 450mm to 300mm(min). Seals cut back to exact size.

Color Code	Description	Color Code	Description
B	Bronze	S	Silver

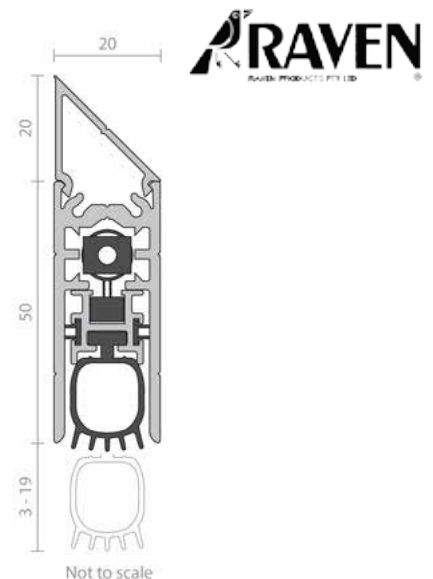


Raven RP99SI

A heavy duty, adjustable, automatic door bottom seal that is spring loaded to lift clear of the floor when the door is opened. Acoustically designed, with a silicon gasket for medium temperature smoke applications. Operated automatically by pressure on the door jamb or stop by its adjustable strike. Includes aluminium cover for concealed fixing for face mounted installation.

Part No.	Available Lengths
RP-99	1220mm, 1070mm, 920mm, 820mm, 720mm, 600mm, 380mm to

Color Code	Description	Color Code	Description
A	Anodised	S	Satin
C	Clear	B	Bronze



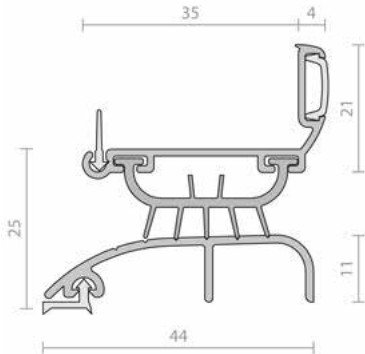


Raven RP4

A storm proof door bottom seal and threshold plate that is ideal where maximum weather protection is required. The RP4 multi-blade seal defies rain infiltration.

Can be fitted to the square cut bottom of a door without removing the door, provided there is an existing gap of 25mm. It is quick and easy to fit to both door and sill.

The sealing section is slotted for adjustment.



Part No.	Available Lengths
RP-4	Available in stock lengths.

Color Code	Description	Color Code	Description
A	Anodised	G	Gold
C	Clear	B	Bronze



Raven RP89

- A rigid and flexible co-polymer weather and energy seal. RP89 suits leading proprietary brand, hollow channel aluminium door suites. Concealed in the bottom of aluminium butt hinged doors or the bottom and head of pivot doors, RP89's unique design accommodates OEM and retrofit applications.

When used in conjunction with a Raven threshold plate an excellent weather and energy seal is achieved.



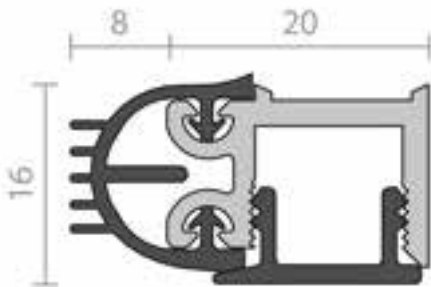
Part No.	Available Lengths
RP-89	1000mm



Raven RP10

- An effective acoustic door stop frame seal which is quick and easy to install on plain or rebated door frames. Multi-fin design for improved noise and energy sealing. The minimum deflection design creates maximum sealing efficiency.

RP10 can be mitred or butt jointed for a neat finish. Adjustable by large concealed fixing slots for a precision fit. RP10 has a tamper resistant, rigid PVC cover strip (SE). Can be used on all four sides of the door to form a bulk head seal.



Part No.	Available Lengths
RP-10	Available in door set sizes or stock lengths.

Color Code	Description	Color Code	Description
C	Clear	B	Bronze

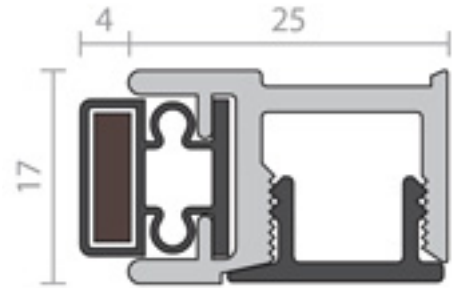
Raven RP85



- A refrigeration type vinyl magnetic strip in an anodised aluminium housing with concealed fixings. RP85 provides a tight seal for steel clad doors and jambs and may be used as a stop. For timber doors, a thin steel strip can be attached to the door face. The magnetic strip has sufficient closing strength that latches may not be required.

Part No.	Available Lengths
RP-85	Available in stock lengths.

Color Code	Description	Color Code	Description
A	Anodised	C	Clear



Raven RP129

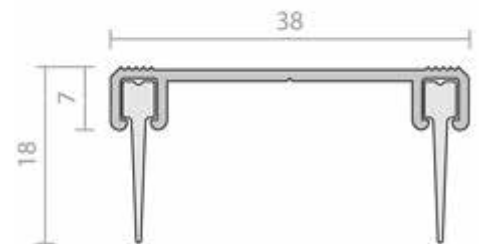


- A heavy duty medium temperature smoke and weather door bottom seal. The RP129Si can be checked out or drilled to accommodate pivot hardware whilst still providing a continuous seal.

Use in conjunction with RP130Si and a Raven threshold plate (essential).

Part No.	Available Lengths
RP-129	Available in stock lengths.

Color Code	Description	Color Code	Description
A	Anodised	C	Clear



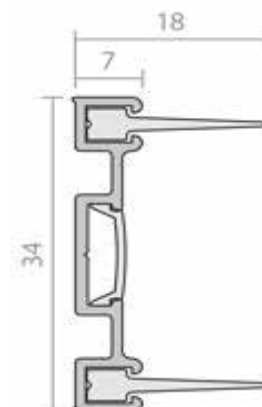
Raven RP130

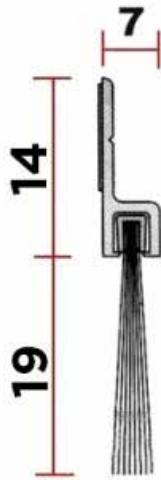


- A heavy duty medium temperature smoke seal designed to be fitted to the door head & jamb reveal of pivot door frames. May also be installed to the door stile edges and to one leaf of plain meeting stiles of timber double pivot doors. The aluminium body of the seal can be checked out or drilled to accommodate pivot hardware and latch ware at the meeting stile.

Part No.	Available Lengths
RP-130	Available in door set sizes or stock lengths.

Color Code	Description	Color Code	Description
A	Anodised	C	Clear





Raven RP2A

• A nylon brush strip seal, with an aluminium carrier, that mounts to the inside or outside of a door. It is ideal for sliding or double acting doors. When fitted by the fabricator, the seal can be concealed inside of an aluminium door suite bottom rail.

Part No.	Available Lengths
RP-2A	915mm

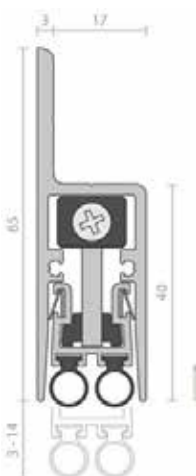


Raven RP2B

• A nylon brush strip seal with an anodised aluminium carrier that mounts to the inside or outside of a door.

Used in conjunction with Raven threshold plates.

Part No.	Available Lengths
RP-2B	Available in stock lengths.



Raven RP126Si

• An adjustable, automatic door bottom seal that is spring loaded to lift clear of the floor when the door is opened. Acoustically designed, featuring extruded silicon gaskets for medium temperature smoke applications. RP126Si is operated automatically by pressure on the door jamb or stop by its adjustable strike.

Part No.	Available Lengths
RP-126Si	1500mm, 1220mm, 1070mm, 920mm, 820mm, 600mm to 305mm(min). Seals cut back to exact size.

Color Code	Description	Color Code	Description
C	Clear	s	Silver

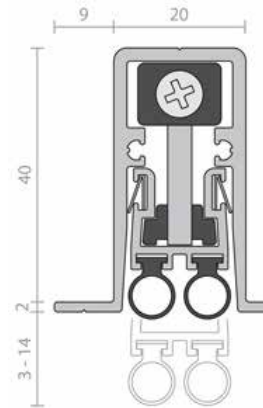
Raven RP127Si



- An adjustable, automatic door bottom seal that is spring loaded to lift clear of the floor when the door is opened. Acoustically designed, featuring extruded silicon gaskets for medium temperature smoke applications. It is operated automatically by pressure on the door jamb by its adjustable strike.

Part No.	Available Lengths
RP-127Si	1500mm, 1220mm, 1070mm, 920mm, 820mm, 600mm to 305mm(min). Seals cut back to exact size.

Color Code	Description	Color Code	Description
C	Clear	S	Silver



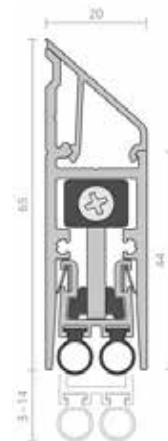
Raven RP128Si



- An adjustable, automatic door bottom seal that is spring loaded to lift clear of the floor when the door is opened. Acoustically designed, featuring extruded silicon gaskets for medium temperature smoke applications, the RP128Si is operated automatically by pressure on the door stop by its adjustable strike. Utilising an aesthetic extruded aluminium cover for concealed fixing.

Part No.	Available Lengths
RP-128Si	1500mm, 1220mm, 1070mm, 920mm, 820mm, 600mm to 305mm (min). Seals cut back to exact size.

Color Code	Description	Color Code	Description
B	Black Anodised	S	Silver



Raven RP74F

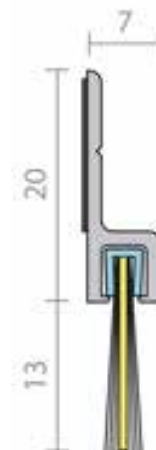


- A nylon brush strip seal that is ideal for sliding or double acting doors. Can also be used for the stiles of tilt-up doors. The brush houses a unique medium temperature fin, which is effective in the sealing of medium temperature smoke, noise and weather.

Used in conjunction with Raven threshold plates

Part No.	Available Lengths
RP-74F	Available in stock lengths.

Color Code	Description	Color Code	Description
B	Bronze	S	Sliver



Dow Corning® 680 Sanitary Sealant

• Ideal for use in and around bathrooms, laundry sinks, ceramic tiles, vitreous china, enamel painted surfaces and fiberglass spa units

Part No.	Description	Box Qty.
DC-680••	Dow Corning® 680 Sanitary Sealant	20

Color Code	Description	Color Code	Description
CL	Clear	WH	White
IV	Ivory		



DOW CORNING

Dow Corning® 688 Silicone

•Dow Corning® 688 silicone glazing and cladding sealant is a one part neutral cure silicone sealant designed. For a wide range of glazing and weather proofing.

Part No.	Description	Box Qty.
DC-688••	Dow Corning® 688	20

Color Code	Description	Color Code	Description
CL	Clear	BL	Black



DOW CORNING

Dow Corning 791 Silicone - Building Sealant

•Dow Corning 791 silicone building sealant is a specified, premium performance weathersealing product specifically designed for general glazing and weathersealing in curtainwall and building facades.

Part No.	Description	Box Qty.
DC-791••	Dow Corning 791	24

Color Code	Description	Color Code	Description
BL	Black	WH	White
GR	Grey		



DOW CORNING

Dow Corning 795 Silicone

•795 silicone building sealant is a one part, high performance architectural grade sealant for use in structural glazing applications..

Part No.	Description	Box Qty.
DC-795••	Dow Corning 795	20



DOW CORNING

DOW CORNING

Dow Corning 995 Silicone - Structural Adhesive

• Dow Corning 995 structural silicone is a one-component, self-priming, shelf-stable, neutral-cure, elastomeric adhesive specifically formulated for silicone structural glazing, and exhibits excellent unprimed adhesion to most building substrates.



Part No.	Description	Box Qty.
DC-995••	Dow Corning 995 Silicone - Structural Adhesive	12

**Dow Corning
Silicone Primer**

Dow Corning Silicone Primer/Adhesion Promoter

Part No.	Description	Box Qty.
DC-1200S	Dow Corning Silicone Primer/Adhesion Promoter	12



Sika Acrylic - Filler

• Sika Acrylic is a flexible, one component, water based acrylic joint sealant and gap filler, for interior use. Sika Acrylic is suitable for sealing low movement joints around brick, concrete, plasterboard, windows, doors, ceramic tiles and filling of cracks prior to painting. Sika Acrylic adheres to glass, wood, aluminium, brick, concrete, plasterboard, ceramic and painted surfaces.

Part No.	Description	Box Qty.
SI-ACRYLIC	Sika Gap Filler	20



Sika Pro Sausage

• Sikaflex-PRO is a one component, thixotropic, polyurethane based joint sealant. It cures under the influence of atmospheric moisture to form an elastomeric material with adhesive properties, in some cases without the need for priming of the substrate.

Part No.	Description	Box Qty.
SI-PROSO202••	Sikaflex Pro 600ml Sausage	20

Color Code	Description	Color Code	Description	Color Code	Description
01	Beige	04	Grey -(Dark)	06	Pale Brown
02	Black	09	Brick Red	08	Redwood
03	Dark Amber	05	White	07	Sandstone

Sikaflex Pro

• Cuttable, sandable and paintable. Ideal for expansion joints and high performance external sealing applications when you require colour selection. Approved for contact with drinking water.

Part No.	Description	Box Qty.
SI-PROCO ••	Sikaflex Pro	20

Color Code	Description	Color Code	Description	Color Code	Description
01	Beige	04DG	Grey -(Dark)	06	Pale Brown
02	Black	04	Grey	08	Redwood
03	Dark Amber	05	White	07	Sandstone



Sikaflex - 11FC

• For sealing and bonding timber, concrete, stone and pavers etc. Approved for contact with drinking water. Cuttable, sandable and paintable.

Part No.	Description	Box Qty.
SI-FLX02C ••	Sikaflex 11FC Tube	20
SI-FLX02S ••	Sikaflex 11FC Sausage	20

Color Code	Description	Color Code	Description
04	Grey	05	White
02	Black	01	Beige



Sikaflex -221

• Excellent for bonding applications, complimented by good sealing capabilities.

Part No.	Description	Box Qty.
SI-FLX10C0 ••	Sikaflex 221	20

Color Code	Description	Color Code	Description
WH	White	BLK	Black
GRY	Grey		



Sikasil WS-305

• Sikasil WS-305 is a neutral curing silicone sealant with high movement capability and excellent adhesion to a wide range of substrates. Sikasil WS-305 is particularly suited as a weather seal for curtain walling and windows.

Part No.	Description	Box Qty.
SI-SIL-305-•••	Sikasil® WS-305	20

Color Code	Description	Color Code	Description
TRAN	Translucent	GREY	Grey
WHT	White	BGE	Beige
BLK	Black		





SikaBond

• Multipurpose construction adhesive. Interior/Exterior, waterproof, paintable. Adheres to most substrates including polystyrene foam

Part No.	Description	Box Qty.
SI-BON/CTG	Sikabond 300ml Tub	20



Sika® Grout GP

SikaGrout GP is a general purpose cementitious grout that is shrinkage compensated. SikaGrout GP is a blend of Portland cement, carefully selected and graded aggregates and admixtures

Part No.	Description	Box Qty.
SI-411533	Sika Grout Rapid Set 20KG	1



Sika Boom

Sika Boom is a one part, multi position, high yield polyurethane adhesive foam.

Sika Boom is used for fixing, insulating and filling connection joints around window and door frames, pipe entries around airconditioning vents and roller blind housings, etc. It is also used to insulate against sound, cold and draughts etc.

Part No.	Description	Box Qty.
SI-78109	Sika Boom High Yield Gun Foam	12
SI-182102	Sika Gun For Sika Boom	1
SI-61841	Sika Boom Cleaner 500MI	12

Sika Sausage Gun

•

Part No.	Description	Box Qty.
SI-182102 ••	Sika Gun WT-250XL 37cm SSG	1



Gator Silicone Gun

•

Part No.	Description	Box Qty.
	Gator Gun	1



DOW CORNING

Dow Corning®
Spacer tape
for Structural Glazing
High Performance
Open Cell PU
Foam Tape

DOW CORNING

“One Brand”

**One Complete
System !**

Dow Corning, the world leader and most trusted name in silicone technology now have a high performance spacer tape to form a complete sealing system.

Specially formulated and coated with a high-grade acrylic adhesive to suit structural glazing applications.

Compatible and recommended for use with all Dow Corning architectural grade silicones.



Available now from :



JP HARDWARE SUPPLIES

www.jphardware.com.au

12 Latitude Blvd

Thomastown VIC 3074

Phone: 03 9939 6888

JP Showcase

• The JP Hardware Showcase sliding track system is intended for a 6mm glass applications. With a range of accessories, the showcase sliding track system offers hassle free installation and obstruction free viewing.

Features

- Security Benefits Via Locking
- Attractive Appearance
- Full & Clear Viewing
- Stainless Steel Roller Wheel



- Acetal Roller Carriage

Specifications

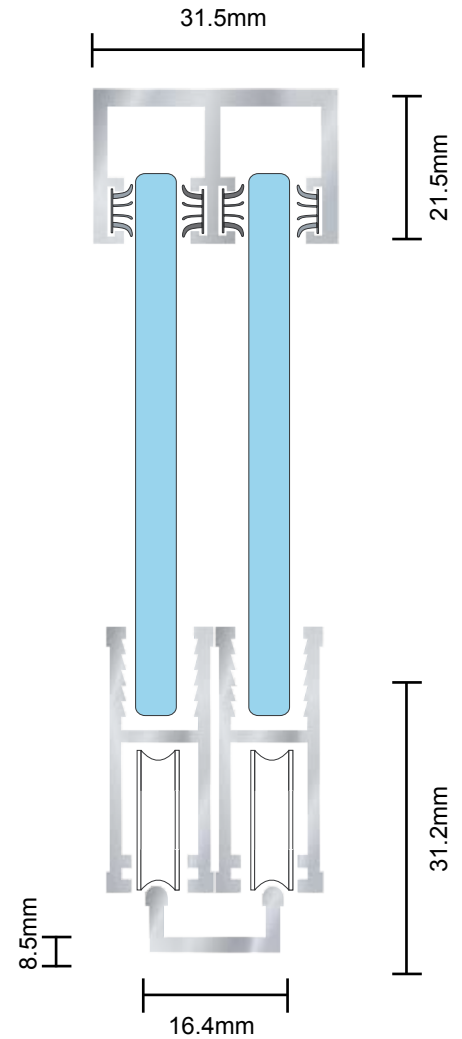
- Glass Height = Opening Height Less 36mm
- Glass Width = Opening Width Divided By 2 + Overlap (mm).

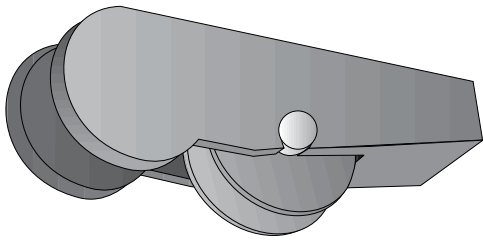
Part No.	Description	Length
JPA-SCHS	Showcase Head Section	3.6 m

Part No.	Description	Length
JPA-SCRS	Showcase Rail Section	3.6 m

Part No.	Description	Length
JPA-SCBT	Showcase Bottom Track	3.6 m

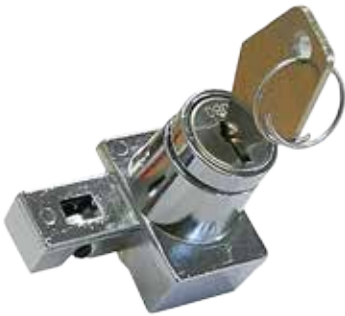
Color Code	Description
002	Natural Anodised





Part No.	Description	Box Qty.
JPR-N1408SGL	Single Roller Adjustable	12

Color Code	Description
SSS	Satin Stainless Steel



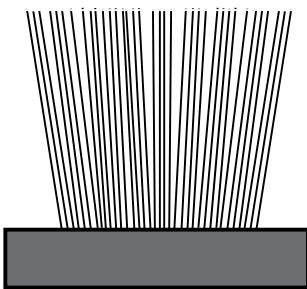
Part No.	Description	Box Qty.
JPH-SC001	Push Button Lock - Non Handed	12

Color Code	Description
SSS	Satin Stainless Steel



Part No.	Description	Box Qty.
AI-JP2303	End Caps	12

Color Code	Description	Color Code	Description
B	Black	G	Grey



Part No.	Description	Length
SC-PB48.350B	4.8 x 3.50mm Woolpile	600 m

Color Code	Description	Color Code	Description
B	Black	G	Grey



Part No.	Description	Length
FP-SCGC	Glazing Channel	40 m

Color Code	Description
	Clear

Self Tapper Phillips Drive Type AB Zinc - Pan Head

Size	6G	8G	10G
1/4	MF-T000606ZP	MF-T000806ZP	
3/8	MF-T000610ZP	MF-T000810ZP	MF-T001010ZP
1/2	MF-T000612ZP	MF-T000812ZP	MF-T001012ZP
5/8	MF-T000616ZP	MF-T000816ZP	MF-T001016ZP
3/4	MF-T000620ZP	MF-T000820ZP	MF-T001020ZP
1"	MF-T000625ZP	MF-T000825ZP	MF-T001025ZP
1-1/4"	MF-T000632ZP	MF-T000832ZP	MF-T001032ZP
1-1/2"	MF-T000638ZP	MF-T000838ZP	MF-T001038ZP
1-3/4"		MF-T000845ZP	MF-T001045ZP
2"	MF-T000650ZP	MF-T000850ZP	MF-T001050ZP



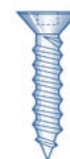
Self Tapper Phillips Drive Type AB Zinc - CSK Head

Size	6G	8G	10G
1/4	MF-T080606ZP	MF-T080806ZP	
3/8	MF-T080610ZP	MF-T080810ZP	MF-T081010ZP
1/2	MF-T080612ZP	MF-T080812ZP	MF-T081012ZP
5/8	MF-T080616ZP	MF-T080816ZP	MF-T081016ZP
3/4	MF-T080620ZP	MF-T080820ZP	MF-T081020ZP
1"	MF-T080625ZP	MF-T080825ZP	MF-T081025ZP
1-1/4"	MF-T080632ZP	MF-T080832ZP	MF-T081032ZP
1-1/2"	MF-T080638ZP	MF-T080838ZP	MF-T081038ZP
1-3/4"	MF-T080645ZP	MF-T080845ZP	MF-T081045ZP
2"	MF-T080650ZP	MF-T080850ZP	MF-T081050ZP
2-1/2"			MF-T081063ZP



Self Tapper Csk Phillips Stainless Steel

Size	6G	8G	10G
3/8	MF-X410610304	MF-X410810304	MF-X411010304
1/2	MF-X410612304	MF-X410812304	MF-X4110123-4
5/8	MF-X410616304	MF-X410816304	MF-X411016304
3/4	MF-X410620304	MF-X410820304	MF-X411020304
1"	MF-X410625304	MF-X410825304	MF-X411025304
1-1/4"	MF-X410632304	MF-X410832304	MF-X411032304
1-1/2"	MF-X410638304	MF-X410838304	MF-X411038304
1-3/4"	MF-X410645304	MF-X410845304	MF-X411045304
2"	MF-X410650304	MF-X410850304	MF-X411050304



Self Tapper Csk Phillips Stainless Steel

Size	8G	10G	10G with 8G Head
3/8	MF-X410810UC304		
1/2	MF-X410812UC304	MF-X411012UC304	MF-X4110128GUC304
5/8	MF-X410816UC304	MF-X411016UC304	
3/4	MF-X410820UC304	MF-X411020UC304	MF-X4110208GUC304
7/8			MF-X4110228GUC410
1"	MF-X410825UC304		



Self Tapper Pan Phillips Stainless Steel

Size	6G	8G	10G
1/4	MF-X400606304	MF-X400806304	
3/8	MF-X400610304	MF-X400810304	MF-X401010304
1/2	MF-X400612304	MF-X400812304	MF-X401012304
5/8	MF-X400616304	MF-X400816304	MF-X401016304
3/4	MF-X400620304	MF-X400820304	MF-X401020304
1"	MF-X400625304	MF-X400825304	MF-X401025304
1-1/4"	MF-X400632304	MF-X400832304	MF-X401032304
1-1/2"	MF-X400638304	MF-X400838304	MF-X401038304
1-3/4"	MF-X400645304	MF-X400845304	MF-X401045304
2"	MF-X400650304	MF-X400850304	MF-X401050304
2-1/2"			MF-X401063304
3"			MF-X401075304

Self Tapper Csk Head Square Dve Stainless Steel

Size	6G	8G	10G
1/2	MF-X410612304SQD	MF-X410812304SQD	MF-X411012304SQD
5/8	MF-X410616304SQD	MF-X410816304SQD	MF-X411016304SQD
3/4	MF-X410620304SQD	MF-X410820304SQD	MF-X411020304SQD
1"	MF-X410625304SQD	MF-X410825304SQD	MF-X411025304SQD
1-1/4"	MF-X410632304SQD	MF-X410832304SQD	MF-X411032304SQD
1-1/2"	MF-X410638304SQD	MF-X410838304SQD	MF-X411038304SQD
2"		MF-X410850304SQD	MF-X411050304SQD
3"		MF-X410875304SQD	

Self Tapper Csk Undercut Head Square Dve S/Steel

Size	8G	10G	10G with 8G Head
1/2	MF-X410812UC304SQD	MF-X411012UC304SQD	MF-X4110128GUC04SQ
3/4	MF-X410820UC304SQD	MF-X411020UC304SQD	

Self Tapper Pan Head Square Dve Stainless Steel

Size	6G	8G	10G
1/2	MF-X410612304SQD	MF-X410812304SQD	MF-X411012304SQD
5/8	MF-X410616304SQD	MF-X410816304SQD	MF-X411016304SQD
3/4	MF-X410620304SQD	MF-X410820304SQD	MF-X411020304SQD
1"	MF-X410625304SQD	MF-X410825304SQD	MF-X411025304SQD
1-1/4"	MF-X410632304SQD	MF-X410832304SQD	MF-X411032304SQD
1-1/2"	MF-X410638304SQD	MF-X410838304SQD	MF-X411038304SQD
2"		MF-X410850304SQD	MF-X411050304SQD
3"		MF-X410875304SQD	

Chipboard Screw Countersunk Phillips S.E.H.

Size	8G	10G
20mm	MF-C0008020ZY	
22mm	MF-C0008022ZY	
25mm	MF-C0008025ZY	
28mm	MF-C0008028ZY	
30mm	MF-C0008030ZY	
32mm	MF-C0008032ZY	
35mm	MF-C0008035ZY	
38mm	MF-C0008038ZY	
40mm	MF-C0008040ZY	
45mm	MF-C0008045ZY	
50mm	MF-C0008050ZY	
57mm	MF-C0008057ZY	
65mm	MF-C0008065ZY	MF-C0010065ZY
75mm		MF-C0010075ZY
100mm		MF-C0010100ZY
125mm		MF-C0010125ZY
150mm		MF-C0010150ZY



Driver Bits

Part No.	Size	Length	Hex A/F	10G
Phillips				
MF-P026050B	#2	50MM	1/4	10
MF-P026075B	#2	75MM	1/4	10
MF-P026100B	#2	100MM	1/4	10
MF-P026150B	#2	150MM	1/4	10
Square Drive				
MF-P13601025B	#1	25MM	1/4	10
MF-P13601050B	#1	50MM	1/4	10
MF-P13601075B	#1	75MM	1/4	10
MF-P13602025B	#2	75MM	1/4	10
MF-P13602050B	#2	50MM	1/4	10
MF-P13602075B	#2	75MM	1/4	10
MF-P13602100B	#2	100MM	1/4	10
MF-P13602150B	#2	150MM	1/4	10





Dome Head Open Rivet Aluminium/Aluminium

Size	Part No.	Diameter	Max Grip	Length
4-1	MF-R00401AA	3.2mm	1.6mm	4.8mm
4-2	MF-R00402AA	3.2mm	3.2mm	6.4mm
4-3	MF-R00403AA	3.2mm	4.8mm	8.0mm
4-4	MF-R00404AA	3.2mm	6.4mm	9.6mm
4-5	MF-R00405AA	3.2mm	8.0mm	11.0mm
4-6	MF-R00406AA	3.2mm	9.6mm	12.7mm
4-8	MF-R00408AA	3.2mm	12.7mm	16.0mm
4-10	MF-R00410AA	3.2mm	16.0mm	19.0mm
4-12	MF-R00412AA	3.2mm	19.0mm	24.0mm
5-2	MF-R00502AA	4.0mm	3.2mm	7.0mm
5-3	MF-R00503AA	4.0mm	4.8mm	8.5mm
5-4	MF-R00504AA	4.0mm	6.4mm	10.2mm
5-6	MF-R00506AA	4.0mm	9.6mm	13.0mm
5-8	MF-R00508AA	4.0mm	12.7mm	16.5mm
5-10	MF-R00510AA	4.0mm	16.0mm	19.5mm
5-12	MF-R00512AA	4.0mm	19.0mm	24.0mm

Countersunk Head Open Rivet Aluminium/Aluminium

Size	Part No.	Diameter	Max Grip	Length
4-4	MF-R01404AAC	3.2mm	6.4mm	9.6mm
4-6	MF-R01406AAC	3.2mm	9.6mm	12.7mm
5-4	MF-R01504AAC	4.0mm	6.4mm	10.2mm

Cyclone Fiberglass Mesh



- Screening windows and doors in all areas

Part No.	Description	Length	Part No.	Description	Length
CY-529214	610 mm	50 m	CY-529542	1520MM	50 m
CY-529306	760 mm	50 m	CY-529573	1830MM	50 m
CY-529344	810 mm	50 m	CY-529580	2100MM	50 m
CY-529382	910 mm	50 m	CY-529597	2450MM	50 m
CY-529504	1220 mm	50 m			



Cyclone Aluminum Mesh



- Screening windows and doors where extra strength is required.

Part No.	Description	Length
CY-500732	610 mm	30 m
CY-500329	760 mm	30 m
CY-500855	810 mm	30 m
CY-500886	910 mm	30 m
CY-500978	1220 mm	30 m
CY-500985	1520 mm	30 m



Cyclone TuffScreen Mesh



- Screening windows and doors in tough & demanding conditions.

Part No.	Description	Length
CY-503542	910 mm	14 m
CY-503627	1220 mm	14 m



Cyclone Pet Mesh



- Security doors and windows requiring very tough protection.

Part No.	Description	Length
CY-537936	910 mm	30 m
CY-537943	1220 mm	30 m





Cyclone Duraview Mesh

- Screening windows, doors, vents.

Part No.	Description	Length
CY-540011	610 mm	30 m
CY-540042	910 mm	30 m
CY-540066	1220 mm	30 m
CY-540073	1520 mm	30 m
CY-540097	2100 mm	30 m



Cyclone Stainless Steel Wire Mesh

- Screening windows, doors, vents, etc

Part No.	Description	Length
CY-505010	610 mm	30 m
CY-505027	760 mm	30 m
CY-505041	910 mm	30 m
CY-505058	1220 mm	30 m
CY-505072	1520 mm	30 m



PVC Hollow Spline

Part No.	Description	Length
JPS-HS 4.0	Spline Hollow 4Mm	300 m
JPS-HS 5.0	Spline Hollow 5Mm	300 m
JPS-HS 5.3	Spline Hollow 5.3Mm	300 m
JPS-HS 5.7	Spline Hollow 5.7Mm	300 m
JPS-HS 6.0	Spline Hollow 6Mm	300 m



Foam Spline

Part No.	Description	Length
JPS-FS4.0	Spline Foam 4Mm	500 m
JPS-FS4.8	Spline Foam 4.8Mm	500 m
JPS-FS5.0	Spline Foam 5Mm	500 m
JPS-FS5.3	Spline Foam 5.3Mm	500 m
JPS-FS5.7	Spline Foam 5.7Mm	450 m
JPS-FS6.0	Spline Foam 6Mm	450 m

JPH Touch Up Paint

- For powder coating, roofs & gutters , doors and security doors.

Part No.	Description	Box Qty.
HO-TP200**	Touch Up Paint	12

Colour	Description	Colour	Description
	Anodic Bronze		Iron Bark
	Anotec Xt D/grey		Magnolia
	Apo Grey		Merino
	Arrowhead		Mist Green
	Barley		Mountain Blue
	Birch Grey		New Hammersley Brown
	Black Gloss		Notre Dame
	Black Matt		Off White
	Black Satin		Olde Pewter
	Bronze / Light		Oyster
	Bronze / Medium		Pearl White
	Caulfield Green		Pottery
	Charcoal		Primrose
	Claret		Rivergum
	Clear Anodised		Signal Red
	Doeskin		Slate Grey
	Federation Red		Smooth Cream
	Grey Nurse		Stone
	Hawthorn Green / Classic		Stone Beige
	Heritage Green		Stromboli
	Heritage Red Oxide		Transformer Grey
	Horizon Blue		Wizard
	Ivory Coast / Almond		White Birch



JPH Super Etch Primer

- Super etch primer helps primers and top coats adhere to bare steel, galvanized steel and aluminium. Super etch primer is also suitable for painted surfaces.

Part No.	Description	Box Qty.
HO-TP300ET	Super Etch Primer	12



Glass Cleaner

- Convenient spray can, Professional strength, Leave a clean sparkling surface.

Part No.	Description	Box Qty.
HO-GC 500G	Glass Cleaner	12



Window Protection Film Blue

UV stable adhesive film for protection of windows and doors during construction. Protect 'n' peel has been used extensively to protect glass and glazing during construction. Suitable for both high-rise developments and domestic dwellings.

- Protects both glass and frames of windows and doors
- UV stable film provides up to 3 months protection.
- Removes cleanly
- Distinctive Blue colour
- Can Be Cut To Order

Part No.	Description	Length.
GT-8M500610100BU	Window Protection Film 610 mm	100 m
GT-8M501210100BU	Window Protection Film 1220 mm	100 m

PU Dow Corning Spacer Tape

•Dow Corning spacer tape for structural glazing. Open-cell polyurethane foam tape with double sided acrylic adhesive. Pre-approved and compatible with all important Dow Corning high performance silicones.

Part No.	Thickness	Width	Length
GT-8DC503	3.2mm	6-9-12	7.3 m
GT-8DC504	4.8mm	6-9-12	7.3 m
GT-8DC506	6.4mm	6-9-12	7.3 m
GT-8DC509	9.5mm	6-9-12	7.3 m
GT-8DC503	12.5mm	6-9-12	7.3 m



PVC Tape (Foam) Single Sided

•PVC Closed Cell Single Sided Foam Tape - Soft, Medium and Hard Grades
Colours available: Black and Grey

Various sealing, cushioning and vibration dampening applications. Medium - Hard grade suited for aluminium windows. Resists wear and abrasion. Insulates against temperature. "Swirl-Free" foam that won't move, twist or displace when penetrated by mechanical fasteners. Foam density permits clean die-cutting. (Not all thicknesses available for certain densities. Contact JP Hardware for further information) * All Widths Available

Part No.	Description	Part No.	Description
•••	1.6 mm	•••	9.5mm
•••	3.2 mm	•••	12.7mm
•••	4.8 mm		19 mm
•••	6.4 mm		

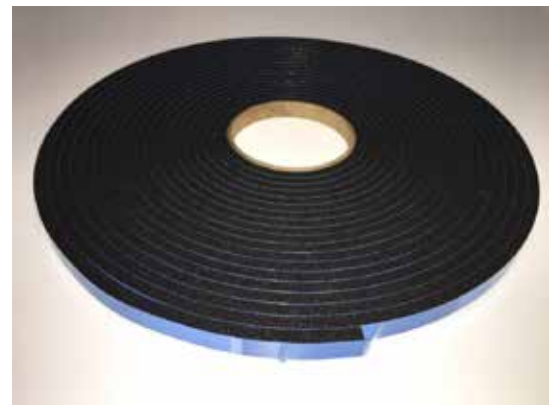


PVC Tape (Foam) Double Sided

•PVC Closed Cell Double Sided Foam Tape - Medium and Hard Grades
Colour: Black

Medium suitable for low-rise glazing applications and Hard grade is an economical spacer tape alternative for structural glazing. Both come with superior solvent based acrylic adhesive for excellent adhesion to steel, glass, aluminium, painted metal and vinyl. *Other Width Available on Request

Part No.	Description	Width	Part No.	Description	Width
•••	1.6 mm	9-12	•••	6.4mm	9-12
•••	3.2 mm	9-12	•••	9.5mm	9-12
•••	4.8 mm	9-12			



Mirror Tape

•Double coated polyethylene foam tape designed for mirror mounting, sealing, gasketing. Comes with a high performance acrylic adhesive.

Part No.	Description	Length
GT-80616181633	1.6 mm x 18mm	33 m
GT-806081832165S	3.2 mm x 18mm	16.5 m



Protection Tape



Part No.	Description	Length.
GT-8PVCPROT 24B	24mm Protection Tape - Black	90 m
GT-8PVCPROT 48B	48mm Protection Tape - Black	90 m
GT-8PVCPROT 72B	72mm Protection Tape - Black	90 m
GT-8PVCPROT 96B	96mm Protection Tape - Black	90 m

Masking Tapes

General Purpose Masking Tape



Part No.	Description	Length
GT-8M1830018	18mm	50 m
GT-8M1830024	24mm	50 m
GT-8M1830048	48mm	50 m
GT-8M1830072	72mm	50 m

Foil Tape

High performance foil tape designed for use as a vapor seal on aluminium faced insulation products.



Part No.	Description	Length
GT-81529L0048	48mm	50 m
GT-81529L0072	72mm	50 m

Duct Tape



Part No.	Description	Length
GT-9DUCT004851	Joining/Sealing Duct Tape - Silver 48mm x 30m	30 m

3M VHB Tapes

3M VHB General Purpose - Clear

3M VHB Clear tape is ideal for transparent materials or wherever a clear bond is needed, effectively replacing screws, rivets, and studs when bonding materials; resulting in a permanent hold and clean appearance. This tape's clear construction is ideal for applications such as sealing skylights, glass, metals.

Thicknesses: -0.5mm, 1.1mm

3M VHB Cladding - Grey

3M VHB Grey tape is a conformable, double-sided, pressure-sensitive, closed-cell acrylic foam tape with a PE film liner. Bonds high and medium surface energy substrates.

Provides handling convenience, cushioning, damping, and impact resistance. Plasticizer resistant. Ideal for cladding panels, metals, polycarbonate.

Thicknesses:-1.1mm, 2.3mm



Packing Tape

Bundling of products etc. Security doors, aluminium lengths.

Labelling on security doors. Does not leave sticky residue

Part No.	Description	Length.
WR-9PVC12YELLOW	12 mm PVC Packing Tape	66 m
WR-9PVC24YELLOW	24 mm PVC Packing Tape	66 m



Green Glazing Protection Pads

Diecut from very hard UV resistant PVC foam.

Used in-between glass and/or aluminium for protection, leaves no residue.

Part No.	Description
GT-8G1024	Green Glazing Protection Pads

